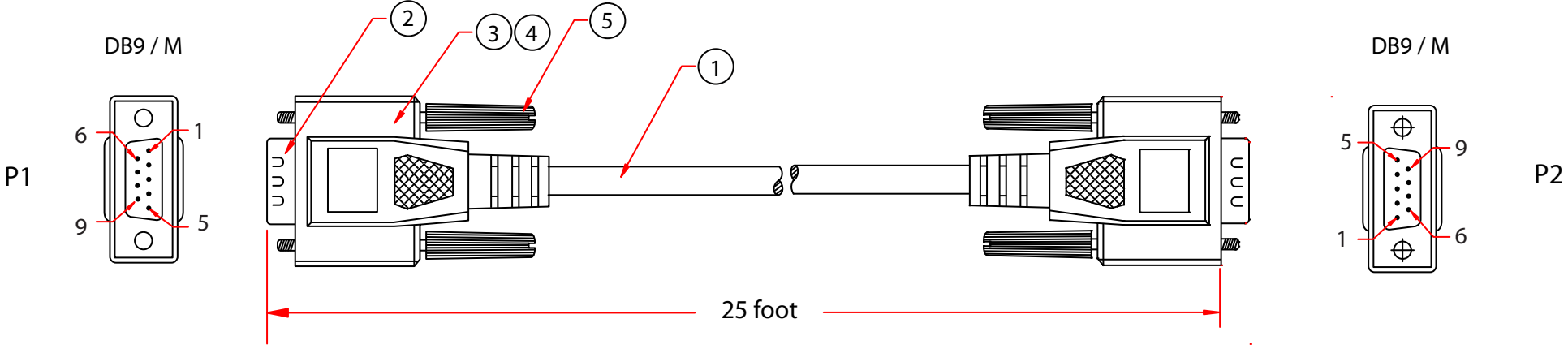


Rev.	Description	Date
A		09-2019



Pin Assignment		
DB9 Male		DB9 Male
1	_____	1
2	_____	2
3	_____	3
4	_____	4
5	_____	5
6	_____	6
7	_____	7
8	_____	8
9	_____	9
G	_____ Drain _____	G

RoHS

6		Item Number:	10D1-03125
5	Molded Thumbscrew,#4-40, Beige	Title:	Serial Cable, DB9 Male, 9 Conductor, 1:1, 25 foot
4	Outer Molded PVC Beige		
3	Inner Molded LD-PE Transparent	Drawn by:	JL
2	DB9 Male, w/ Gold Plating on Contacts		
1	UL2464 Cable, 9C + Drain, Single Shielded with AL-Foil, Beige Outer PVC Jacket	Approved by:	MAC
No.	Specifications		
		ID:	44

