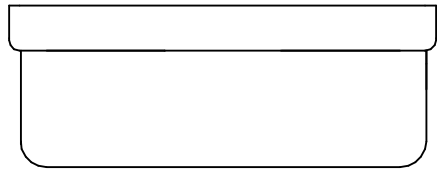
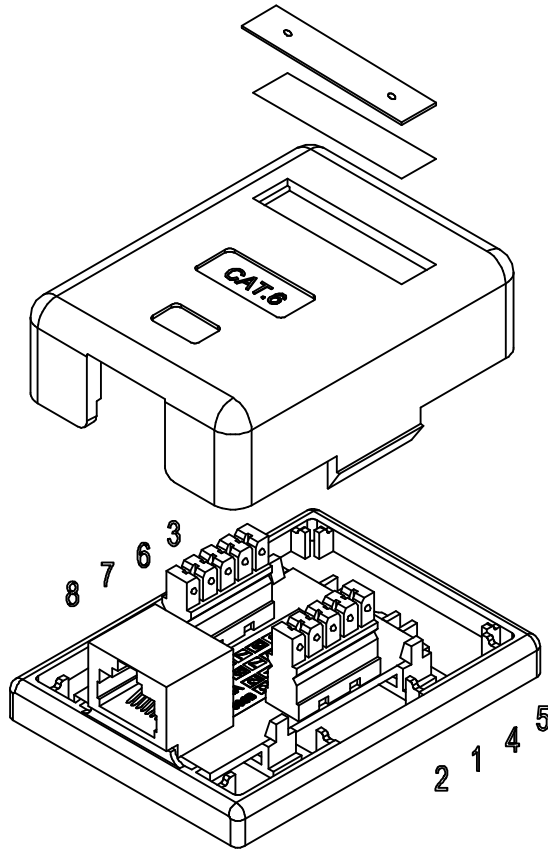
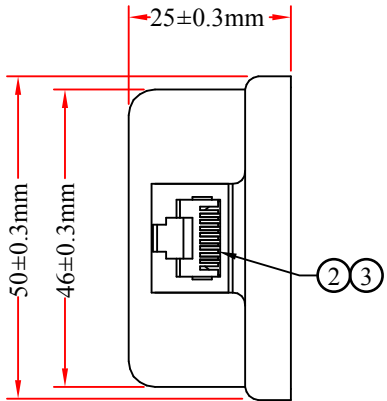
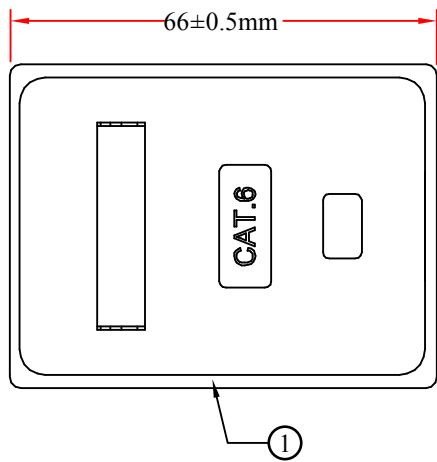


REV.	DESCRIPTION	DATE
A		08-2012



RoHS



Meets Cat.6 EIA/TIA 568B.2 Standard

Electrical Specification:

- Insulation Resistance:500M ohms(min.)
- Contact Resistance:20M ohms(max.)
- Current Rating:1.5Amps
- DC Resistance:0.1 ohm(max.)
- Withstanding Voltage:1000 VAC RMS@60Hz/1min.

Mechanical Specification:

- IDC Punch Down Cycle:Over 2500 Cycles(min.)
- RJ45 Jack Insertion Cycle:Over 2000 Cycles(min.)
- Operation Temperature:-40 to 70 degree/C

Color coding information

- | | |
|-----------|-----------|
| T568B: | T568A: |
| 1---WH/OR | 1---WH/GN |
| 2-----OR | 2-----GN |
| 3---WH/GN | 3---WH/OR |
| 4-----BL | 4-----BL |
| 5---WH/BL | 5---WH/BL |
| 6-----GN | 6-----OR |
| 7---WH/BR | 7---WH/BR |
| 8-----BR | 8-----BR |

3	RJ45 Jack, 8P8C 50 Micro Inches Gold Plated
2	UL94V-0 Approval PCB
1	UL94V-0 Approval ABS Body,White Color
NO.	SPECIFICATIONS
BOM LIST	

ITEM NUMBER	300-613SE		DRAWER	JL
TITLE	CAT6 Single Surface Mount Box, Female, Unshielded		CHECKED	
MATERIAL	SCALE		APPROVED	
REV.	A	UNIT	INCH	
DRAWING NO:				