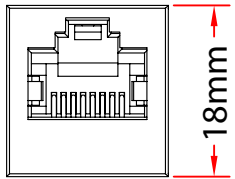
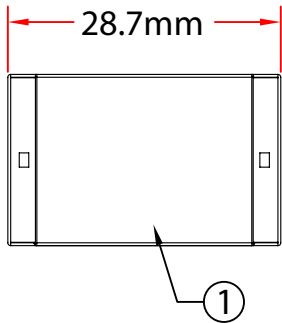
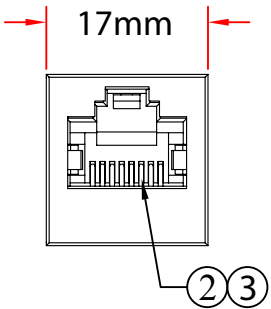
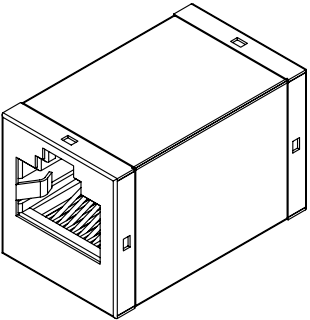
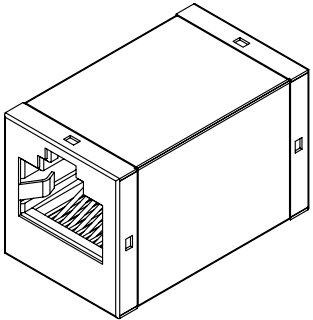


REV.	DESCRIPTION	DATE
A		08-2012
B		

RoHS
Compliant



Performance:

Meets Cat.5e EIA/TIA 568B.1 Standard

Electrical Specification:

Insulation Resistance:500M ohms(min.)

Contact Resistance:20M ohms(max.)

Current Rating:1.5Amps

DC Resistance:0.1 ohm(max.)

Withstanding Voltage:1000 VAC RMS@60Hz/1min.

Mechanical Specification:

RJ45 Jack Insertion Cycle:Over 2000 Cycles(min.)

Operation Temperature:-40 to 70 degree

ITEM NUMBER	301-C50S		DRAWER	JL
TITLE	CAT5E (RJ45) Female / Female Inline Shielded Coupler, Silver		CHECKED	
MATERIAL	SCALE		APPROVED	
REV.	A	UNIT	INCH	

3	RJ45 Jack, 8P8C, 50 Micro Inch Gold Plated Contacts
2	UL94V-0 Approval PCB
1	UL94V-0 Approval ABS Body, Silver Color
NO.	SPECIFICATIONS
BOM LIST	

