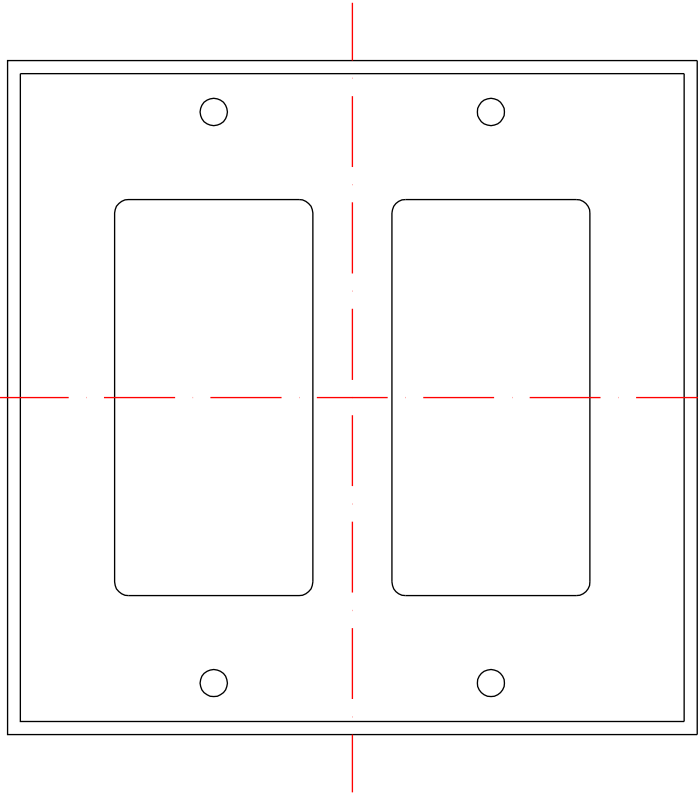
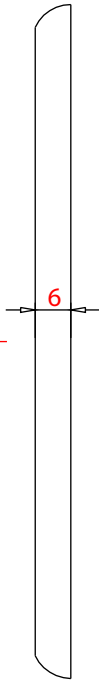
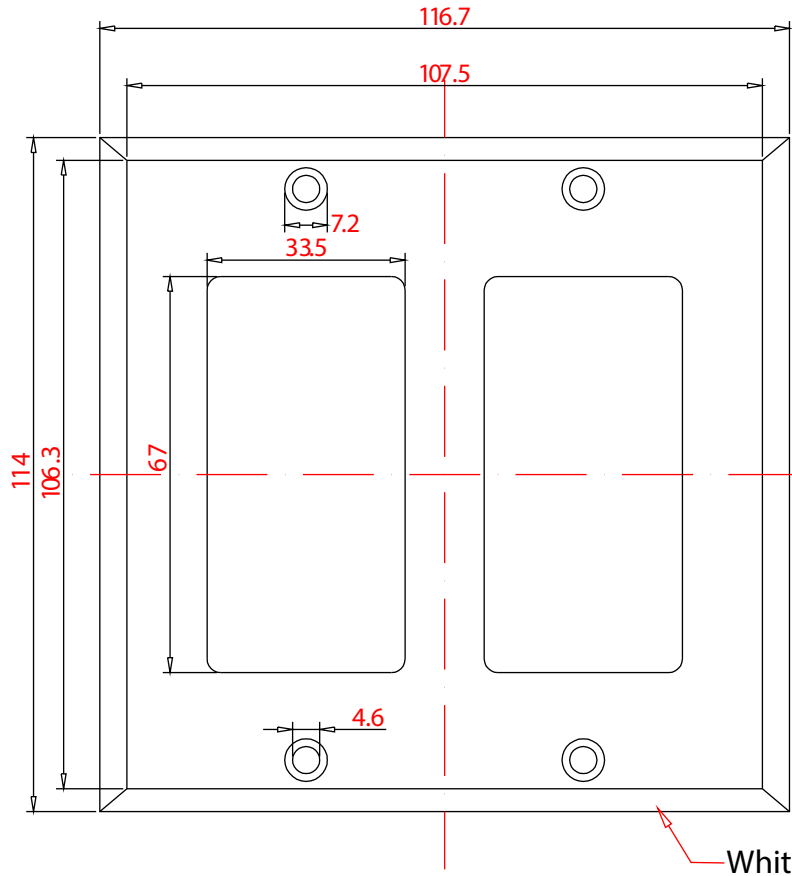
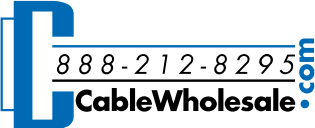


Rev.	Description	Date
A		04-2019

RoHS



Item Number:	302-2-W	
Title:	Decora Wall Plate, White, 2 Hole, Dual Gang	
Drawn by:	JL	
Approved by:	MAC	
ID:	232	

No.	Specifications
-----	----------------