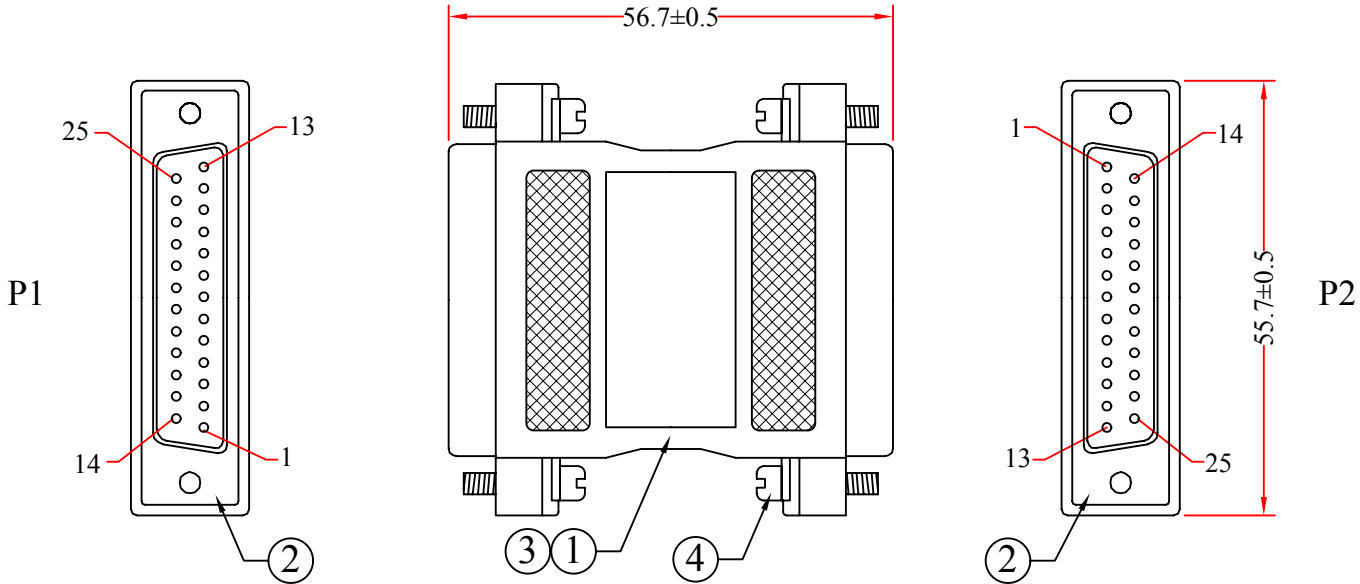


REV.	DESCRIPTION	DATE
A		01-2014

RoHS



Pin Assignment		
P1		P2
1	_____	1
2	_____	2
3	_____	3
4	_____	4
) 1:1	
23	_____	23
24	_____	24
25	_____	25
Shell	_____	Shell

4	Screw 4*12.5mm,#4-40, with Pad
3	Beige Molded PVC Hood
2	DB25P Male ,Gold Flash on Contacts, Insulation Blue
1	UL1061 26AWG Wire
NO.	SPECIFICATIONS
	BOM LIST

ITEM NUMBER	30D3-21400		DRAWER	JL
TITLE	DB25 Coupler / Gender Changer, DB25 Female to DB25 Female		CHECKED	
MATERIAL	SCALE		APPROVED	
REV.	A	UNIT	MM	
DRAWING NO:				