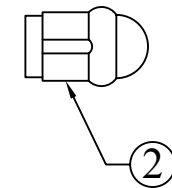
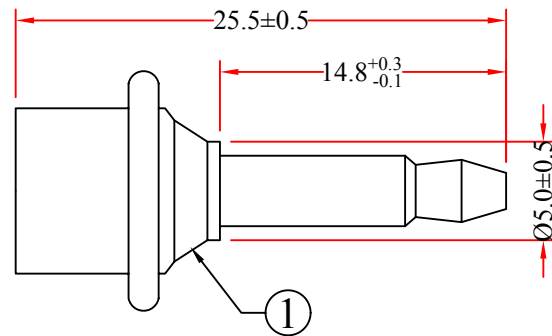
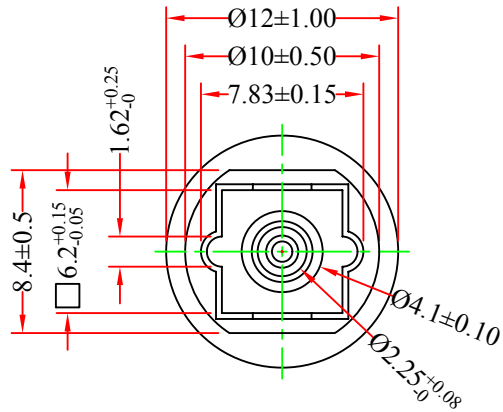


RoHS

REV.	DESCRIPTION	DATE
A		11-2012



Toslink Female to 3.5mm Mini Optical Male Adapter

		ITEM NUMBER	30F2-71200		DRAWER	JL
		TITLE	Digital Audio Adapter,Digital Optical (Toslink) Female to 3.5mm Mini Optical Male		CHECKED	
		MATERIAL		SCALE		
3		REV.	A	UNIT	MM	
2	Protect CAP,Transparent PVC	DRAWING NO:				
1	Plug Body: PBT+G30% / Black, Pin:Brass/Gold Plated			 888-212-8295.com CableWholesale.com		
NO.	SPECIFICATIONS					
BOM LIST						