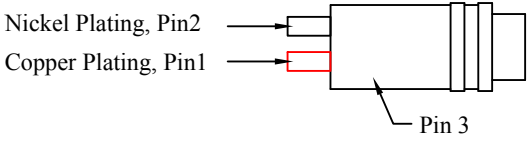
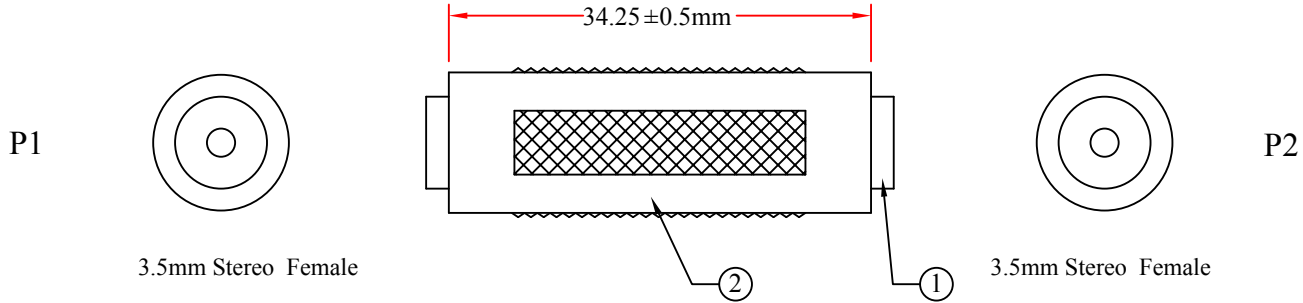


RoHS

REV.	DESCRIPTION	DATE
A		08-2012



Pin Assignment	
P1	P2
1 _____	1
2 _____	2
3 _____	3

NOTES:
 1. Electrical Test:
 (1) 100% Open Short & Miswire Test.
 (2) Insulation Resistance 1 MΩ MIN.

ITEM NUMBER	30ST-STFF			DRAWER	JL
TITLE	3.5mm Stereo Coupler, Female / Female			CHECKED	
				APPROVED	
MATERIAL		SCALE			
REV.	A	UNIT	INCH		
DRAWING NO:				 888-212-8295.com	

4	
3	
2	Black Molded PVC
1	3.5mm Stereo Female ,Shell: Nickel Plated
NO.	SPECIFICATIONS
BOM LIST	