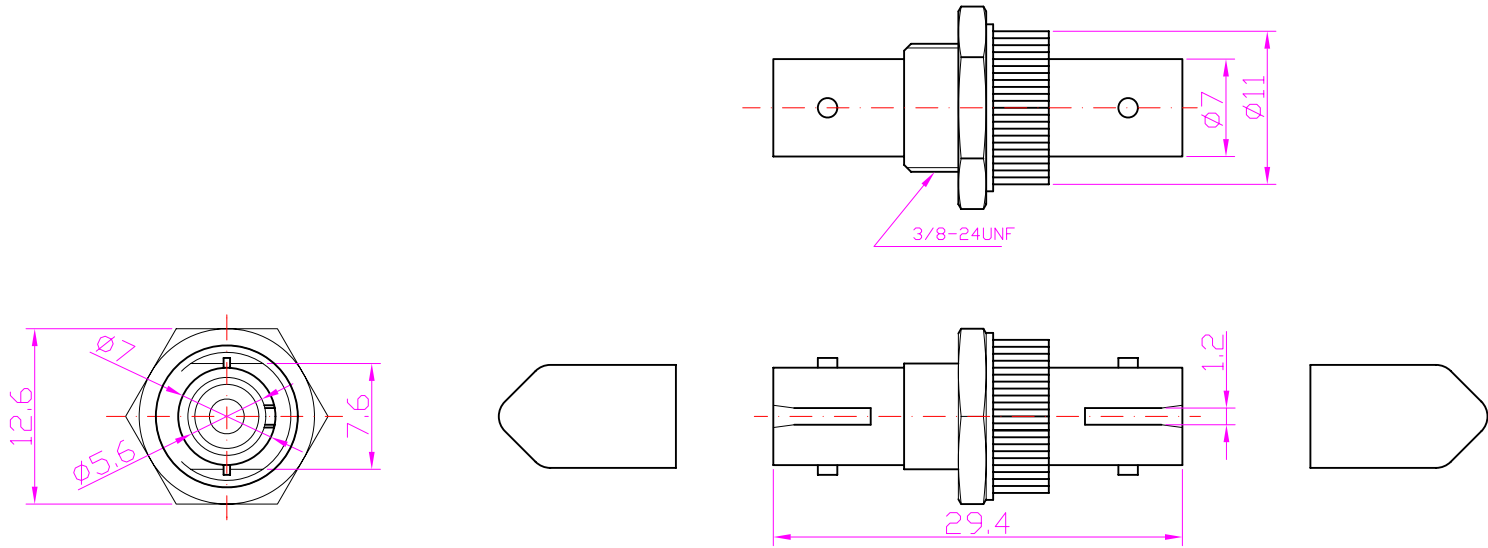


REV.	DESCRIPTION	DATE
A		04-2016



RoHS

- Specification:
1. Adapter: MM, Metal
 2. Sleeve: Zirconia
 3. Dust Cap: PVC UL94 HB, Color: Black/Red
 4. Insertion: $\leq 0.2\text{dB}$
 5. Durability(500 Mating): 0.2dB Max Increase
 6. Operating Temperature: -40~+85 degree Celsius

ITEM NUMBER	31F2-TT400			DRAWER	JL
TITLE	ST Adapter, MM, Zirconia sleeve, Metal			CHECKED	
MATERIAL		SCALE		APPROVED	
REV.	A	UNIT	MM		

1	
NO.	SPECIFICATIONS
	BOM LIST

DRAWING NO:	
ID(NO.)	265

