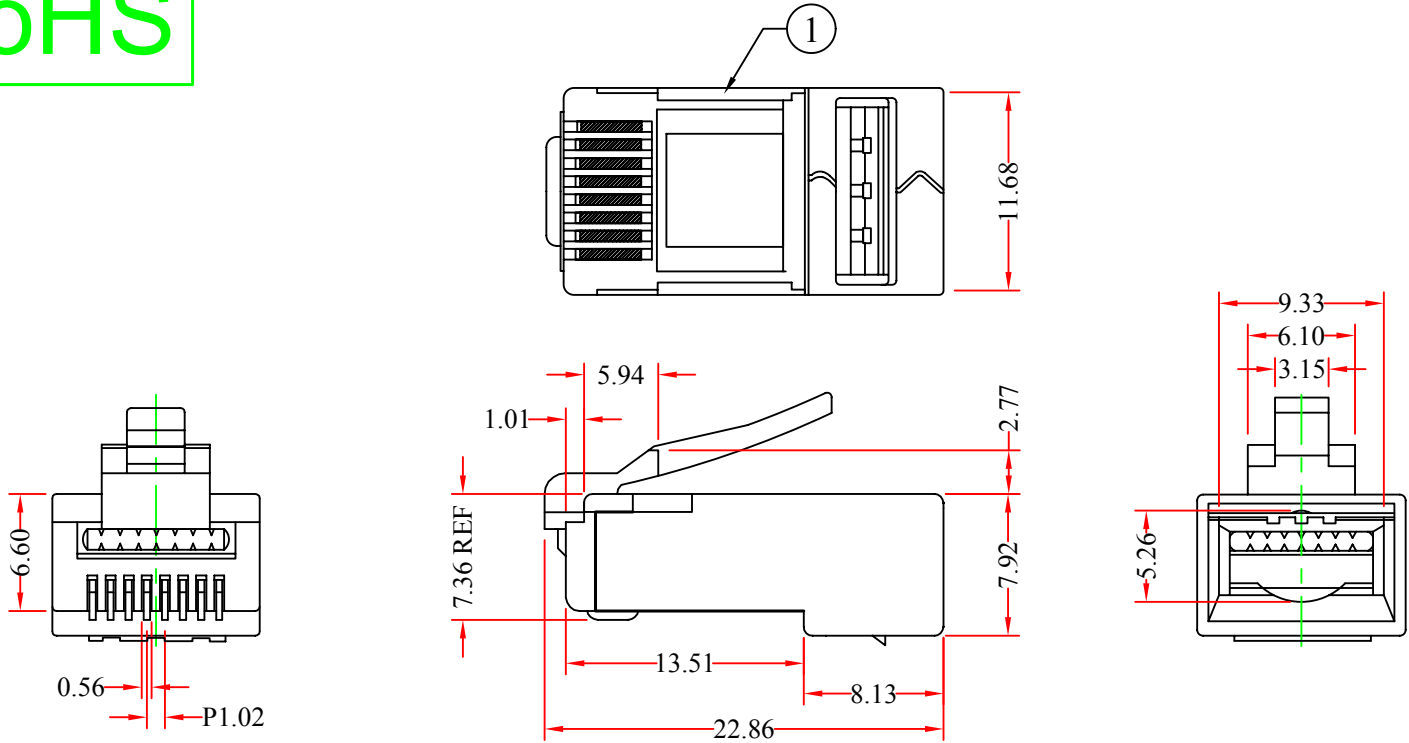


RoHS

REV.	DESCRIPTION	DATE
A		08-2014



Notes.

Operation Temperature: -40°C to +70°C
 Insertion / Extraction: 1000 Cycles
 Contact Resistance: 10 Milli Ohms Max.
 Current Voltage: 30V AC/ 42V DC AT 1.5 Amps

NO.	SPECIFICATIONS	ITEM NUMBER	32D0-510HD	DRAWER	JL
3		MATERIAL		CHECKED	
2		REV.	A	APPROVED	
1	RJ45 8P8C Plug, Pin 50 micro-inch, Gold Plated	TITLE	EZ RJ45 Shielded Cat5e Crimp Plugs, Slide Through Wires, 100 Pieces		
BOM LIST		DRAWING NO:			
				 888-212-8295	