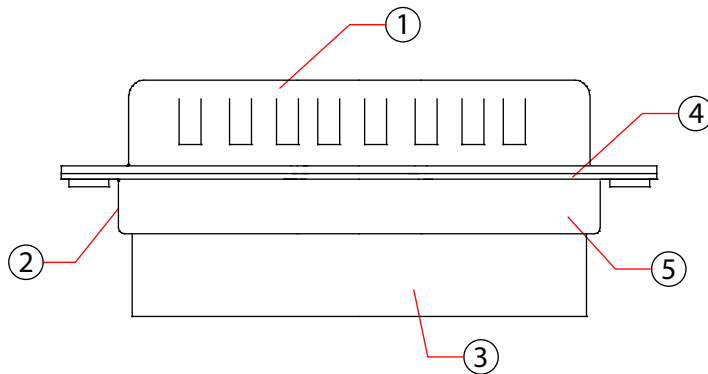
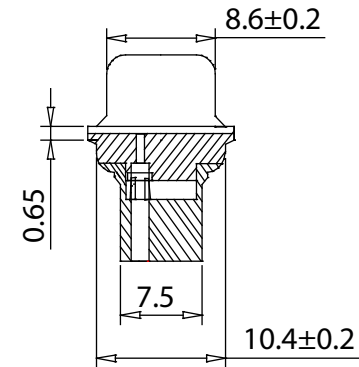
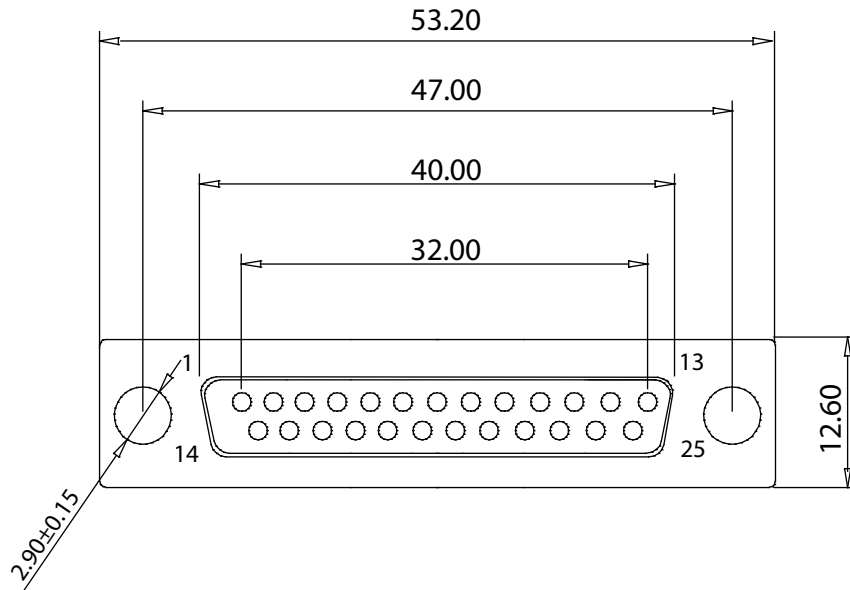
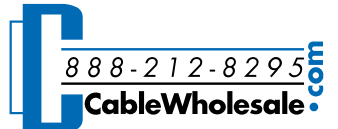


Rev.	Description	Date
A		10-2018



RoHS

5	Insulation Color: Blue	Item Number:	3309-025M	
4	Positions, DB25PIN	Title:	DB25 Male Serial Crimp Housing	
3	Irregular Changes, Standare	Drawn by:	JL	
2	Contact Option, Receptacce	Approved by:	MAC	
1	Priduct Series, DBW Silder Pot	ID:	108	
No.	Specifications			