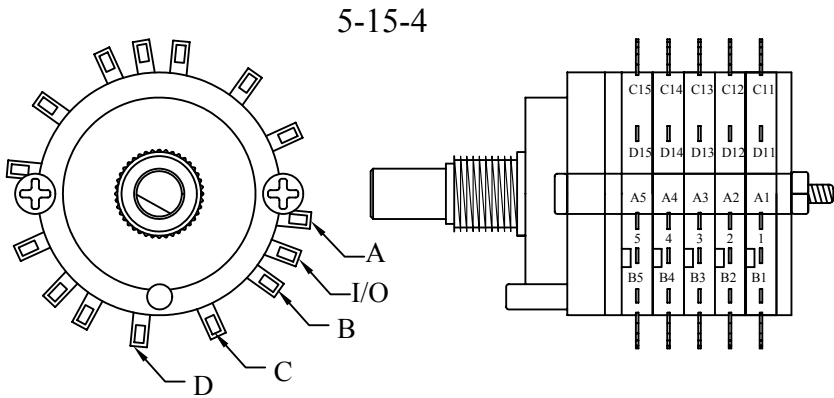
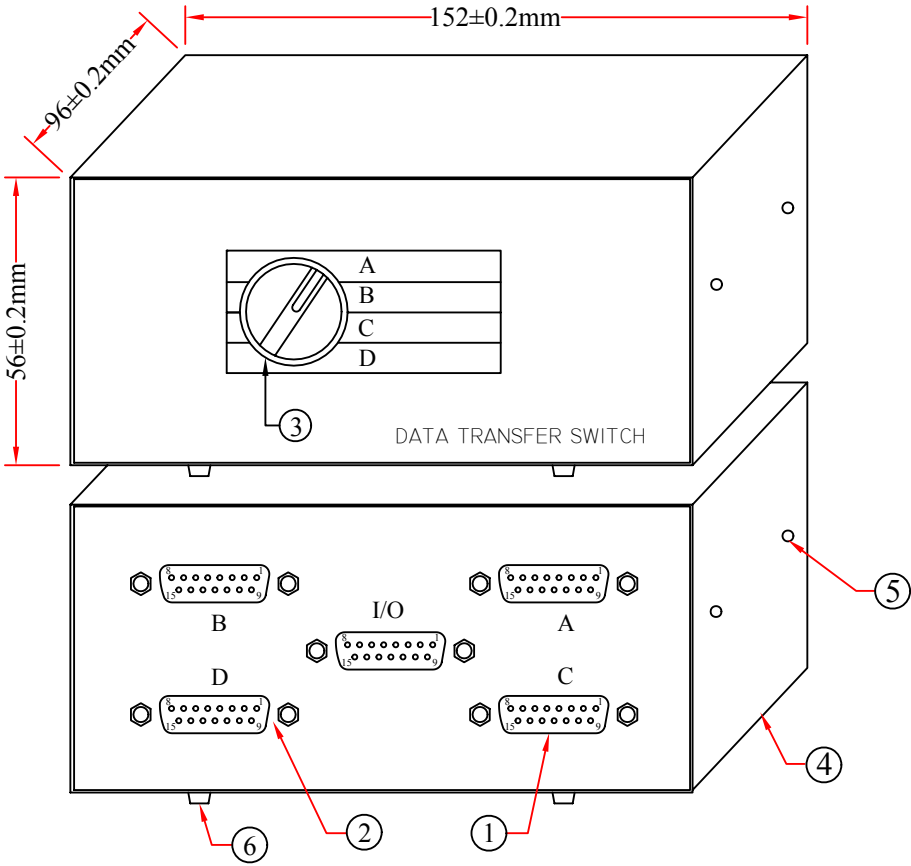


RoHS

REV.	DESCRIPTION	DATE
A		01-2014



Pin Assignment			
DB15 F	I/O	Switch	DB15 F
	1	1	1
	2	2	2
	S 1:1		
	14	14	14
	15	15	15
	Shell		Shell



6	Plasto-Visco-Elastic Body
5	Screw 3*6 PWB
4	Metal Case, Thickness 0.8mm
3	UL 1061 26AWG Wire,L:150mm, Main Heart 5-15-4, Knob For A,B,C,D, Switch Screw 4*12.5mm with Pad
2	Hex-Nut 4.75*13m, Screw Cap 4.75*1.5mm
1	DB15 Female, Gold Flash On Contacts, Blue Insulator
NO.	SPECIFICATIONS
	BOM LIST

ITEM NUMBER	40D2-03604			DRAWER	JL
TITLE	Apple / Mac AB 4 Way Switch Box DB15 Female			CHECKED	
MATERIAL		SCALE		APPROVED	
REV.	A	UNIT	MM		
DRAWING NO:				 888-212-8295.com	