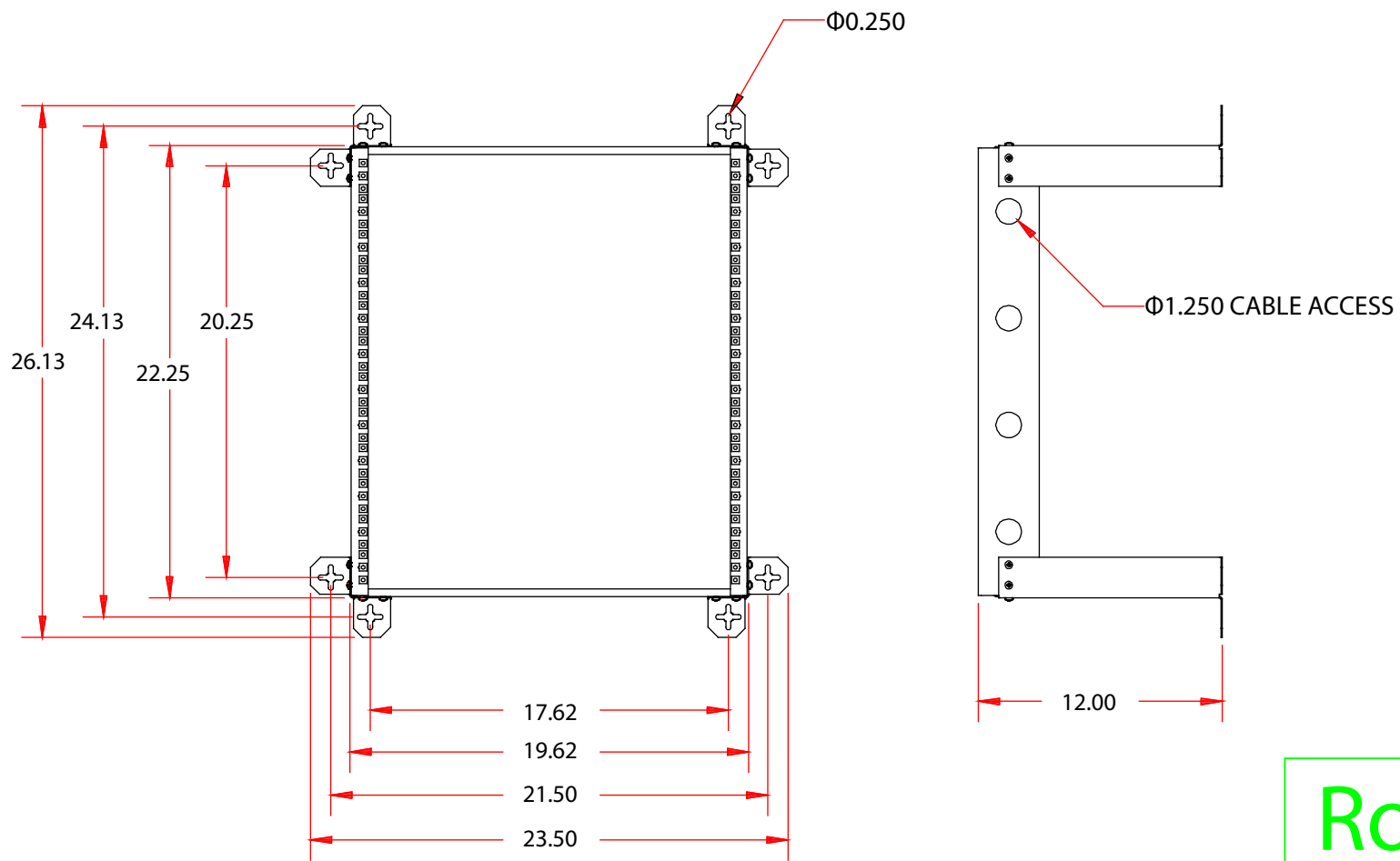


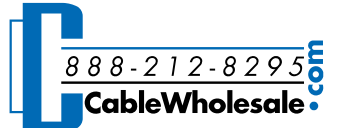
| Rev. | Description | Date |
|------|-------------|---------|
| A | | 10-2018 |



NOTE:

1. 19" EIA RACK MOUNT COMPLIANT.
2. VERTICAL RAILS CAN BE ASSEMBLED FOR 3/8" CAGE NUT OR 10-32 THREADED HOLE
3. BLACK POWDER COAT.
4. ASSEMBLY REQUIRED.

RoHS

| | | |
|--------------|-----------------------------|---|
| Item Number: | 61R1-21212 | |
| Title: | V Line Fixed Wall Rack, 12U | |
| Drawn by: | JL |  |
| Approved by: | MAC | |
| ID: | 196 | |

| | |
|-----|----------------|
| 2 | |
| 1 | |
| No. | Specifications |