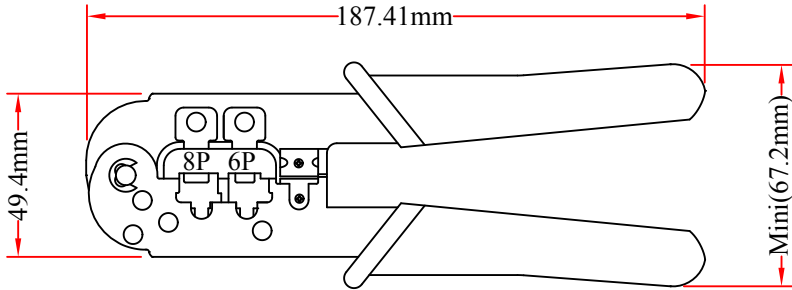
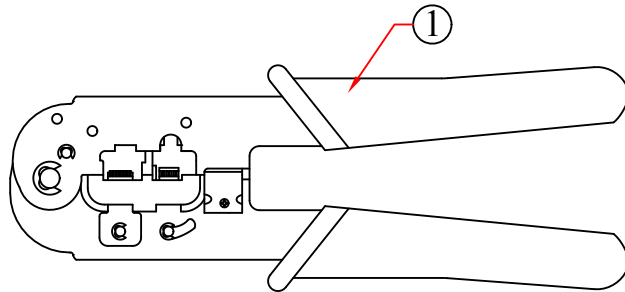
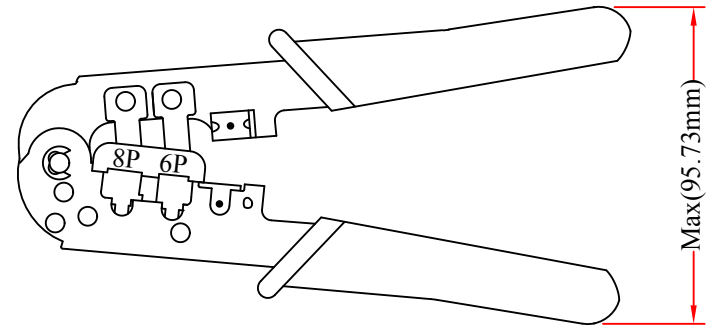


REV.	DESCRIPTION	DATE
A		11-2012



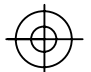
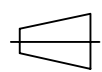
Front View



Back View

RoHS

5	
4	
3	
2	
1	RJ11 /RJ12 /RJ45 Crimp Tool, Red
NO.	SPECIFICATIONS
	BOM LIST

ITEM NUMBER	91D5-56800			DRAWER	JL
TITLE	Crimp Tool for RJ11 / RJ12 / RJ45, Network and Phone			CHECKED	
				APPROVED	
MATERIAL		SCALE		 	
REV.	A	UNIT	MM		
DRAWING NO:				