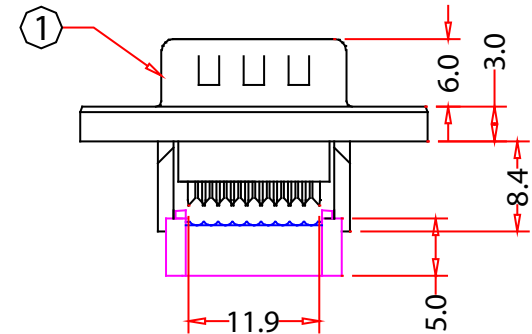
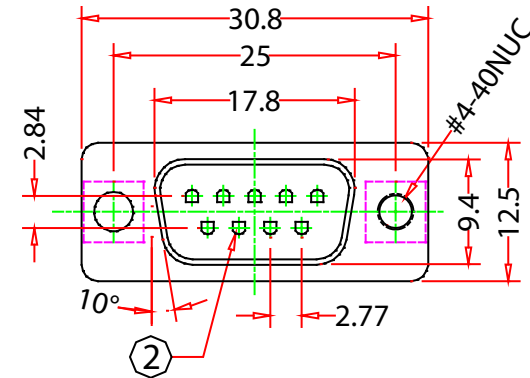
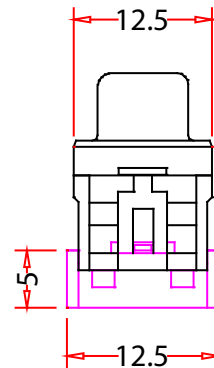
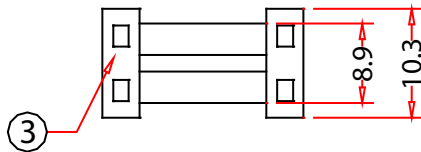
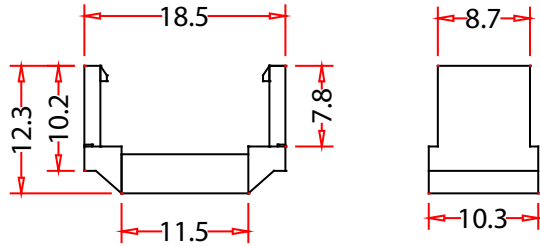


RoHS

Rev.	Description	Date
A		06-2020



1.Specifications:

Contact Resistance: 30M Ohm Max.at DC 100mA
 Insulato Resistance: 1000M Ohm Min.at DC 500V
 Current Rating : 1 Amp

2.Dielectric Withstanding:

Voltage: AC 500V for 1 Minute
 Operating Temperature: -55 °C + 105 °C

		Item Number:	3430-12009
4		Title:	DB9 Male IDC Ribbon, Right Angle Connector
3	DB9P Male Housing, PBT & 30% Glass Fiber (UL 94V-0), Blue	Drawn by:	JL
2	DB9P Male Contact, Brass	Approved by:	MAC
1	DB9P Male Shell, Nickel Plated	ID:	108
No.	Specifications		

