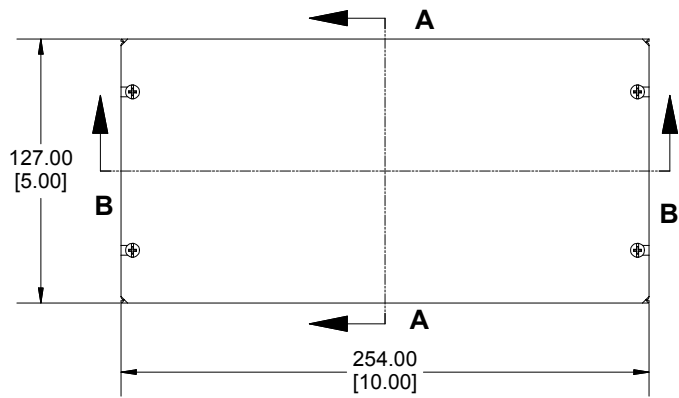
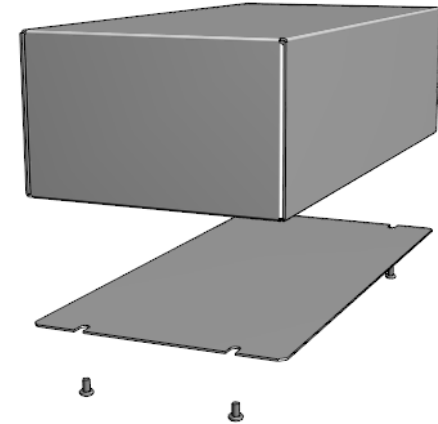
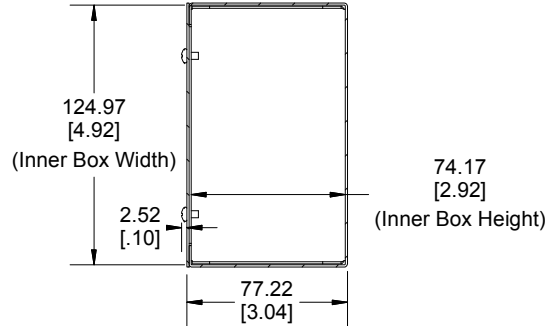


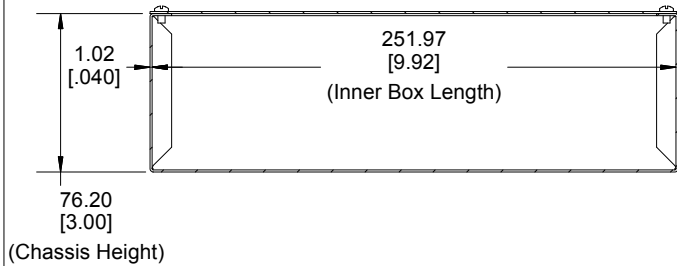
**Bottom View of Assembly**



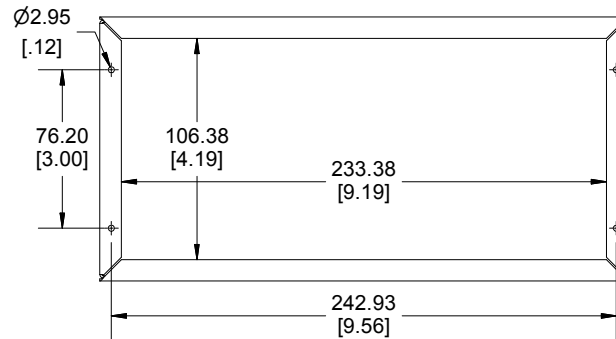
**SECTION A-A  
End View of Assembly**



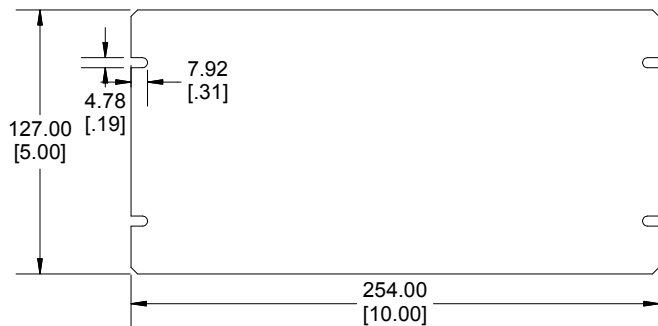
**SECTION B-B  
Side View of Assembly**



**Bottom View of Chassis  
(Sold Separately)**



**Bottom Plate  
(Sold Separately)**



NOTE	
All Components Sold Separately	
Chassis is Made of 0.040" Aluminum.	
Bottom Plate is Made of 0.040" Aluminum.	

PART NUMBERS	
1444-1053 Enclosure	
Natural Finish Chassis	1444-1053
ACCESSORIES	
Natural Finish Bottom Plate	1434-105
Plated Cover Screws (Pkg 6) [6-32 x 1/4" Self-Tapping Screws]	1421J6

**HAMMOND  
MANUFACTURING™**

**1444-1053**

www.hammondmfg.com

Dimensions:  
mm  
[inches]