

PUSHBUTTON SWITCHES

A compact yet rugged solution to general purpose switch needs. Alternate action, metal construction and stiff (6-8 lb) actuation force have combined to make this switch a pillar in a variety of markets.



Typical Applications:

- Music Industry
- Audio/Visual
- Electronic Road Signs

Dielectric Strength

UL/CSA: 1000V - live to dead metal parts & opposite polarity

Mechanical Life

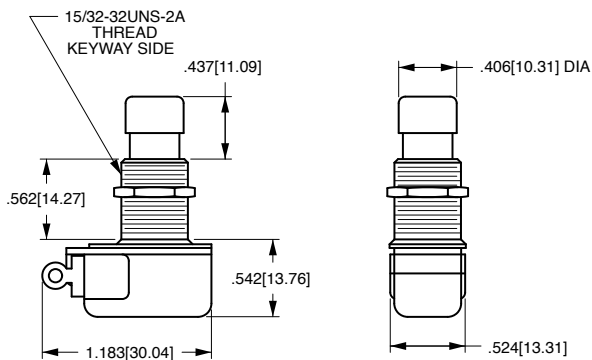
100,000 cycles

Operating Temperature

32°F to 185°F (0°C to 85°C)

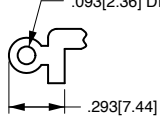
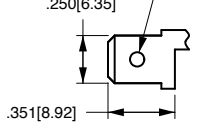
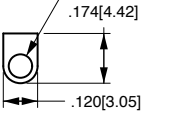
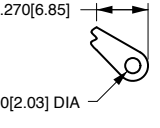
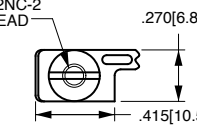
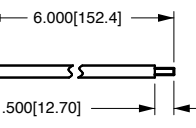
Electrical Life

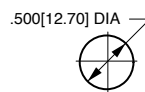
25,000 cycles



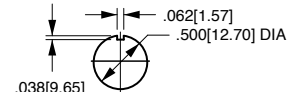
NOTE:
KEYWAY
.072[1.82] X .038[.965] DP

*Manufacturer reserves the right to change product specification without prior notice.

 .093[2.36] DIA .293[7.44]	 .075[1.90] DIA .250[6.35] .351[8.92]	 .070[1.77] DIA .174[4.42] .120[3.05]
SOLDER LUG	.250 TAB (Q.C.) (SPST only)	SOLDER LUG (bottom)
TERMINAL TYPE		
 .270[6.85] .080[2.03] DIA	 #6-32NC-2 THREAD .270[6.86] .415[10.54]	 6.000[152.4] .500[12.70]
END TERMINAL	SCREW (ASSEMBLED) (SPST ONLY)	INTEGRATED WIRE LEAD (no exposed conductors)



MOUNTING HOLE



WITH KEYWAY