



## Features

- Split knurled or plain shaft options
- DPDT push-pull switch
- Metal bushing and shaft
- Carbon element
- Linear and audio taper options
- RoHS compliant\*



## PDB183-GTR - 17 mm Guitar Potentiometer w/Push-Pull Switch

### Electrical Characteristics

Taper..... Linear, audio  
 Standard Resistance Range  
 ..... 10K ohms to 1M ohms  
 Standard Resistance Tolerance..... $\pm 20\%$   
 Residual Resistance..... 1 % max.

### Environmental Characteristics

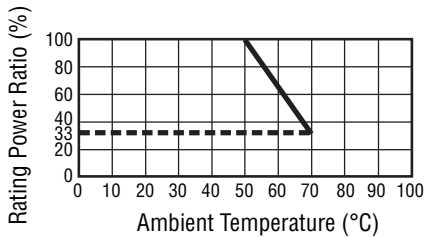
Operating Temperature  
 ..... $-10\text{ }^{\circ}\text{C}$  to  $+50\text{ }^{\circ}\text{C}$   
 Power Rating  
 Linear ..... 0.2 watt  
 Audio ..... 0.1 watt  
 Maximum Operating Voltage  
 Linear ..... 200 V  
 Audio ..... 150 V  
 Sliding Noise..... 47 mV max.

### Mechanical Characteristics

Mechanical Angle .....  $300\text{ }^{\circ} \pm 5\text{ }^{\circ}$   
 Rotational Torque ..... 30 to 100 g-cm  
 Stop Strength..... 5 kg-cm min.  
 Rotational Life..... 15,000 cycles  
 Switch Life ..... 15,000 cycles  
 Switch Type ..... DPDT  
 Switch Travel.....  $4.3 \pm 0.2\text{ mm}$   
 (.169  $\pm$  .008 in.)

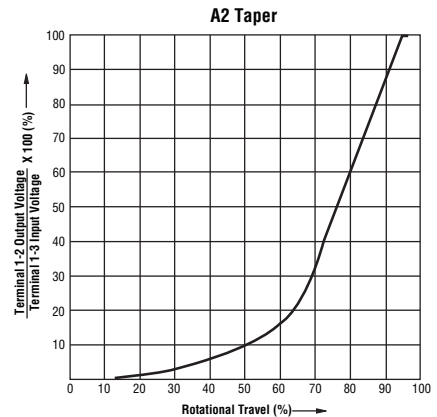
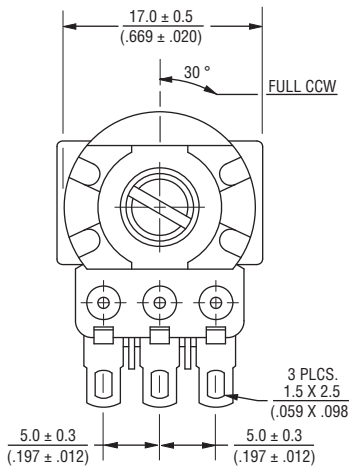
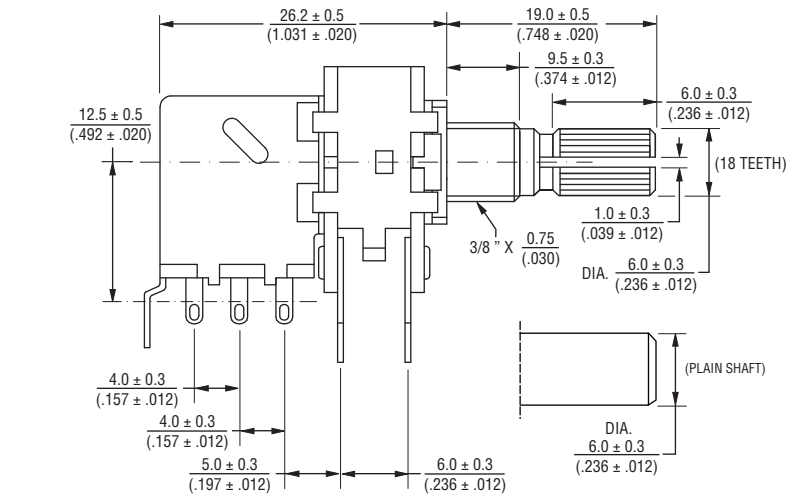
Soldering Condition  
 Manual/Wave  
 .....  $260\text{ }^{\circ}\text{C}$  max. for 3 seconds max.  
 Wash ..... Not recommended  
 Hardware ..... Two flat washers and  
 two mounting nuts supplied per  
 potentiometer

### Derating Curve



### Product Dimensions

PDB183-GTR21,  
 PDB183-GTR22



\*RoHS Directive 2002/95/EC Jan. 27, 2003 including annex and RoHS Recast 2011/65/EU June 8, 2011.  
 Specifications are subject to change without notice.  
 Customers should verify actual device performance in their specific applications.