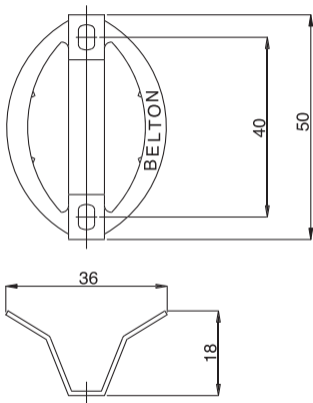


# TUBE RETAINER-1

S-H142



- Materials ; Spring plate with Ni plating