



# 1oz Medicine Cups

Product Code: MC79

## General Description

### **Graduations:**

- ounces: 1/8, 1/4, 1/2, 3/4, 1
- drams: 1 – 8
- tablespoons: 1/2, 1, 2,
- teaspoons: 1/2, 1
- dssp: 1,2
- cc: 2 1/2, 5, 7 1/2, 10, 15, 20, 25, 30
- milliliters: 2 1/2, 5, 7 1/2, 10, 15, 20, 25, 30

### **Material:**

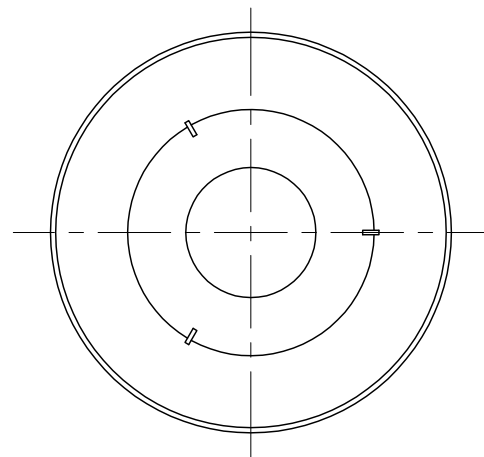
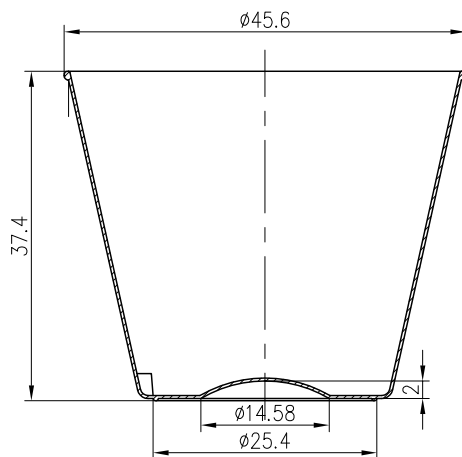
Polypropylene, FDA Certified

Country of Origin: China

*Product is recyclable*



Case:	5000 pc/case
Packaged:	50 sleeves of 100
Case Dimensions:	18 x 9 x 12.5
Case Weight:	22.35 lbs
Cube Dimension:	1.19
Cases per Skid:	50



**Manufactured by Oak Ridge Products, LLC**  
 FDA Manufacturing Facility Registration  
 #1419823 & 3006060667

Product dimensions listed are in millimeters