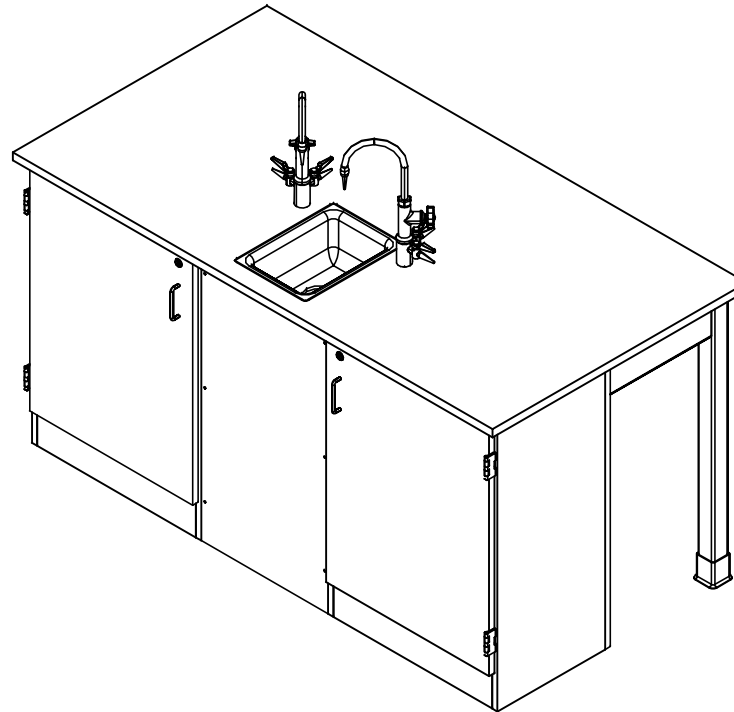


# FORWARD VISION III

2924K, 2924KF, 2926K, 2926KF, 2964K, 2964KF, 2966K, & 2966KF SERIES

## ASSEMBLY INSTRUCTIONS



**NOTE:**

1. MODEL VIEWS MAY NOT REPRESENT EXACT MODEL PURCHASED

DWN BY:	EMK	DWN DATE:	11/8/16
APR BY:		DATE APR:	
APR BY:		DATE APR:	

UNLESS OTHERWISE SPECIFIED  
DIMENSION ARE IN INCHES  
  
CABINET SQUARENESS ± .0625  
FRACTIONAL VALUES ± 1/32"  
- ALL VALUES ± OVERALL -



300 South Krueger Street  
Suring, WI 54174  
diversifiedwoodcrafts.com

TITLE:  
**FORWARD VISION III  
ASSEMBLY INSTRUCTIONS**

A	CREATED DRAWING	11/8/16	EMK	-
REV.	DESCRIPTION	DATE	NAME	ECN NO.

REVISION LEVEL

THIS DRAWING IS THE SOLE PROPERTY OF  
DIVERSIFIED WOOD CRAFTS. IT MAY NOT  
BE ALTERED OR CHANGED WITHOUT  
PERMISSION

DRAWING NUMBER:

**FORWARD VISION III**

SCALE:

NTS

SHEET:

1 OF 7

REVISION:

REV A

## TOOLS REQUIRED

½" WRENCH
½" SOCKET AND TORQUE WRENCH - OPTIONAL
CONTACT CEMENT
SCREW DRIVER
C-CLAMPS
SHIM STOCK (IF NEEDED)

## ASSEMBLY COMPONENTS

ITEMS INCLUDED	PART #	PART DESCRIPTION	QTY
TOP	VARIES	TOP, (STYLE VARIES), 1.00X36X68,BLK, (EITHER FIXTURE OR FLAT)	1
CABINET	N/A	24"W X 35"H X 15.25"D	2
REMOVABLE PANEL	N/A	18"W X 35"H X 0.75"D	1
BACK PANEL	N/A	66"W X 35"H X 0.75"D	1
SCREWS - REMOVABLE PANEL	100495	SCREW,#10X1- ½ PHIL TR. SMS,ZN	6
SCREWS - BACK PANEL	100478	SCREW,#8X1 ¼ SQ. WASHER FLAT HEAD	12
LONG APRON	N/A	LONG APRON - 0.81"THK X 4.50"W 61.50"L	1
SHORT APRON	N/A	SHORT APRON - 0.81"THK X 4.50"W X 14.563"L	2
L BRACKET	100355	BRACKET, RAIL 1.25X1.25X4.25	2
SCREWS - L BRACKET	100649	SCREW,#8X¾ PHIL TRUSS HEAD SMS	8
BRACKET - CORNER LEG	100077	CORNERS,STEEL TABLE APRON	2
SCREWS - CORNER LEG	100037	SCREW,#10X⅝ QUAD PNHD LUB	8
LEG	500101	LEG,OAK 2.25X2.25X34.25	2
LEG HARDWARE	520001	LEG HARDWARE KIT, 1 LEG	2
LEG BOOT	100076	LEG BOOT,BLK RUBBER	2
SILICONE	100711	SILICONE,SEALANT,CLEAR	1
RUBBER BASE MOLDING	100283	RUBBER BASE MOLDING (SOLD BY FOOT)	14
STAINLESS STEEL CORNERS	100057	CORNER-STAINLESS STEEL, BASE	4
SCREWS - BASE	100064	SCREW,#6X½ PTH SMS SS SCREW	16

**NOTE:**

1. TOPS ARE EITHER PHENOLIC OR EPOXY.
2. \*\*XX\*\* INDICATES ITEMS USED ONLY FOR THE "K" SERIES.

DWN BY:	EMK	DWN DATE:	11/8/16
APR BY:		DATE APR:	
APR BY:		DATE APR:	



300 South Krueger Street  
Suring, WI 54174  
diversifiedwoodcrafts.com

UNLESS OTHERWISE SPECIFIED  
DIMENSION ARE IN INCHES  
  
CABINET SQUARENESS ± .0625  
FRACTIONAL VALUES ± 1/32"  
- ALL VALUES ± OVERALL -

TITLE:  
**FORWARD VISION III  
TOOLS AND ASSEMBLY COMPONENTS**

A	CREATED DRAWING	11/8/16	EMK	-
REV.	DESCRIPTION	DATE	NAME	ECH NO.

THIS DRAWING IS THE SOLE PROPERTY OF  
DIVERSIFIED WOOD CRAFTS. IT MAY NOT  
BE ALTERED OR CHANGED WITHOUT  
PERMISSION

DRAWING NUMBER: <b>FORWARD VISION III</b>	SCALE: NTS	SHEET: 2 OF 7	REVISION: REV A
--	---------------	------------------	--------------------

## ASSEMBLY COMPONENTS

ITEMS INCLUDED	PART #	PART DESCRIPTION	QTY
ELECTRICAL BOX	100033	ELECTRICAL BOX 3.00X2X2.5 DEEP	1
ELECTRICAL OUTLET	100034	ELEC,OUTLET,GFI,20A 125V,BLK	1
**FIXTURE - FAUCET**	100074-BKR	FIXTURE,L65-WSA-DIV (MULTI-SERVICE)	2
**FIXTURE - SINK**	100691	SINK,EPOXY L3,BLK	1
**FIXTURE - SINK TRAP**	100056	SINK TRAP,PLASTIC ADJUSTABLE	1
**FIXTURE - SINK STOPPER**	100112	SINK STOPPER 1 1/2,BLK	1
**FIXTURE - STRAINER**	100055	SINK,OUTLET/STRAINER EPOXY,BLK	1

**NOTE:**

1. TOPS ARE EITHER PHENOLIC OR EPOXY.
2. \*\*XX\*\* INDICATES ITEMS USED ONLY FOR THE "K" SERIES.

DWN BY:	EMK	DWN DATE:	11/8/16
APR BY:		DATE APR:	
APR BY:		DATE APR:	

UNLESS OTHERWISE SPECIFIED  
DIMENSION ARE IN INCHES  
  
CABINET SQUARENESS ± .0625  
FRACTIONAL VALUES ± 1/32"  
- ALL VALUES ± OVERALL -



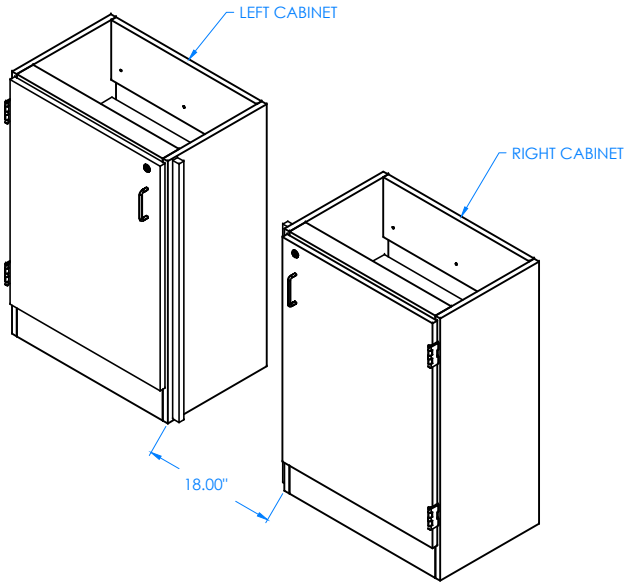
300 South Krueger Street  
Suring, WI 54174  
diversifiedwoodcrafts.com

**TITLE:**  
FORWARD VISION III  
TOOLS AND ASSEMBLY COMPONENTS

A	CREATED DRAWING	11/8/16	EMK	-
REV.	DESCRIPTION	DATE	NAME	ECN NO.

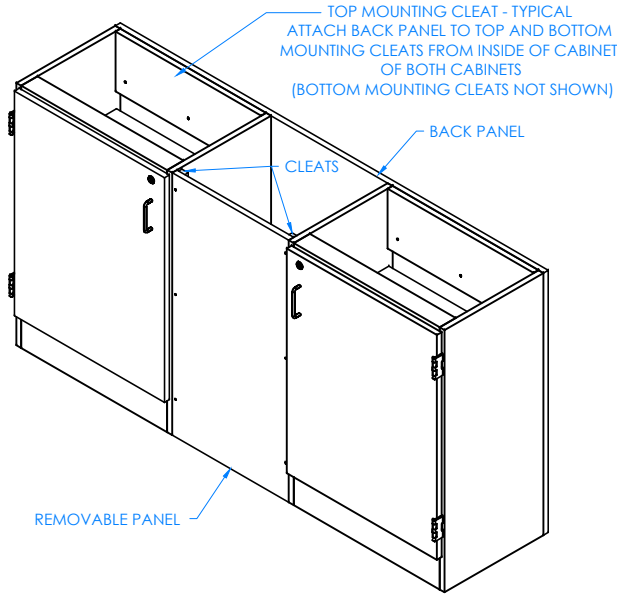
THIS DRAWING IS THE SOLE PROPERTY OF  
DIVERSIFIED WOOD CRAFTS. IT MAY NOT  
BE ALTERED OR CHANGED WITHOUT  
PERMISSION

<b>DRAWING NUMBER:</b> FORWARD VISION III	<b>SCALE:</b> NTS	<b>SHEET:</b> 3 OF 7	<b>REVISION:</b> REV A
--	----------------------	-------------------------	---------------------------



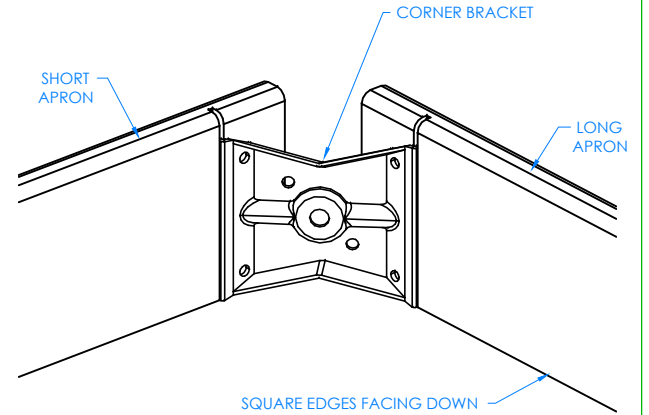
STEP 1:

POSITION THE TWO CABINETS IN DESIRED LOCATION. MAKING SURE DOOR HINGES ARE ON THE OUTSIDE. (IF YOU HAVE A "K" SERIES UNIT, PLACE UNIT OVER UTILITY HOOKUPS). LEAVE ENOUGH ROOM IN BETWEEN CABINETS FOR REMOVABLE PANEL. LEVEL CABINETS AND ATTACH TO FLOOR.



STEP 2:

ATTACH REMOVABLE PANEL WITH THE SCREWS PROVIDED TO THE CLEATS ON SIDES OF LEFT AND RIGHT CABINETS BY DRILLING PILOT HOLES THROUGH CLEATS. POSITION REMOVABLE PANEL SO THAT BOTTOM HOLES ARE MORE THAN 4" ABOVE FLOOR. ATTACH BACK PANEL TO BACK OF CABINETS WITH THE SCREWS PROVIDED INTO MOUNTING CLEATS LOCATED INSIDE ON TOP AND BOTTOM OF BOTH CABINETS.



CLOSE UP OF CORNER BRACKET ASSEMBLY

STEP 3:

LAYOUT WORKSTATION FRAME WITH SQUARE EDGES OF APRONS ON THE FLOOR, ROUNDED EDGES FACING UP. CONNECT THE LONG APRON AND SHORT APRON TOGETHER BY USING THE CORNER LEG BRACKET. MAKING SURE BRACKET IS FLUSH WITH THE SQUARE EDGES OF APRONS. REPEAT ON OTHER BRACKET.

NOTE:

- 1.

DWN BY:	EMK	DWN DATE:	11/8/16
APR BY:		DATE APR:	
APR BY:		DATE APR:	

UNLESS OTHERWISE SPECIFIED DIMENSION ARE IN INCHES

CABINET SQUARENESS ± .0625  
FRACTIONAL VALUES ± 1/32"  
- ALL VALUES ± OVERALL -



300 South Krueger Street  
Suring, WI 54174  
diversifiedwoodcrafts.com

TITLE:  
FORWARD VISION III  
ASSEMBLY INSTRUCTIONS

A	CREATED DRAWING	11/8/16	EMK	-
REV.	DESCRIPTION	DATE	NAME	ECN NO.
	REVISION LEVEL			

THIS DRAWING IS THE SOLE PROPERTY OF DIVERSIFIED WOOD CRAFTS. IT MAY NOT BE ALTERED OR CHANGED WITHOUT PERMISSION

DRAWING NUMBER:

FORWARD VISION III

SCALE:

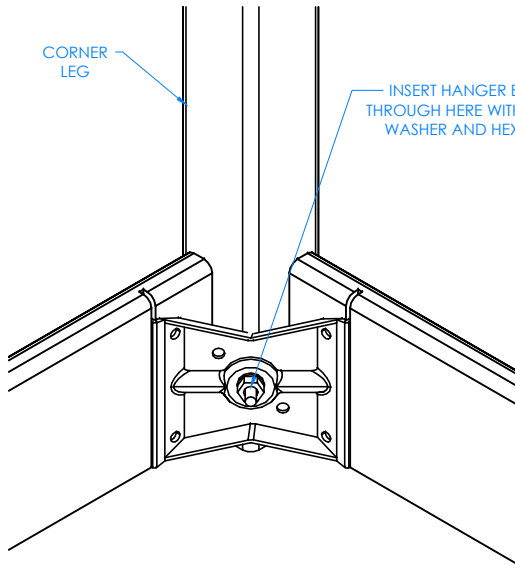
NTS

SHEET:

4 OF 7

REVISION:

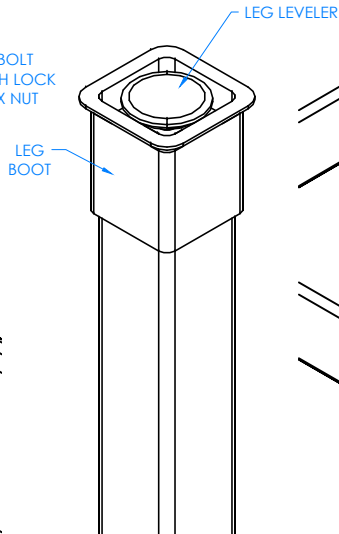
REV A



CLOSE UP OF CORNER BRACKET ASSEMBLY

STEP 4:

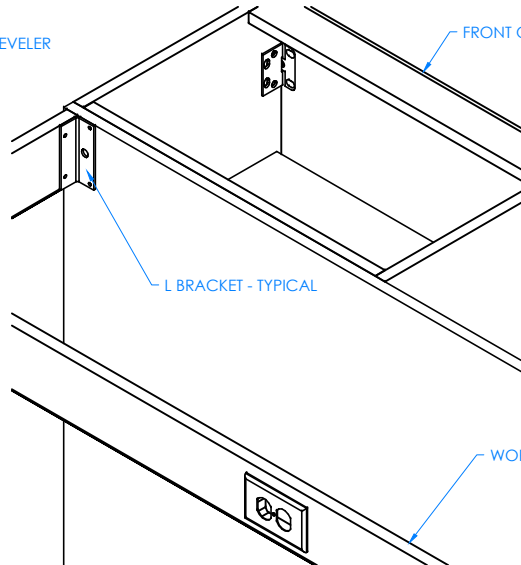
INSERT HANGER BOLT ON ONE OF THE LEGS THROUGH THE CORNER BRACKET AND INSERT LOCK WASHER AND HEX NUT. TIGHTEN NUT USING 1/2" WRENCH OR 1/2" SOCKET AND TORQUE WRENCH, TO A MINIMUM OF 12FT LBS BUT NOT TO EXCEED 17FT LBS. REPEAT FOR OTHER CORNER LEG.



CLOSE UP OF LEG LEVELER AND LEG BOOT ASSEMBLY

STEP 5:

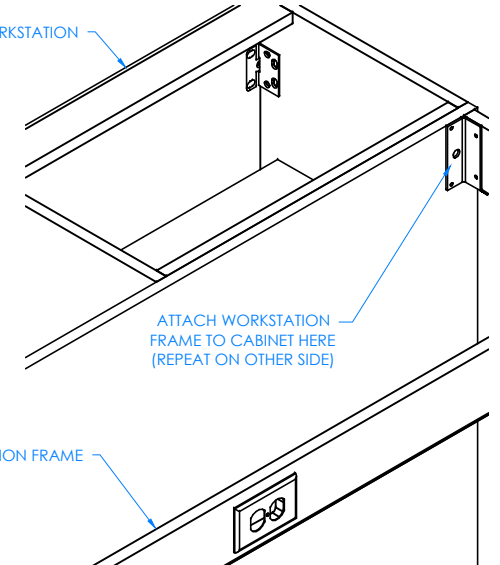
SLIDE LEG BOOT ONTO LEG WITH FLARED END TOWARDS BOTTOM OF LEG. SCREW LEG LEVELER INTO T-NUT ON BOTTOM OF THE LEG. REPEAT FOR ALL LEGS. SET WORKSTATION FRAME ASIDE.



RIGHT SIDE OF WORKSTATION SHOWN

STEP 6:

WITH HELP FROM ANOTHER PERSON, STAND WORKSTATION FRAME UP. POSITION FRAME UP TO CABINET. ATTACH L BRACKET ONTO APRON WITH SCREWS PROVIDED. ATTACH BRACKET ONTO BACK OF WORKSTATION WITH THE REMAINING SCREWS.



LEFT SIDE OF WORKSTATION SHOWN

NOTE:

- 1.

DWN BY:	EMK	DWN DATE:	11/8/16
APR BY:		DATE APR:	
APR BY:		DATE APR:	



300 South Krueger Street  
Suring, WI 54174  
diversifiedwoodcrafts.com

UNLESS OTHERWISE SPECIFIED  
DIMENSION ARE IN INCHES  
CABINET SQUARENESS ± .0625  
FRACTIONAL VALUES ± 1/32"  
- ALL VALUES ± OVERALL -

TITLE:  
FORWARD VISION III  
ASSEMBLY INSTRUCTIONS

A	CREATED DRAWING	11/8/16	EMK	-
REV.	DESCRIPTION	DATE	NAME	ECN NO.
REVISION LEVEL				

THIS DRAWING IS THE SOLE PROPERTY OF  
DIVERSIFIED WOOD CRAFTS. IT MAY NOT  
BE ALTERED OR CHANGED WITHOUT  
PERMISSION

DRAWING NUMBER:

FORWARD VISION III

SCALE:

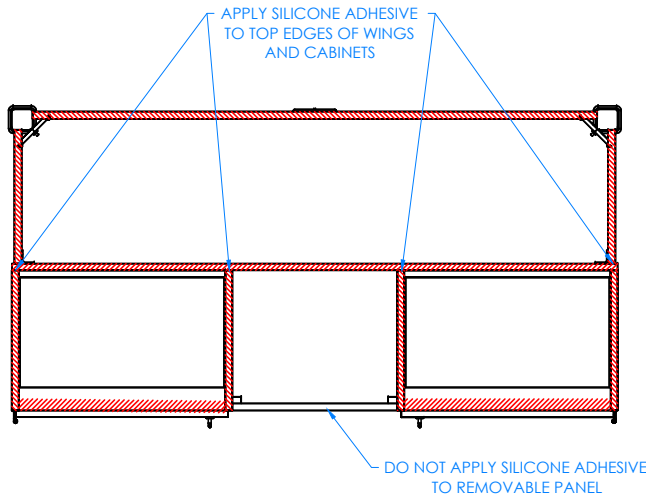
NTS

SHEET:

5 OF 7

REVISION:

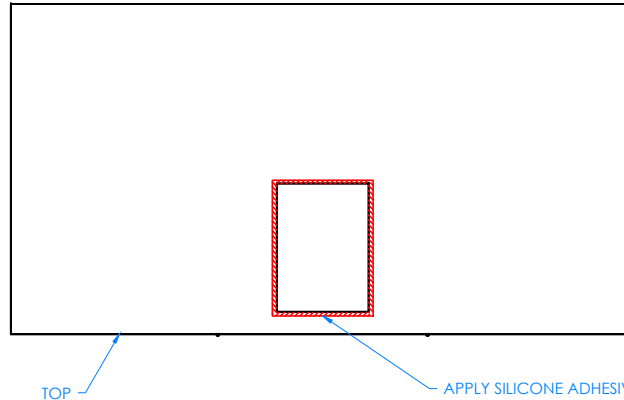
REV A



TOP VIEW OF WORKSTATION SHOWN

STEP 7:

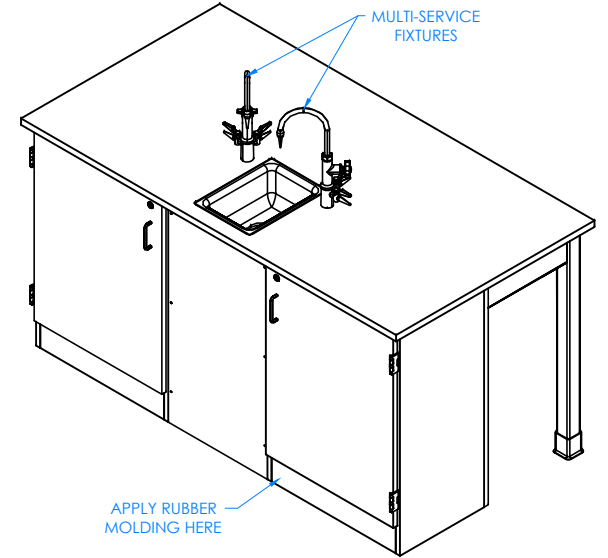
ADJUST LEG LEVELERS TO LEVEL THE WORKSTATION FRAME WITH CABINETS. APPLY SILICONE ADHESIVE TO TOP EDGES OF CABINET AND WINGS. PLACE TOP ON UNIT WITH PROPER OVERHANG (CENTERED ON WORKSTATION). CLAMP ON TOP TO WINGS TO REMOVE ANY WARP USING SHIMS AND C-CLAMPS, IF NEEDED, WHEN ALIGNING THE TOP (DO THIS BEFORE ADHESIVE ON EDGES SETS UP). LET CURE FOR 6-12 HOURS. DO NOT APPLY SILICONE ADHESIVE TO REMOVABLE PANEL.



TOP VIEW OF WORKSTATION SHOWN

STEP 8:

IF YOU DO NOT HAVE A "K" SERIES UNIT, SKIP TO STEP 9. APPLY SILICONE ADHESIVE TO THE SINK OPENING ON TOP. LOWER SINK INTO OPENING. WIPE OFF ANY EXCESS CAULK AND ALLOW TO SET. LET CURE FOR 6-12 HOURS.



COMPLETE UNIT SHOWN

STEP 9:

ATTACH RUBBER MOLDING TO BASE OF WORKSTATION USING CONTACT CEMENT. AFTER MOLDING IS IN PLACE, SCREW STAINLESS STEEL CORNER BRACKETS ON EACH CORNER OVER BASE MOLDING WITH THE SCREWS PROVIDED. IF YOU HAVE A "K" SERIES UNIT, INSTALL MULTI-SERVICE FIXTURES IN THE HOLES PROVIDED ON TOP.

NOTE:

- ALL WATER, ELECTRICAL, AND GAS CONNECTIONS SHOULD BE PERFORMED BY A TRAINED PROFESSIONAL PER LOCAL CODE.

DWN BY:	EMK	DWN DATE:	11/8/16
APR BY:		DATE APR:	
APR BY:		DATE APR:	

UNLESS OTHERWISE SPECIFIED DIMENSION ARE IN INCHES  
 CABINET SQUARENESS ± .0625  
 FRACTIONAL VALUES ± 1/32"  
 - ALL VALUES ± OVERALL -



300 South Krueger Street  
 Suring, WI 54174  
 diversifiedwoodcrafts.com

TITLE:  
**FORWARD VISION III  
 ASSEMBLY INSTRUCTIONS**

REV.	DESCRIPTION	DATE	NAME	ECN NO.
A	CREATED DRAWING	11/8/16	EMK	-
REVISION LEVEL				

THIS DRAWING IS THE SOLE PROPERTY OF DIVERSIFIED WOOD CRAFTS. IT MAY NOT BE ALTERED OR CHANGED WITHOUT PERMISSION

DRAWING NUMBER:	SCALE:	SHEET:	REVISION:
<b>FORWARD VISION III</b>	NTS	6 OF 7	REV A

## **TROUBLESHOOTING YOUR GFCI ELECTRICAL RECEPTACLE:**

**PLEASE NOTE: THROUGHOUT ANY OF THE FOLLOWING STEPS (PROCEDURES); IF YOU ARE NOT SURE YOU CAN DO THIS JOB SAFELY, AND COMPETENTLY, REFER THIS WORK TO QUALIFIED PROFESSIONAL!**

**If your unit comes equipped with a GFCI (Ground Fault Circuit Interrupter) electrical receptacle, and there is no power in the receptacle please consider/check the following:**

- The extension cord (if being used) is working properly.
- The breaker hasn't been tripped, or turned off.

This type of GFCI has two testing-related buttons on it. One button is appropriately labeled "TEST", and the other button is labeled "RESET". To test the GFCI receptacle follow these steps:

- Plug in an appliance (lamp or night light) into the outlet. The light should now be on. Then press the "TEST" button on the GFCI. The GFCI "RESET" button should pop out, and the light should go out.
- If the "RESET" button pops out, but the light doesn't go out, the GFCI has been improperly wired. In this case please contact a certified professional. There may also be a problem with other wiring in the same circuit.
- If the "RESET" button doesn't pop out, the GFCI is defective, or malfunctioned, and should be replaced.
- If the GFCI is functioning properly, and the lamp goes out, press the "RESET" button to restore power to the outlet.

Conversely, if you have a GFI that has tripped (which is common) and it will not reset, you may have a wiring short in the circuit, a defective appliance on the circuit, or the GFI itself has become defective. To test a tripping GFCI follow these steps:

- Remove every appliance connected to the GFCI's circuit and reset it. If it doesn't reset there may either be a wiring fault behind a socket outlet, or your GFCI itself has become faulty.
- Make sure whatever you are plugging into to the GFCI is dry and not damaged.
- Only plug in one item at a time. If you are plugging in a defective item it will cause the GFCI to trip, and that item therefore should be replaced.

If you are still having difficulty the easiest way to troubleshoot a GFI is to obtain a GFI tester, which is available at most hardware stores. It plugs into the GFI outlet, and will supply you with a "snapshot" of your connections, indicating wiring problems and/or the condition of the GFI. Another way to troubleshoot is to simply purchase a new GFI and install it.