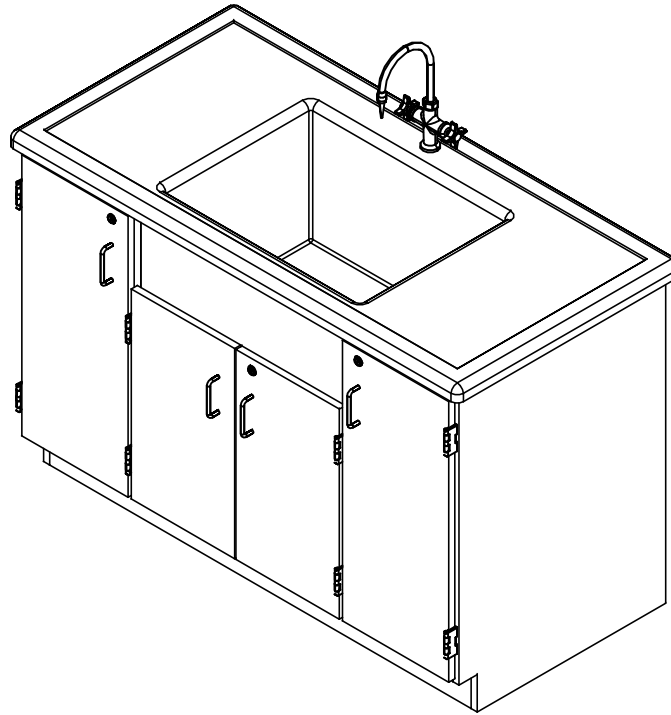


# CLEAN UP SINK

3303K

## ASSEMBLY INSTRUCTIONS



NOTE:

1. MODEL VIEWS MAY NOT REPRESENT EXACT MODEL PURCHASED

DWN BY:	EMK	DWN DATE:	4/21/15
APR BY:		DATE APR:	
APR BY:		DATE APR:	

UNLESS OTHERWISE SPECIFIED  
DIMENSION ARE IN INCHES  
CABINET SQUARENESS ± .0625  
FRACTIONAL VALUES ± 1/32"  
- ALL VALUES ± OVERALL -



300 South Krueger Street  
Suring, WI 54174  
diversifiedwoodcrafts.com

TITLE:  
CLEAN UP SINK  
ASSEMBLY INSTRUCTIONS

A	DESCRIPTION	DATE	NAME	ECN NO.
A	CREATED ASSEMBLY INSTRUCTIONS	4/21/15	EMK	-
REV.				

REVISION LEVEL

THIS DRAWING IS THE SOLE PROPERTY OF  
DIVERSIFIED WOOD CRAFTS. IT MAY NOT  
BE ALTERED OR CHANGED WITHOUT  
PERMISSION

DRAWING NUMBER:

3303K

SCALE:

NTS

SHEET:

1 OF 3

REVISION:

REV A

## TOOLS REQUIRED

CONTACT CEMENT

SCREW DRIVER

## ASSEMBLY COMPONENTS

ITEMS INCLUDED	PART #	PART DESCRIPTION	QTY
RUBBER BASE MOLDING	100283	RUBBER BASE MOLDING (SOLD BY FOOT)	8.5
STAINLESS STEEL CORNERS	100057	CORNERS-STAINLESS STEEL, BASE	2
SCREWS - BASE	100064	SCREW, #6X $\frac{1}{2}$ PTH SMS SS SCREW	8
SHELF CLIPS	100027	SHELF CLIPS, PLASTIC, 5MM PIN	8
FIXTURE	100467	FIXTUREW, L414 HOT & COLD MIXING	1
SINK TRAP	100056	SINK TRAP, PLASTIC ADJUSTABLE	1

**NOTE:**

1.

DWN BY:	EMK	DWN DATE:	4/21/15
APR BY:		DATE APR:	
APR BY:		DATE APR:	

UNLESS OTHERWISE SPECIFIED  
DIMENSION ARE IN INCHES  
CABINET SQUARENESS ± .0625  
FRACTIONAL VALUES ± 1/32"  
- ALL VALUES ± OVERALL -



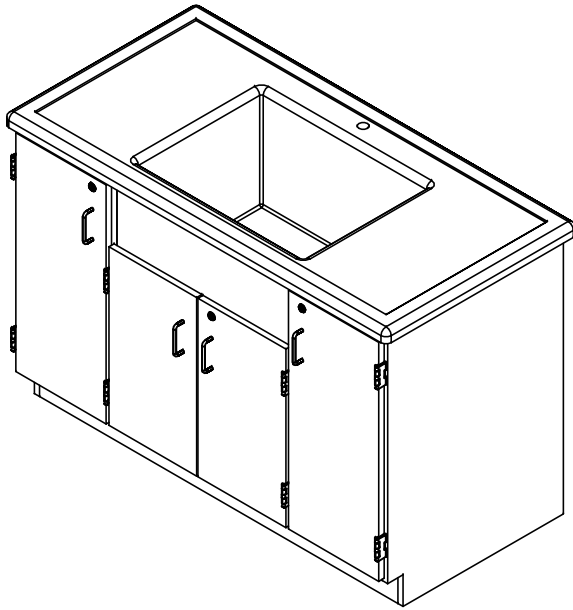
300 South Krueger Street  
Surging, WI 54174  
diversifiedwoodcrafts.com

TITLE:  
CLEAN UP SINK  
TOOLS AND ASSEMBLY COMPONENTS

REV.	DESCRIPTION	DATE	NAME	ECH NO.
A	CREATED ASSEMBLY INSTRUCTIONS	4/21/15	EMK	-
				REVISION LEVEL

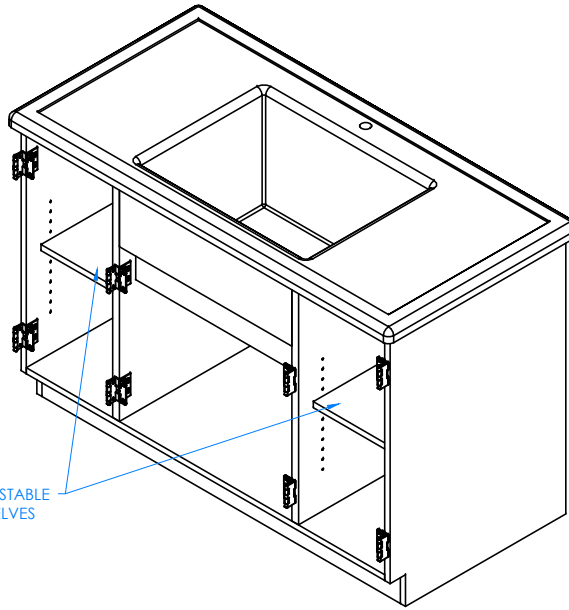
THIS DRAWING IS THE SOLE PROPERTY OF  
DIVERSIFIED WOOD CRAFTS. IT MAY NOT  
BE ALTERED OR CHANGED WITHOUT  
PERMISSION

DRAWING NUMBER:	3303K	SCALE:	NTS	SHEET:	2 OF 3	REVISION:	REV A
-----------------	-------	--------	-----	--------	--------	-----------	-------



STEP 1:

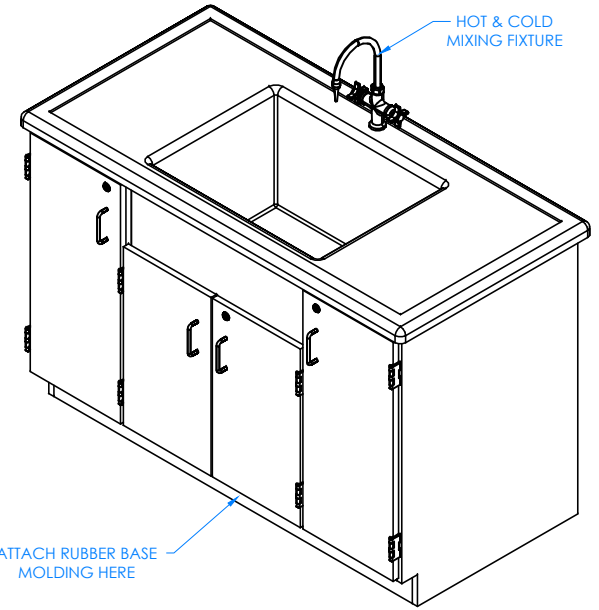
PLACE UNIT OVER PLUMBING HOOK-UP. LEVEL CABINET AND ANCHOR TO WALL. CABINETS MUST BE LEVELED OR DOORS AND DRAWERS MAY NOT OPEN OR CLOSE CORRECTLY .



DOORS REMOVED TO SHOW CLARITY

STEP 2:

INSERT SHELF CLIPS IN DESIRED LOCATION. PLACE SHELVES ON CLIPS, MAKING SURE THEY ARE LEVEL.



COMPLETE UNIT SHOWN

STEP 3:

ATTACH RUBBER BASE MOLDING TO BASE OF CABINET USING CONTACT CEMENT. AFTER MOLDING IS IN PLACE, SCREW STAINLESS STEEL CORNER BRACKETS ON EACH CORNER OVER THE BASE MOLDING WITH SCREWS PROVIDED. MOUNT FIXTURE INTO PLACE AND HOOK UP WATER AND DRAIN.

NOTE:

1. ALL PLUMBING NEEDS TO BE DONE BY A LICENSED PLUMBER PER LOCAL CODE.

DWN BY:	EMK	DWN DATE:	4/21/15
APR BY:		DATE APR:	
APR BY:		DATE APR:	

UNLESS OTHERWISE SPECIFIED DIMENSION ARE IN INCHES  
 CABINET SQUARENESS ± .0625  
 FRACTIONAL VALUES ± 1/32"  
 - ALL VALUES ± OVERALL -



300 South Krueger Street  
 Suring, WI 54174  
 diversifiedwoodcrafts.com

TITLE:  
**CLEAN UP SINK  
 ASSEMBLY INSTRUCTIONS**

REV.	DESCRIPTION	DATE	NAME	ECH NO.
A	CREATED ASSEMBLY INSTRUCTIONS	4/21/15	EMK	-
				REVISION LEVEL

THIS DRAWING IS THE SOLE PROPERTY OF DIVERSIFIED WOOD CRAFTS. IT MAY NOT BE ALTERED OR CHANGED WITHOUT PERMISSION

DRAWING NUMBER:

**3303K**

SCALE:	SHEET:	REVISION:
NTS	3 OF 3	REV A