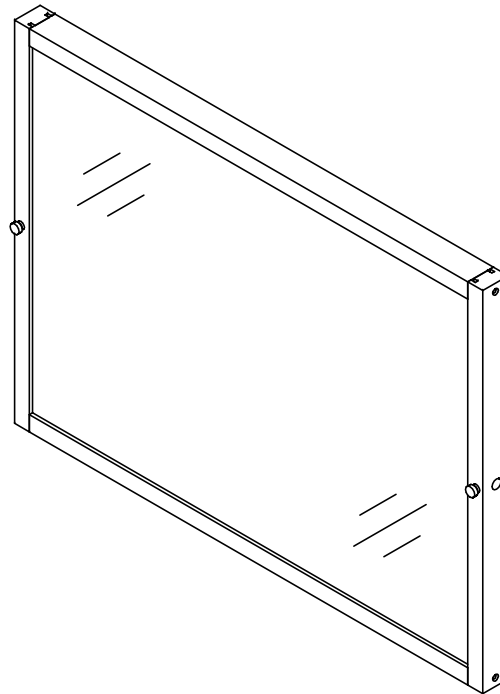


# MIRROR/MARKER BOARD

4000K & 4001K  
ASSEMBLY INSTRUCTIONS



NOTE:

1. MODEL VIEWS MAY NOT REPRESENT EXACT MODEL PURCHASED

DWN BY:	EMK	DWN DATE:	3/11/15
APR BY:		DATE APR:	
APR BY:		DATE APR:	

UNLESS OTHERWISE SPECIFIED  
DIMENSION ARE IN INCHES  
CABINET SQUARENESS ± .0625  
FRACTIONAL VALUES ± 1/32"  
- ALL VALUES ± OVERALL -



300 South Krueger Street  
Suring, WI 54174  
diversifiedwoodcrafts.com

TITLE:  
MIRROR/MARKER BOARD  
ASSEMBLY INSTRUCTIONS

REV.	DESCRIPTION	DATE	NAME	ECN NO.
A	CREATED ASSEMBLY INSTRUCTIONS	3/11/15	EMK	-
REVISION LEVEL				

THIS DRAWING IS THE SOLE PROPERTY OF  
DIVERSIFIED WOOD CRAFTS. IT MAY NOT  
BE ALTERED OR CHANGED WITHOUT  
PERMISSION

DRAWING NUMBER:	SCALE:	SHEET:	REVISION:
4000K & 4001K	NTS	1 OF 3	REV A

## ASSEMBLY COMPONENTS

ITEMS INCLUDED	PART #	PART DESCRIPTION	QTY
MIRROR/MARKER BOARD	4000K & 4001K	COMBO-MIRROR/DRY ERASE MARKER BOARD	1

NOTE:

1.

DWN BY:	EMK	DWN DATE:	3/11/15
APR BY:		DATE APR:	
APR BY:		DATE APR:	

UNLESS OTHERWISE SPECIFIED  
DIMENSION ARE IN INCHES  
CABINET SQUARENESS ± .0625  
FRACTIONAL VALUES ± 1/32"  
- ALL VALUES ± OVERALL -



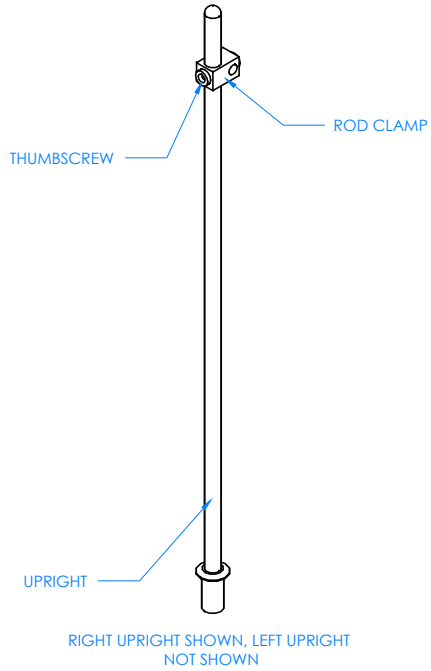
300 South Krueger Street  
Suring, WI 54174  
diversifiedwoodcrafts.com

TITLE:  
**MIRROR/MARKER BOARD  
TOOLS AND ASSEMBLY COMPONENTS**

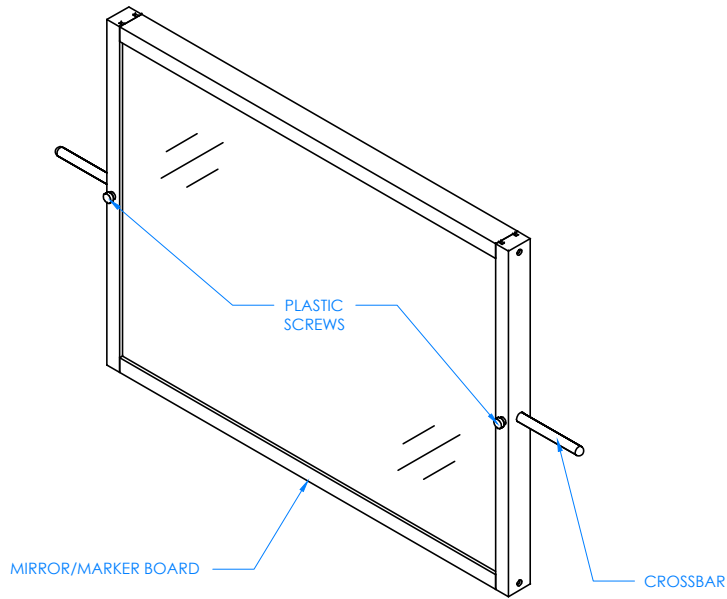
REV.	DESCRIPTION	DATE	NAME	ECN NO.
A	CREATED ASSEMBLY INSTRUCTIONS	3/11/15	EMK	-
				REVISION LEVEL

THIS DRAWING IS THE SOLE PROPERTY OF  
DIVERSIFIED WOOD CRAFTS. IT MAY NOT  
BE ALTERED OR CHANGED WITHOUT  
PERMISSION

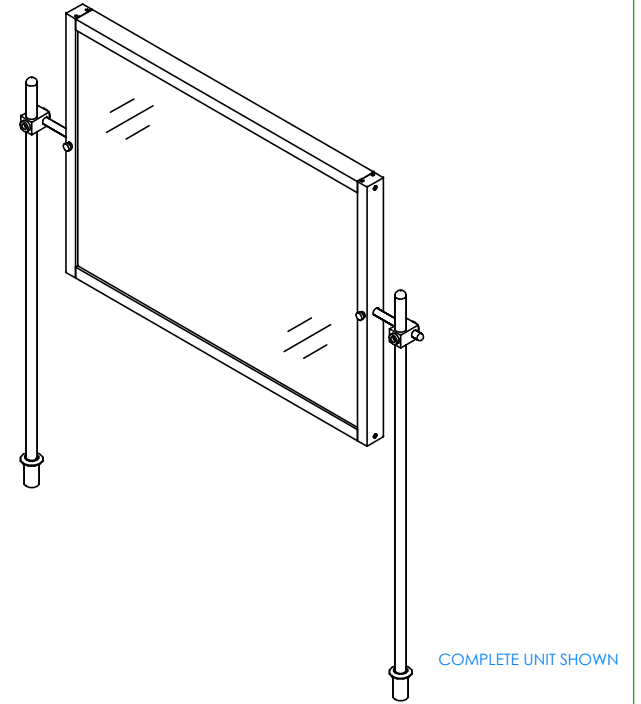
DRAWING NUMBER: <b>4000K &amp; 4001K</b>	SCALE: NTS	SHEET: 2 OF 3	REVISION: REV A
---	---------------	------------------	--------------------



STEP 1:  
SLIDE THE ROD CLAMPS OVER ONE OF THE UPRIGHTS AND TIGHTEN IN DESIRED LOCATION USING THUMBSCREWS PROVIDED ON CLAMPS. REPEAT ON OTHER UPRIGHT.



STEP 2:  
SLIDE CROSSBAR THROUGH HOLES ON SIDE OF MIRROR/MARKER BOARD AND TIGHTEN DOWN WITH PLASTIC SCREWS ATTACH TO BOARD.



STEP 3:  
SLIDE CROSSBAR THROUGH ONE OF THE CLAMPS. POSITION OTHER SIDE THROUGH THE OTHER CLAMP.

NOTE:

1.

DWN BY:	EMK	DWN DATE:	3/11/15
APR BY:		DATE APR:	
APR BY:		DATE APR:	

UNLESS OTHERWISE SPECIFIED DIMENSION ARE IN INCHES  
CABINET SQUARENESS ± .0625  
FRACTIONAL VALUES ± 1/32"  
- ALL VALUES ± OVERALL -



300 South Krueger Street  
Suring, WI 54174  
diversifiedwoodcrafts.com

TITLE:  
MIRROR/MARKER BOARD  
ASSEMBLY INSTRUCTIONS

A	DESCRIPTION	DATE	NAME	ECH NO.
	CREATED ASSEMBLY INSTRUCTIONS	3/11/15	EMK	-
REVISION LEVEL				

THIS DRAWING IS THE SOLE PROPERTY OF DIVERSIFIED WOOD CRAFTS. IT MAY NOT BE ALTERED OR CHANGED WITHOUT PERMISSION

DRAWING NUMBER:	SCALE:	SHEET:	REVISION:
4000K & 4001K	NTS	3 OF 3	REV A