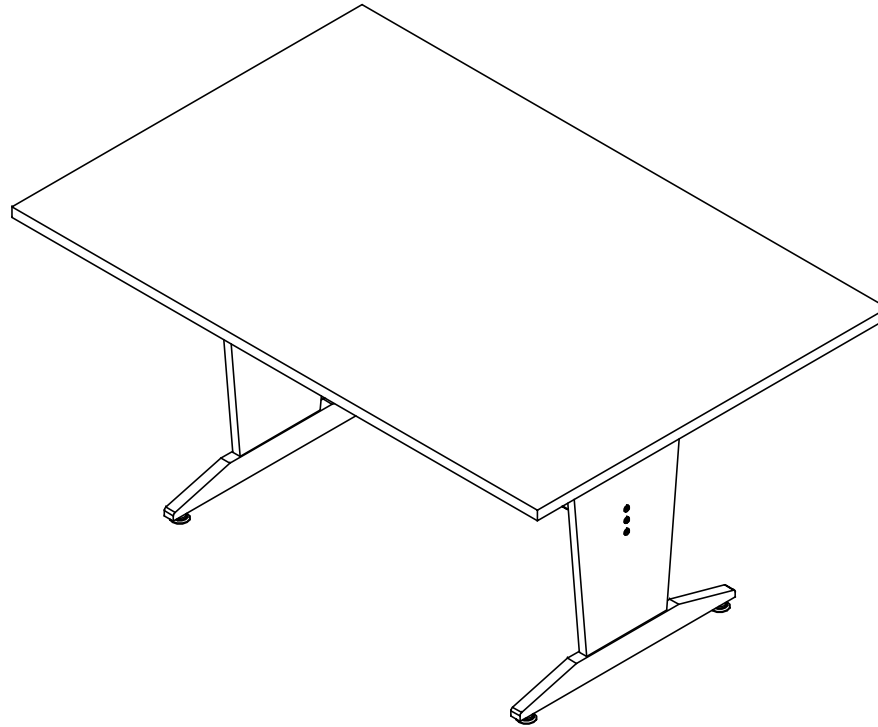


XL PEDESTAL TABLE

PT-7248

ASSEMBLY INSTRUCTIONS



NOTE:

1. MODEL VIEWS MAY NOT REPRESENT EXACT MODEL PURCHASED

DWN BY:	EMK	DWN DATE:	10/24/14
APR BY:		DATE APR:	
APR BY:		DATE APR:	

UNLESS OTHERWISE SPECIFIED
DIMENSION ARE IN INCHES
CABINET SQUARENESS ± .0625
FRACTIONAL VALUES ± 1/32"
- ALL VALUES ± OVERALL -



300 South Krueger Street
Suring, WI 54174
diversifiedwoodcrafts.com

TITLE:
XL PEDESTAL TABLE
ASSEMBLY INSTRUCTIONS

REV.	DESCRIPTION	DATE	NAME	ECN NO.
A	CREATED ASSEMBLY INSTRUCTIONS	10/24/14	EMK	-
REVISION LEVEL				

THIS DRAWING IS THE SOLE PROPERTY OF
DIVERSIFIED WOOD CRAFTS. IT MAY NOT
BE ALTERED OR CHANGED WITHOUT
PERMISSION

DRAWING NUMBER:
PT-7248

SCALE:	SHEET:	REVISION:
NTS	1 OF 3	REV A

TOOLS REQUIRED

4MM ALLEN WRENCH

ASSEMBLY COMPONENTS

ITEMS INCLUDED	PART #	PART DESCRIPTION	QTY
TOP	N/A	TOP - 72" W X 48" D - STYLE VARIES	1
HARDWARE BAG	15-0069	PT HARDWARE BAG - INCLUDES (4) LEG LEVELERS, (11) SCREWS FOR TOP, AND (1) HEX KEY	1
LEG PANEL ASSEMBLY	N/A	LEG,PANEL,PED,ASSY,36H	2
STRETCHER	N/A	STRETCHER - 1.00" X 4.50" X 46.50" - LOWER	1
STRETCHER	N/A	STRETCHER - 1.00" X 2.50" X 46.50" - UPPER	1
CONFIRMATS - STRETCHERS	237959	SCREW,7MMX70MM,CONN,ALLENHEAD, BLACK	10

NOTE:

- TOP STYLES = MAPLE (M), NATURAL BIRCH P.LAM (PNB), OR ALMOND P.LAM (P).

DWN BY:	EMK	DWN DATE:	10/24/14
APR BY:		DATE APR:	
APR BY:		DATE APR:	

UNLESS OTHERWISE SPECIFIED
DIMENSION ARE IN INCHES
CABINET SQUARENESS ± .0625
FRACTIONAL VALUES ± 1/32"
- ALL VALUES ± OVERALL -



300 South Krueger Street
Suring, WI 54174
diversifiedwoodcrafts.com

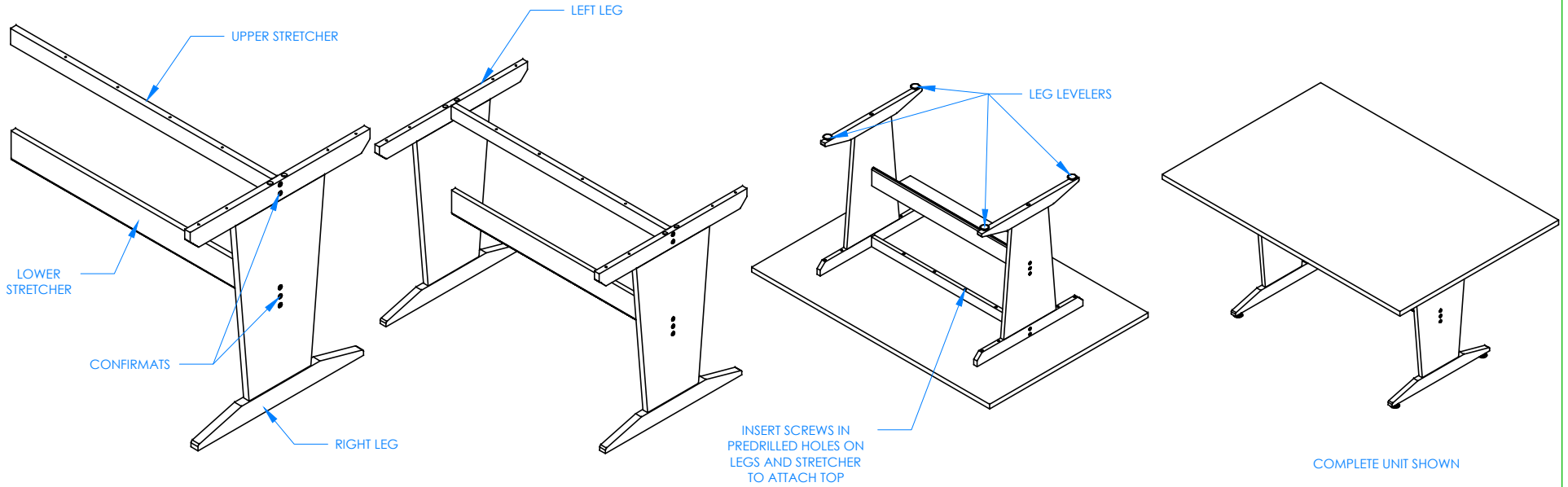
TITLE:
XL PEDESTAL TABLE
TOOLS AND ASSEMBLY COMPONENTS

REV.	DESCRIPTION	DATE	NAME	ECH NO.
A	CREATED ASSEMBLY INSTRUCTIONS	10/24/14	EMK	-

REVISION LEVEL

THIS DRAWING IS THE SOLE PROPERTY OF
DIVERSIFIED WOOD CRAFTS. IT MAY NOT
BE ALTERED OR CHANGED WITHOUT
PERMISSION

DRAWING NUMBER:	SCALE:	SHEET:	REVISION:
PT-7248	NTS	2 OF 3	REV A



STEP 1:

TAKE THE RIGHT TABLE LEG AND INSERT LOWER STRETCHER THROUGH THE PREDRILLED HOLES. ATTACH WITH CONFIRMATS PROVIDED. DO THE SAME TO THE UPPER STRETCHER.

STEP 2:

WITH THE LEFT LEG, REPEAT STEP ONE. MAKE SURE EACH CONFIRMAT IS TIGHT AND STRETCHERS ARE STRAIGHT BEFORE MOVING ON.

STEP 3:

FLIP LEG ASSEMBLY OVER AND CENTER LEGS ONTO TOP. MAKE SURE TOP IS SET ON A CLEAN SURFACE TO PREVENT DAMAGE. ATTACH THE LEGS TO TOP USING SCREWS PROVIDED. SCREW LEG LEVELERS INTO T-NUT ON BOTTOM OF LEGS.

STEP 4:

TURN TABLE OVER AND ADJUST LEG LEVELERS TO LEVEL THE TABLE. SET TABLE IN PLACE.

NOTE:

- 1.

DWN BY:	EMK	DWN DATE:	10/24/14
APR BY:		DATE APR:	
APR BY:		DATE APR:	

UNLESS OTHERWISE SPECIFIED DIMENSION ARE IN INCHES
 CABINET SQUARENESS ± .0625
 FRACTIONAL VALUES ± 1/32"
 - ALL VALUES ± OVERALL -



300 South Krueger Street
 Suring, WI 54174
 diversifiedwoodcrafts.com

TITLE:
**XL PEDESTAL TABLE
 ASSEMBLY INSTRUCTIONS**

REV.	DESCRIPTION	DATE	NAME	ECN NO.
A	CREATED ASSEMBLY INSTRUCTIONS	10/24/14	EMK	-
REVISION LEVEL				

THIS DRAWING IS THE SOLE PROPERTY OF
 DIVERSIFIED WOOD CRAFTS. IT MAY NOT
 BE ALTERED OR CHANGED WITHOUT
 PERMISSION

DRAWING NUMBER:	SCALE:	SHEET:	REVISION:
PT-7248	NTS	3 OF 3	REV A