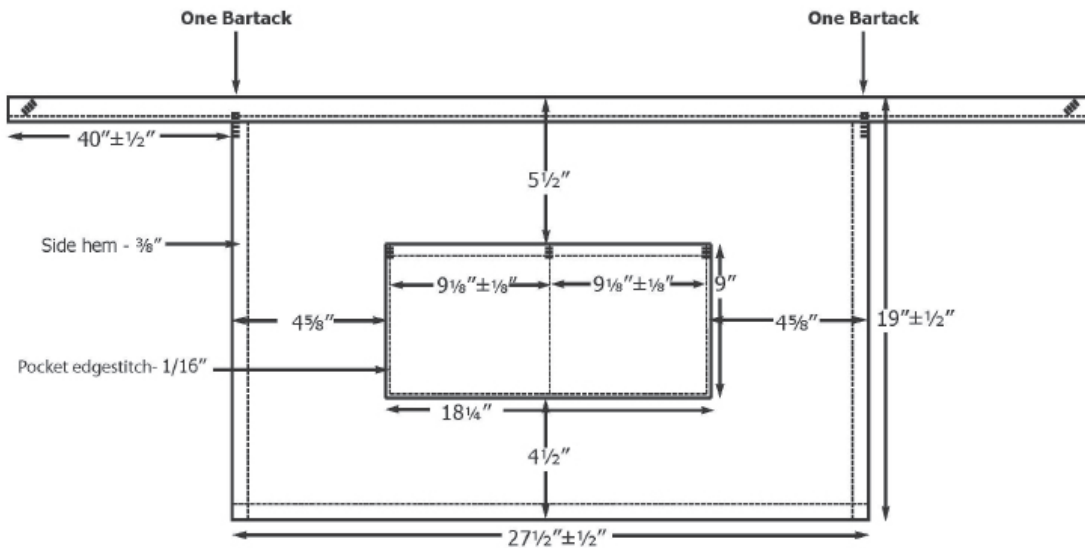




HALF BISTRO APRON - 2-POCKET #9007

- 65% Polyester/35% Cotton twill; 7 oz.wt.
- Half bistro; two pocket waist apron
- 19" L X 28"W
- Long ties for back or front closure
- Machine washable

PRODUCT MEASUREMENTS



000 White
11-0601 TCX



010 Black
19-4008 TCX



030 Pinstripe
19-4008 TCX /
11-0601 TCX