

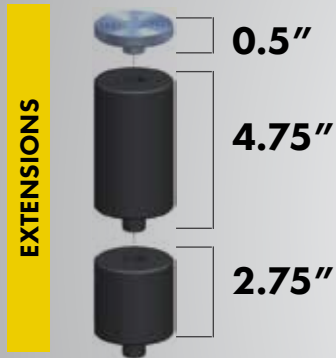
# 66/33/17 Ton Air Hydraulic Jack

PROFESSIONAL  
SERIES



## MODEL 92007

# YAK®



Easy to Use Up/Down Function Operation. Adjust Handle Position with Simple Motion

Comes with (3) Extensions for Variable Height. Storage on Handle.

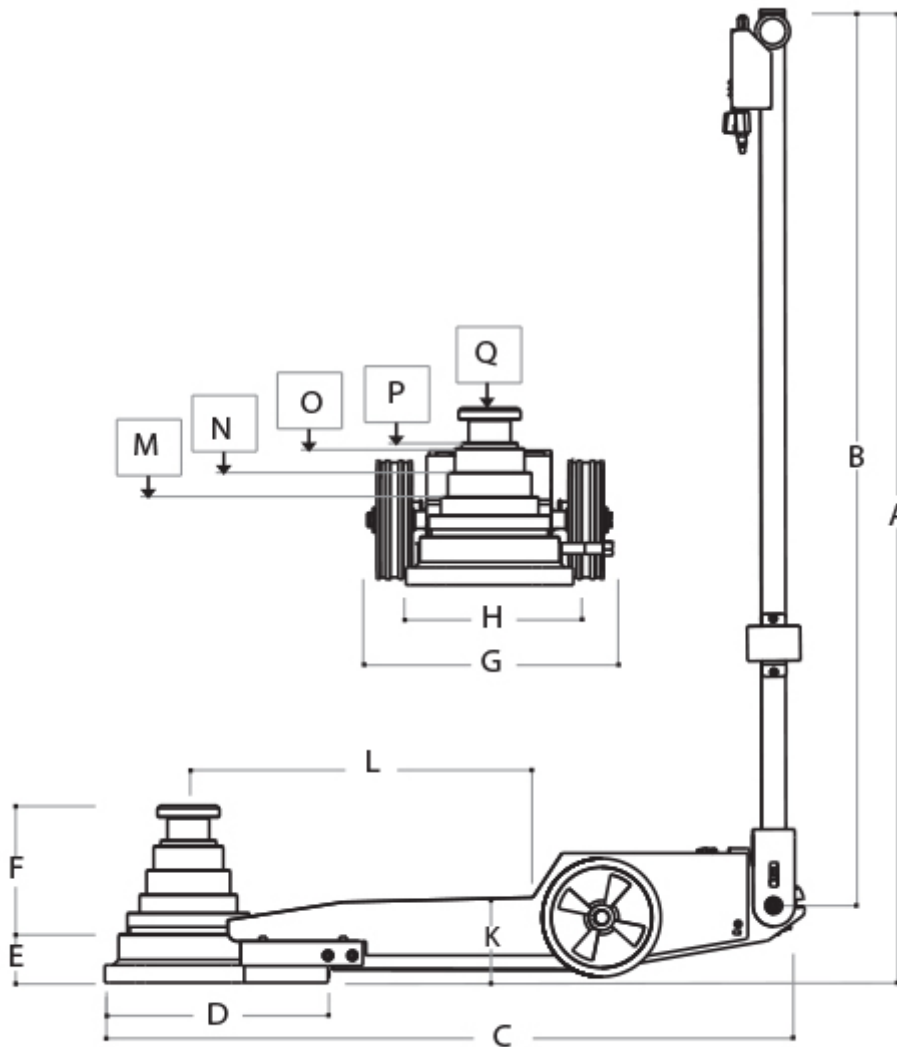
Centrally Place Wheels for Perfect Balance and Ease of Movement.

3 Stage Jack:  
66 TON (1)  
33 TON (2)  
17 TON (3)

## Benefits & Features:

- ▶ Air hydraulic jack for heavy vehicles, practical and easy to handle.
- ▶ The pistons move back automatically; the two descent valves guarantee perfect holding in all situations and controlled speed under load.
- ▶ Ideal for workshops, mobile workshops, tire repairers and bodywork shops.





<b>Model Style</b>	92007 YAK 312
<b>Capacity</b>	66/33/17 Ton
<b>Net Weight</b>	110 lbs.
<b>Working Air Pressure</b>	116-145 psi
<b>A</b>	54.53"
<b>B</b>	51.77"
<b>C</b>	26"
<b>D</b>	13"
<b>E</b>	4.74"
<b>F</b>	5.31"
<b>G</b>	11.81"
<b>H</b>	9.84"
<b>K</b>	NA
<b>L</b>	NA
<b>M</b>	66 TON
<b>N</b>	33 TON
<b>O</b>	17 TON
<b>P</b>	NA
<b>Q</b>	NA