



# 2019

# SALES & MARKETING

[lomart.com](http://lomart.com)





## 2019 PRODUCT OVERVIEW

### POOLS

Seville

Deluxe Summer Serenade

Silver Sierra

Grey Mist

Whispering Wind Two

Whispering Wind Two In-Step

*\*All pools will have a 100% Lifetime warranty on the bottom rails*

### LINERS

**Heavy Duty Overlap**

**Premium Variable Depth**

**Premium Snap-Fast**

Pacific Blue

Capri

Athena Two

Sea Mist

Sunset Cove

### FILTERS / PUMPS

Spectra 4 Filters • Hdyra DE • Promega Series Pumps

### ACCESSORIES

Thru-the-Wall Hydro Skimmer • Pool Vacuums

Entry Systems • Accessories

*Pool Warranties: See warranty sheet in pool section. Liner Warranties: See warranty sheet in liner section.*



## LOMART CONTACT LIST

### **MANUFACTURING PLANT, WEST HELENA, AR ..... (800) 266-4740**

Fax..... (870) 572-9711

**Doug Hollowell, President**..... Ext. 8240

*dhollowell@doughboypools.com*

**Larry Groves, Traffic Manager** ..... Ext. 8220

*lgroves@doughboypools.com*

**Kathy Chisnall, Credit & Collections Department**..... Ext. 8265

*kchisnall@doughboypools.com*

### **CORPORATE HEADQUARTERS, SOUTHAVEN, MS ..... (662) 890-7930**

Fax..... (662) 890-0407

**Robyn Embrey-Bobo, Sales & Marketing Director**..... Ext. 2

*rbobo@doughboypools.com*

**Kelly Christiansen, Marketing Coordinator**.....Ext. 1

*marketingdept@doughboypools.com*

**Diana Thornton, Art Director**..... (901) 848-0167

*dthornton@doughboypools.com*

### **SALES ORDER DESK, TOLL FREE .....(800) 266-4741**

Sales, Toll Free Fax ..... (800) 736-8545

Email..... *salesorders@doughboypools.com*

**Diane Clemons, Sales Order**..... *dclemons@doughboypools.com*

**Angie Wilson, Sales Order**..... *awilson@doughboypools.com*

### **CUSTOMER SERVICE, TOLL FREE..... (877) 228-4586**

Customer Service, Toll Free Fax..... (877) 228-4585

Customer Service Parts..... *csparts@doughboypools.com*

**Bree Newsom, Customer Service Manager**..... *gnewsom@doughboypools.com*

**Deborah Galloway, Customer Service**..... *dgalloway@doughboypools.com*

**Crystal Webb, Customer Service**..... *cwebb@doughboypools.com*

---

Manufacturing Plant  
P.O. Box 2457  
315 North Sebastian Street  
West Helena, AR 72390

Corporate Headquarters  
6928 Cobblestone Blvd N  
Suite 200B  
Southaven, MS 38672



# Lomart

A DIVISION OF H.I.I.

## LOMART SALES REPRESENTATIVES

**BLAIR SHUPE**

Phone: 801.394.4707  
Cell: 801.510.6724  
Fax: 801.394.4625  
[bshupe@doughboypools.com](mailto:bshupe@doughboypools.com)

**CANADIAN DIVISION/BOB GILFOIL**

877.903.7665, ext: 102  
Fax: 416.750.2102  
[bgilfoil@doughboypools.ca](mailto:bgilfoil@doughboypools.ca)

**CANADIAN DIVISION/TONY FARRUGIA**

Phone: 877.903.7665, ext: 103  
Cell: 647.223.8490  
[tfarrugia@doughboypools.ca](mailto:tfarrugia@doughboypools.ca)

**BULLDOG SALES/MARTY PAPAK**

Cell: 810.459.5002  
Fax: 810.793.4685  
[mpapak@doughboypools.com](mailto:mpapak@doughboypools.com)  
[hottubmart@aol.com](mailto:hottubmart@aol.com)

**DCA/CHET WILLIAMS**

Cell: 404.886.4419  
Fax: 813.265.3029  
[chet@devincahn.com](mailto:chet@devincahn.com)

**DCA/MARY DIVITTORIO**

Cell: 704.241.8384  
Fax: 813.265.3029  
[mary@devincahn.com](mailto:mary@devincahn.com)

**DCA/MIKE KRAEMER**

Cell: 480.290.0519  
Fax: 813.265.3029  
[mikek@devincahn.com](mailto:mikek@devincahn.com)

**DCA/SCOTT WALLACE**

Cell: 321.689.6003  
Fax: 813.265.3029  
[scott@devincahn.com](mailto:scott@devincahn.com)

**DCA/STUART CAHN**

Cell: 813.477.8176  
Fax: 813.265.3029  
[stuart@devincahn.com](mailto:stuart@devincahn.com)

**FRAZIER-MCKENNA ASSOC., INC./**

**DORIAN FRAZIER**

Phone: 815.969.9305  
Cell: 815.670.7596  
Fax: 800.849.0174  
[dfrazier@doughboypools.com](mailto:dfrazier@doughboypools.com)

**FRAZIER-MCKENNA ASSOC., INC./**

**MIKE MCKENNA**

Cell: 847.910.9132  
Fax: 800.849.0174  
[mike@fraziermckenna.com](mailto:mike@fraziermckenna.com)

**HOLLIS SMITH & ASSOC. INC.**

Phone: 214.802.2908  
[hollis@hollissmith.com](mailto:hollis@hollissmith.com)

**JIM CROSS**

Phone: 616.551.0075  
Cell: 904.612.2312  
Fax: 616.551.0075  
[jcross@doughboypools.com](mailto:jcross@doughboypools.com)

**RC SALES / RON CLEMENTS**

Phone: 313.537.5550  
Cell: 586.747.4539  
Fax: 313.537.5557  
[ronclements44@aol.com](mailto:ronclements44@aol.com)

**SEMCO SALES/JOE SEMIRARO**

Phone: 732.551.2740  
Cell: 609.346.7564  
Fax: 732.551.2745  
[joesem@netzero.net](mailto:joesem@netzero.net)

**SPRINGBOARD MARKETING/  
TONY COLLICA**

Phone: 516.546.8543  
Cell: 516.987.9058  
Fax: 516.546.3553  
[collica@optonline.net](mailto:collica@optonline.net)



## ALL ABOUT LOMART

For over 70 years, the Lomart name has stood for high quality, yet affordable pool products. We began as filtration specialists and have subsequently become an integral part of the world's leading aboveground pool manufacturer.

All Lomart products are proudly Manufactured in the U.S.A. to ensure exceptional quality. In addition, our 660,000 sq. ft., state-of-the-art manufacturing facility combines complete product development with all phases of product manufacturing to assure maximum efficiency and product excellence. Our centrally located Arkansas warehouse of over 100,000 sq. ft. permits rapid shipments with the fastest possible delivery.

Lomart can offer your customers everything they need to experience the best in backyard fun and recreation. We've maintained this tradition and we plan to continue the unsurpassed service!





## THE LOMART ADVANTAGE

The Lomart Advantage means a variety of affordable above-ground pools designed to fit every backyard and every budget. After all, a Lomart pool—always an excellent value—is your most complete family fun package, engineered to exacting standards for quality, reliability and long life. But don't just take our word for it. Compare Lomart's exciting features and benefits with those of the competition and you'll soon see why Lomart is your best choice for above-ground swimming pools and pool products.

### Wall & Frame Features

- **Rugged Hot-dipped Galvanized Copper Bearing Steel Pool Wall & Frame** for maximum strength, durability and corrosion resistance.
- **Multi-part treatments with protective coatings** – which include Tuff-Kote™ Zinc Protective Coating, Poly-Lam™ Texture Coating and Double-Kote™ Baked Enamel Finish – for long product life. Available on most models.
- **Heavyweight Pool Construction makes Lomart pools up to 25% heavier than most other pools in the industry.** Our state of the art manufacturing techniques and extremely rugged pool components combine perfectly for pools built to last a lifetime.
- **Up to 20% More Upright Verticals** than most other pools in the industry to provide optimum pool stability.
- **Large assortment of round and oval sizes** to accommodate any size backyard.
- **Textured Resin Top Connectors** offer a sleek, corrosion-resistant, one-piece enclosure of the top rail without seams or exposed screws.
- **Streamlined Structural Design** enhances pool strength and allows for an easy, efficient installation.
- **Tru-Lock™ Wall Closure** offers a newly-designed fastening system for maximum strength, greater wall stability and a faster, easier assembly.
- **Trimline Space Saver™ Oval Support System** features an easy-to-install, one-part design which provides a stronger installation and a more attractive appearance. Allows larger pools to fit into smaller backyard settings.

### Liner Features

- **Heavyweight Pool Liners**, heavier than most liners in the industry, are designed to last. Premium liners are manufactured with full 20 mil material on both the sidewall and pool bottom.
- **Special Manufacturing Process** using natural raw materials and ultraviolet ray inhibitors gives Lomart complete control over the top-quality vinyl used to create our liners.
- **Choice of beautiful, patterned liners** or solid blue liners to match your style and backyard decor.
- **Variable Depth Liners**, featuring additional surface area of our rugged sidewall vinyl, allow for an Optional Special-Purpose Deep Swimming Area for underwater swimming only.

## Other Advantages

- **A Full Line of Above-Ground Pool Products** including filters, skimmers, pool ladders, automatic pool cleaners and much more.
- **Custom, Thru-the-wall Hydro Skimmer**, constructed of high-impact ABS resins, features an extra-large skimmer opening for superb skimming action. Easy-to-use design keeps pool water looking great. Available in white, tan or gray.
- **Pool Safety Program** to promote the safe and correct use of above-ground pools.
- **Made in the USA with over 70 years of manufacturing experience** at our 660,000 sq. ft. plant in West Helena, Arkansas to ensure quality craftsmanship.
- **Generous Warranties** to assure product excellence.

# DARE TO COMPARE

There are many choices in today's above-ground pool market. Lomart pools are among the best in the industry and we would like to prove it to you. Read over our facts and Dare to Compare us with our competitors! We are confident you'll agree – Lomart is your best choice for above-ground swimming pools.

## Heavier Pool Walls

**Fact:** Lomart Walls are made from heavier Copper Bearing Steel than industry standards — 30 to 60 pounds heavier for superior strength.

## More Vertical Supports

**Fact:** Lomart Pools have as many as 20% more vertical supports than other brands to ensure stability during heavy family use or the coldest of winters.

## Trimline Oval Supports

**Fact:** Lomart Oval Supports extend only 9 inches beyond the sidewall, not the standard 36 inches. This allows a Lomart 18-foot wide pool to be installed in the same space as another brand's 15-foot wide pool.

## Precision Frame Holes

**Fact:** Lomart Pools are built with strength throughout, right down to the vertical end cap holes that allow for precision-fit construction. Other brands use the cheaper, easier to produce slotted holes that weaken the pools structural integrity. Shake a Lomart pool and you'll know it's well built!

## Family Safety Program

**Fact:** Lomart is committed to pool safety! Our safety handbook, liner decals, video and signage, recommended by the US Consumer Products Safety Commission, are included with every pool!

## Deep Swim Area Pools

**Fact:** Lomart Variable Depth Liners expand to more than 72 inches deep for a large underwater swimming area while competitors raise their pool walls to 54 inches above ground reducing or eliminating parental visual safety observation.

## No Stainless Panel

**Fact:** Lomart Pools unique design protects the pool wall from leakage and damage. Using a special skimmer U-gasket and advanced wall coatings, Lomart eliminates the dangerous effect of "Dissimilar Metal Corrosion" which is caused by incorporating stainless steel panels with galvanized steel pool walls. Over time this will cause the wall at the two connection points to rust away and lead to pool failure. Our designs ensure structural integrity and beauty throughout the Lomart pool line.

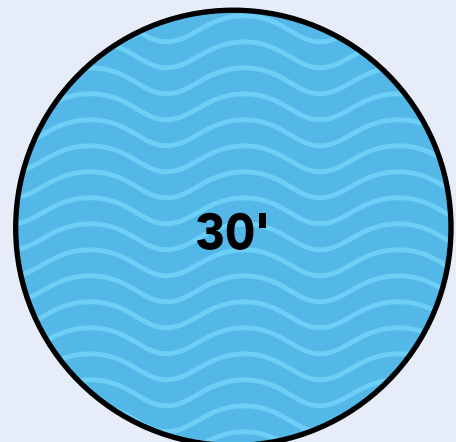
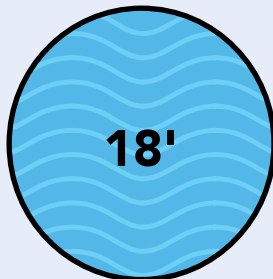
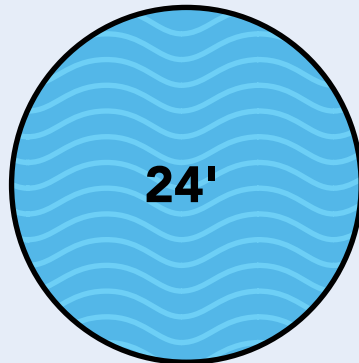
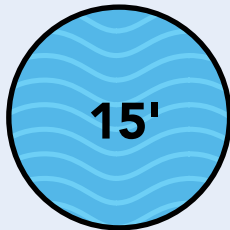


Lomart Pool Products • 315 N. Sebastian Street • West Helena, AR 72390  
Visit our website at [www.lomart.com](http://www.lomart.com) • Made in the USA





# THE RIGHT SIZE POOL



## Additional Gallon Capacities

|    | 48"    | 48" Exp. | 52"    | 52" Exp. |
|----|--------|----------|--------|----------|
| 12 | 3,099  | 3,550    | 3,358  | 3,809    |
| 15 | 4,762  | 5,325    | 5,159  | 5,722    |
| 18 | 6,858  | 8,800    | 7,429  | 9,371    |
| 21 | 9,334  | 11,300   | 10,112 | 12,078   |
| 24 | 12,192 | 14,025   | 13,208 | 15,041   |
| 27 | 15,430 | 18,350   | 16,716 | 19,636   |
| 30 | 19,050 | 22,734   | 20,637 | 24,321   |

*Whispering Wind III available in 54" pool wall. Contact your local Sales Representative for more information.  
Seville & Grey Mist pool not applicable.*



# THE RIGHT SIZE POOL

10' x 15'

12' x 20'

12' x 24'

15' x 24'

15' x 30'

15' x 31'

18' x 33'

18' x 36'

18' x 39'

## Additional Gallon Capacities

|       | 48"    | 48" Exp. | 52"    | 52" Exp. |
|-------|--------|----------|--------|----------|
| 10x15 | 3,464  | 4,151    | 3,753  | 4,440    |
| 12x20 | 5,635  | 6,735    | 6,105  | 7,205    |
| 12x24 | 6,929  | 7,640    | 7,506  | 8,217    |
| 15x24 | 8,401  | 9,500    | 9,101  | 10,200   |
| 15x30 | 10,826 | 12,025   | 11,728 | 12,927   |
| 15x31 | 11,230 | 12,430   | 12,166 | 13,366   |
| 18x33 | 14,134 | 17,079   | 15,312 | 18,257   |
| 18x36 | 15,590 | 18,535   | 16,889 | 19,834   |
| 18x39 | 17,045 | 19,990   | 18,465 | 21,410   |

Whispering Wind III available in 54" pool wall. Contact your local Sales Representative for more information.  
Seville & Grey Mist pool not applicable.



Lomart Pool Products • 315 N. Sebastian Street • West Helena, AR 72390  
Visit our website at [www.lomart.com](http://www.lomart.com) • Made in the USA

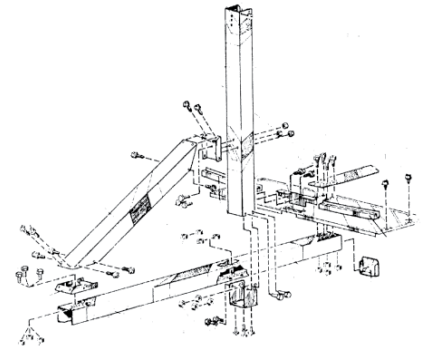




## CONVENTIONAL OVAL SUPPORTS VS. TRIMLINE SPACE SAVER™ OVAL SUPPORTS

### Conventional Oval Support System

Conventional oval side supports require more space to install, more blocks or concrete pads and are much more labor intensive to assemble.



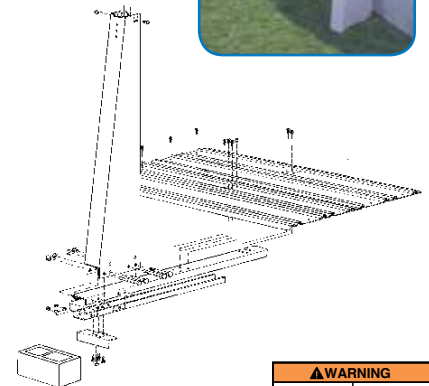
### Trimline Space Saver™ Oval Support System

With the Trimline Space Saver™ Oval Support System larger pool models can be installed in the same pool area. A 12 feet wide oval with the Trimline support only requires 13.5 feet compared to the 18 feet needed for a conventional support. The customer saves 4.5 feet of their yard space giving them the option to select a larger Lomart oval pool.



#### Trimline Space Saver™ Oval Support System Benefits:

- **One-part design;** the Trimline support is a part of the side vertical for a more efficient pool installation.
- **Less parts allow for a stronger assembly.**
- **Only 9" of support is exposed** for a more attractive appearance.
- **Stylish tapered support design.** No unsightly hold down plates, buttress diagonals or diagonal caps.
- **Much easier to install** than a conventional side support; takes half the time.
- **Only one cinder block or concrete pad per vertical** needed for installation, compared to two blocks or pads required for conventional oval support.
- **Trimline supports are more cost effective and require less labor for installation.**





## TRU-LOCK™ WALL CLOSURE

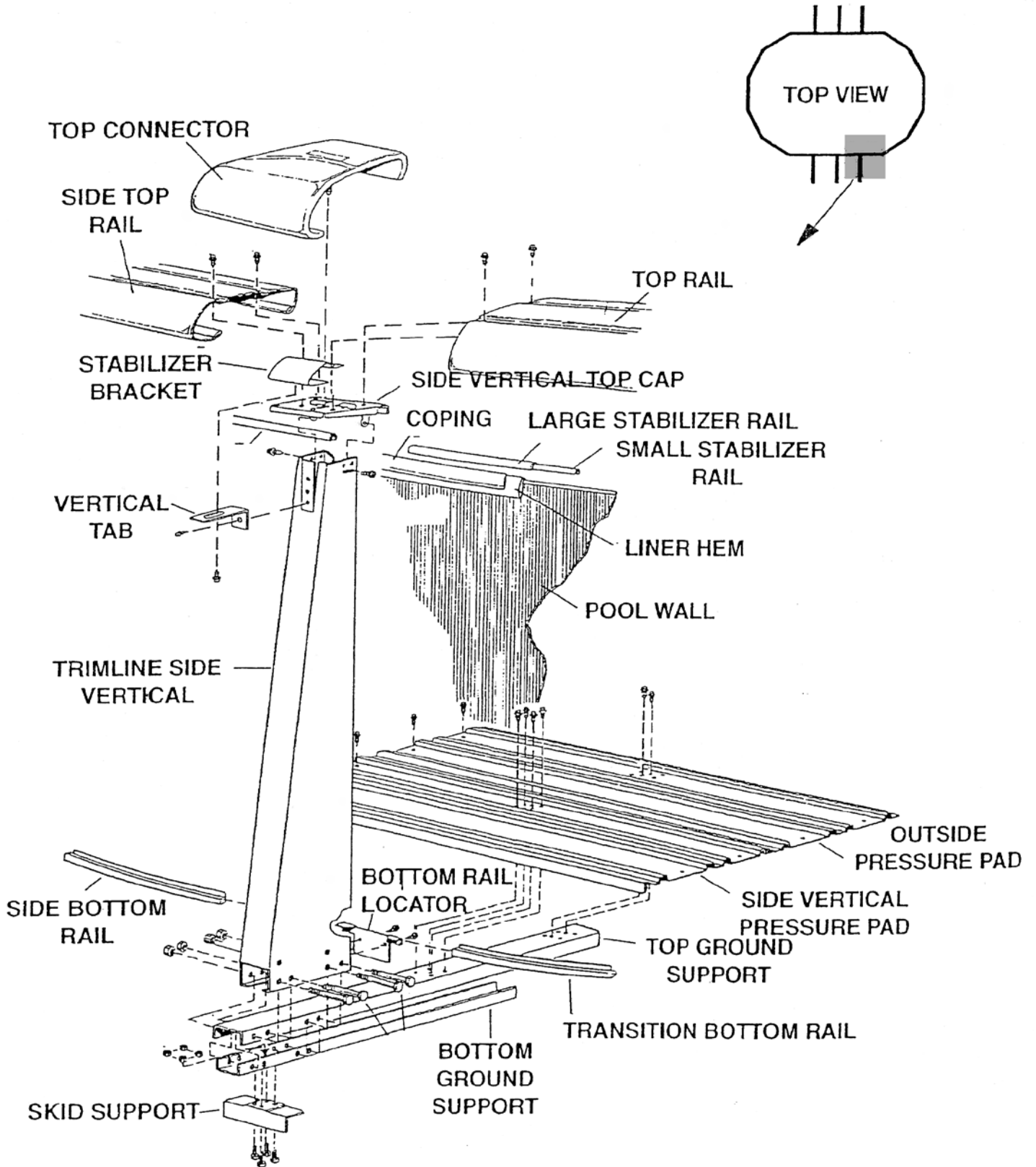
Lomart's Tru-Lock™ Wall Closure offers a newly-designed fastening system for maximum strength, greater wall stability and a faster, easier assembly.



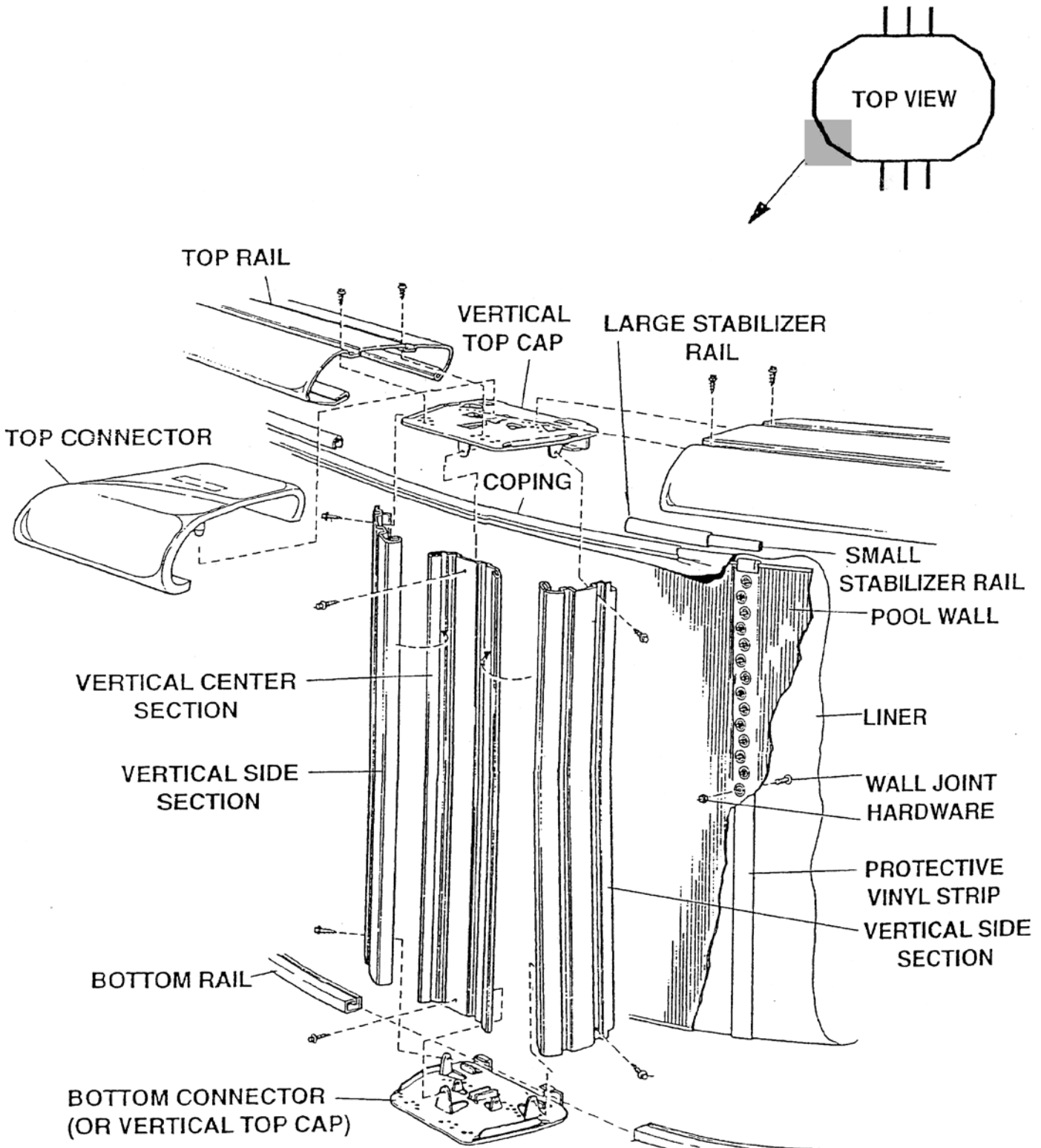
- Allows the pool wall ends to virtually “snap” in place for proper alignment during assembly.
- The design of the bolt heads are flush with the inside pool wall for a smoother liner installation.
- Reduces wall joint assembly time by 50 percent!



# TYPICAL OVAL POOL SIDE SECTION



# TYPICAL ROUND POOL OR ROUND END OF OVAL POOL (8" DELUXE STEEL FRAME)





# SAFETY PROMOTION PROGRAM

## PROMOTING SAFE AND CORRECT USE OF LOMART PRODUCTS.

Our comprehensive safety promotion program has become a standard for the entire above-ground pool industry. It is very important to advise your customers of proper pool safety. Also, be sure to set a good example for your customers by placing all safety decals and signage in the appropriate locations on all of your display pools.

**"WARNING —NO DIVING"  
DECAL  
NO. 0-5000-028**



**SHALLOW 3 1/2 FEET DECAL  
NO. 0-5000-031**



**SHALLOW 3 3/4 FEET DECAL  
NO. 0-5000-035**



**CONNECTOR WARNING DECAL  
NO. 0-5000-033**



**DEEPER AREA DECAL  
For pools with an excavated Optional  
Special-Purpose Deep Swimming Area.  
NO. 0-5000-032**



**"WARNING — NO DIVING/PREVENT DROWNING" POOL SIGN.**  
A 16" x 19 1/4" durable, weather-resistant pool "warning" sign with international safety symbols. The Consumer Product Safety Commission recommends the use of this sign with all residential swimming pools. In addition, manufacturing applies a pressure sensitive version of this sign on all Doughboy pools.

- WALL WARNING SIGN — NO. 0-5000-027**
- FENCING WARNING SIGN — NO. 0-5000-029**
- WALL WARNING DECAL — NO. 0-5000-030**



**NO DIVING TOP RAIL DECAL  
NO. 560-1070**



**"Safety First Pool Use Handbook."**  
A colorful booklet that gives a new pool owner guidelines for safe and correct use of a Lomart above-ground pool, general pool maintenance and recommendations on the placement of their safety material.



**Pool Safety Video.** This 12-14 minute, full-color video offers valuable guidelines on proper pool usage.



## POOL WARRANTIES AT A GLANCE

Lomart Industries backs their products with generous warranties and consumer service policies. The first 3 years of our pool and liner warranties are covered 100% against manufacturer defects (the remainder of each warranty is prorated).

|  |                           |
|--|---------------------------|
| Seville II.....                        | 20 Year                   |
| Grey Mist II .....                     | 35 Year                   |
| Silver Sierra II.....                  | 35 Year                   |
| Deluxe Summer Serenade II .....        | Prorated Limited Lifetime |
| Whispering Wind III (52" & 54") .....  | Prorated Limited Lifetime |
| Whispering Wind III with In-Step ..... | Prorated Limited Lifetime |



## THE SEVILLE II

Seville II successfully blends a beautiful arctic-grey pool frame with a dynamic gray and blue painter's brush-stroke pattern to create a pool model designed to fit any backyard.





# THE SEVILLE II

## POOL FEATURES

Seville II offers exciting features and product benefits designed to provide years of pool enjoyment.

- Rugged 6" painted top rails and 5" verticals
- Poly-Lam™ coated, baked-enamel, 48" high pool wall

## POOL FRAMES AND WALLS

Lomart's pool walls combine designer patterns with premium hot-dipped galvanized copper bearing steel offering:

- Exceptional durability
- Corrosion resistance
- Weatherization protection



- **Smooth-Contoured Top Connectors** are corrosion resistant for long product life



- **Tru-Lock™ Wall Closure** offers a newly-designed fastening system for maximum strength, greater wall stability, and a faster, easier assembly

## LOMART OFFERS A WIDE VARIETY

Rounds: 12', 15', 18', 24' | Ovals: 10' x 15', 12' x 20', 12' x 24', 15' x 31'

## PRODUCT WARRANTIES

Lomart Industries backs their products with generous warranties and consumer service policies. The first 3 years of our pool and liner warranties are covered 100% against manufacturer defects (the remainder of each warranty is prorated). Bottom rails receive a Lifetime 100% warranty. Pool & Frame - 20 year limited.

**IMPORTANT:** The "No Diving" and other Warning signage provided must be installed on each pool as indicated in the instructions provided.

*NOTE: In some photos of the pools in the brochure (or web site), the "No Diving" and other Warning signage may not be visible, such Warning Signage must be installed as indicated in the instructions provided.*

*Hollowell Industries, Inc. stands behind every product we produce pursuant to those representations which are stated in our written warranties. Your dealer/builder/installer/contractor is an independent business and not an agent/representative or employee of Hollowell Industries, Inc. We cannot and do not accept any responsibility for any representations, statements or contracts made by any dealer/builder/installer or contractor.*



Lomart Pool Products • 315 N. Sebastian Street • West Helena, AR 72390  
Visit our website at [www.lomart.com](http://www.lomart.com) • Made in the USA





## THE GREY MIST II

Grey Mist II blends a handsome soft-grey frame with a marble-styled wall in attractive grey color. This classy design enhances any backyard environment.



# THE GREY MIST II

## POOL FEATURES

Grey Mist II offers exciting features and product benefits designed to provide years of pool enjoyment

- Rugged Coated 6" Painted Top Rails and Verticals
- Poly-Lam™ coated, baked-enamel, 52" high pool wall

## POOL FRAMES AND WALLS

Lomart's pool walls combine designer patterns with premium hot-dipped galvanized copper bearing steel offering:

- Exceptional durability
- Corrosion resistance
- Weatherization protection



- **Trimline Space Saver™ Oval Support System** features an easy-to-install, one-part design which provides a stronger installation and a more attractive appearance. Allows larger pools to fit into smaller backyard settings.



- **Texture-molded Top Connectors** with pebble grain design and designer Top Connector Plaque.



- **Tru-Lock™ Wall Closure** offers a newly-designed fastening system for maximum strength, greater wall stability, and a faster, easier assembly.

## LOMART OFFERS A WIDE VARIETY

Rounds: 15', 18', 21', 24', 27' | Ovals: 12' x 24', 15' x 24', 15' x 30', 18' x 33', 18' x 36', 18' x 39'

## PRODUCT WARRANTIES

Lomart Industries backs their products with warranties and consumer service policies that are the best in the above-ground pool industry. All of our pool and liner warranties are covered for the first 3 years at 100% against manufacturer defects (the remainder of each warranty is prorated). Bottom rails receive a Lifetime 100% warranty. Pool & Frame - 35 year limited.

**IMPORTANT:** The "No Diving" and other Warning signage provided must be installed on each pool as indicated in the instructions provided.

*NOTE: In some photos of the pools in the brochure (or web site), the "No Diving" and other Warning signage may not be visible, such Warning Signage must be installed as indicated in the instructions provided.*

*Hollowell Industries, Inc. stands behind every product we produce pursuant to those representations which are stated in our written warranties. Your dealer/builder/installer/contractor is an independent business and not an agent/representative or employee of Hollowell Industries, Inc. We cannot and do not accept any responsibility for any representations, statements or contracts made by any dealer/builder/installer or contractor.*



Lomart Pool Products • 315 N. Sebastian Street • West Helena, AR 72390  
Visit our website at [www.lomart.com](http://www.lomart.com) • Made in the USA





## THE SILVER SIERRA II

This natural design incorporates a silver grey tone and is complimented with resin verticals to create an enchanting backyard.



# THE SILVER SIERRA II

## POOL FEATURES

The Silver Sierra II offers exciting features and product benefits designed to provide years of pool enjoyment

- Heavy duty, resin 8" top rails and 8" verticals for maximum durability, chemical resistance, and protection against solar rays.
- Poly-Lam™ coated, baked-enamel, 52" high pool wall.

## POOL FRAMES AND WALLS

Lomart's pool walls combine designer patterns with premium hot-dipped galvanized copper bearing steel offering:

- Exceptional durability
- Corrosion resistance
- Weatherization protection



- **Trimline Space Saver™ Oval Support System** features an easy-to-install, one-part design which provides a stronger installation and a more attractive appearance. Allows larger pools to fit into smaller backyard settings.



- **Dynamic 6" Top Connectors**



- **Tru-Lock™ Wall Closure** offers a newly-designed fastening system for maximum strength, greater wall stability, and a faster, easier assembly.

## LOMART OFFERS A WIDE VARIETY

Rounds: 12', 18', 21', 24', 27', 30' | Ovals: 12' x 24', 15' x 30', 18' x 33', 18' x 36', 18' x 39'

## PRODUCT WARRANTIES

Lomart Industries backs their products with warranties and consumer service policies that are the best in the above-ground pool industry. All of our pool and liner warranties are covered for the first 3 years at 100% against manufacturer defects (the remainder of each warranty is prorated). Bottom rails receive a Lifetime 100% warranty. Pool & Frame - 35 year limited.

**IMPORTANT:** The "No Diving" and other Warning signage provided must be installed on each pool as indicated in the instructions provided.

**NOTE:** In some photos of the pools in the brochure (or web site), the "No Diving" and other Warning signage may not be visible, such Warning Signage must be installed as indicated in the instructions provided.

Hollowell Industries, Inc. stands behind every product we produce pursuant to those representations which are stated in our written warranties. Your dealer/builder/installer/contractor is an independent business and not an agent/representative or employee of Hollowell Industries, Inc. We cannot and do not accept any responsibility for any representations, statements or contracts made by any dealer/builder/installer or contractor.



Lomart Pool Products • 315 N. Sebastian Street • West Helena, AR 72390  
Visit our website at [www.lomart.com](http://www.lomart.com) • Made in the USA





## DELUXE SUMMER SERENADE II

Deluxe Summer Serenade II combines a soft cream frame with a subtle leaf-like design in shades of taupe. This popular pool model looks great in any outdoor setting.



# DELUXE SUMMER SERENADE II

## POOL FEATURES

Deluxe Summer Serenade II offers exciting features and product benefits designed to provide years of pool enjoyment

- 7" Painted Top Rails and Verticals coated with Poly-Lam™
- Poly-Lam™ coated, baked-enamel, 52" high pool wall

## POOL FRAMES AND WALLS

Lomart's pool walls combine designer patterns with premium hot-dipped galvanized copper bearing steel offering:

- Exceptional durability
- Corrosion resistance
- Weatherization protection



- **Trimline Space Saver™ Oval Support System** features an easy-to-install, one-part design which provides a stronger installation and a more attractive appearance. Allows larger pools to fit into smaller backyard settings.



- **Texture-molded Top Connectors** with pebble grain design and designer Top Connector Plaque.



- **Tru-Lock™ Wall Closure** offers a newly-designed fastening system for maximum strength, greater wall stability, and a faster, easier assembly.

## LOMART OFFERS A WIDE VARIETY

Rounds: 12', 15', 18', 21', 24', 27', 30' | Ovals: 12' x 24', 15' x 24', 15' x 30', 18' x 33', 18' x 36', 18' x 39'

## PRODUCT WARRANTIES

Lomart Industries backs their products with warranties and consumer service policies that are the best in the above-ground pool industry. All of our pool and liner warranties are covered for the first 3 years at 100% against manufacturer defects (the remainder of each warranty is prorated). Bottom rails receive a Lifetime 100% warranty. Pool & Frame - Prorated Limited Lifetime.

**IMPORTANT:** The "No Diving" and other Warning signage provided must be installed on each pool as indicated in the instructions provided.

**NOTE:** In some photos of the pools in the brochure (or web site), the "No Diving" and other Warning signage may not be visible, such Warning Signage must be installed as indicated in the instructions provided.

Hollowell Industries, Inc. stands behind every product we produce pursuant to those representations which are stated in our written warranties. Your dealer/builder/installer/contractor is an independent business and not an agent/representative or employee of Hollowell Industries, Inc. We cannot and do not accept any responsibility for any representations, statements or contracts made by any dealer/builder/installer or contractor.



Lomart Pool Products • 315 N. Sebastian Street • West Helena, AR 72390  
Visit our website at [www.lomart.com](http://www.lomart.com) • Made in the USA





## WHISPERING WIND III

Whispering Wind III combines an attractive cream colored frame with a Monet-styled, taupe-colored pool wall pattern for a designer look that compliments any backyard setting.

*AVAILABLE IN 52" AND 54" HIGH POOL WALL.*





# WHISPERING WIND III

## POOL FEATURES

Whispering Wind III offers exciting features and product benefits designed to provide years of pool enjoyment.

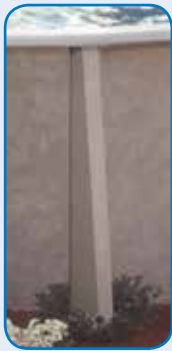
- 8" Steel Top Rails and Steel Verticals coated with Poly-Lam™
- Poly-Lam™ coated, baked-enamel, 52" and 54"\* high pool wall

\*Limited sizes only

## POOL FRAMES AND WALLS

Lomart's pool walls combine designer patterns with premium hot-dipped galvanized copper bearing steel offering:

- Exceptional durability
- Corrosion resistance
- Weatherization protection



- **Trimline Space Saver™ Oval Support System** features an easy-to-install, one-part design which provides a stronger installation and a more attractive appearance. Allows larger pools to fit into smaller backyard settings.



- **Texture-molded Top Connectors** are corrosion resistant and feature our textured pebble-grain design.



- **Tru-Lock™ Wall Closure** offers a newly-designed fastening system for maximum strength, greater wall stability, and a faster, easier assembly.

## LOMART OFFERS A WIDE VARIETY

Rounds: 15', 18', 21', 24', 27', 30' | Ovals: 15' x 24', 15' x 30', 18' x 33', 18' x 36', 18' x 39'

## PRODUCT WARRANTIES

Lomart Industries backs their products with warranties and consumer service policies that are the best in the above-ground pool industry. All of our pool and liner warranties are covered for the first 3 years at 100% against manufacturer defects (the remainder of each warranty is prorated). Bottom rails receive a Lifetime 100% warranty. Pool & Frame - Prorated Limited Lifetime.

**IMPORTANT:** The "No Diving" and other Warning signage provided must be installed on each pool as indicated in the instructions provided.

*NOTE: In some photos of the pools in the brochure (or web site), the "No Diving" and other Warning signage may not be visible, such Warning Signage must be installed as indicated in the instructions provided.*

*Hollowell Industries, Inc. stands behind every product we produce pursuant to those representations which are stated in our written warranties. Your dealer/builder/installer/contractor is an independent business and not an agent/representative or employee of Hollowell Industries, Inc. We cannot and do not accept any responsibility for any representations, statements or contracts made by any dealer/builder/installer or contractor.*



Lomart Pool Products • 315 N. Sebastian Street • West Helena, AR 72390  
Visit our website at [www.lomart.com](http://www.lomart.com) • Made in the USA



# THE WHISPERING WIND III IN-STEP PROGRAM

If your dream backyard includes an in-ground pool but your budget won't allow, the Whispering Wind III is the perfect solution for you.

## FEATURES AND BENEFITS

- Variable depth liners can provide an optional deep swimming area
- Half the cost of a traditional in-ground
- Prorated Limited Lifetime warranty

## SHAPES & SIZES FOR EVERY BACKYARD

**Rounds:** 24', 27', 30'

**Ovals:** 18' x 33', 18' x 36', 18' x 39'

*Ovals: Step can be placed in the shallow end on the left or right side of the center of the pool.*

## IN-STEP RECESSED POOL OPTIONS

The Whispering Wind III offers extra wide In-Steps to provide a more elegant pool entrance. In-Steps can be installed on a fully recessed Whispering Wind III or on an above ground Whispering Wind III with deck.

*\*In-Steps are only offered on Lomart's Whispering Wind III pools.*



AVAILABLE IN:  
WHITE, GRAY AND BLUE



**IMPORTANT:** The "No Diving" and other Warning signage provided must be installed on each pool as indicated in the instructions provided.

**NOTE:** In some photos of the pools in the brochure (or web site), the "No Diving" and other Warning signage may not be visible, such Warning Signage must be installed as indicated in the instructions provided.

Hollowell Industries, Inc. stands behind every product we produce pursuant to those representations which are stated in our written warranties. Your dealer/builder/installer/contractor is an independent business and not an agent/representative or employee of Hollowell Industries, Inc. We cannot and do not accept any responsibility for any representations, statements or contracts made by any dealer/builder/installer or contractor.



Lomart Pool Products • 315 N. Sebastian Street • West Helena, AR 72390  
Visit our website at [www.lomart.com](http://www.lomart.com) • Made in the USA





## 4000 LINER SERIES

Lomart liners are produced at our modern manufacturing facility in Arkansas. We use a special blend of natural, raw materials that ensure top-quality vinyl for all liners. The ultraviolet inhibitors protect the liner from the sun's rays as well as enhance longer life. In addition, Lomart's quality premium liners are a full 20 mils thick on both the sidewall and pool bottom to assure superior performance. All Lomart liners are sealed with Fusion-Weld™ a sealing technique, unmatched in the industry, which provides durability and supreme quality. We are so sure of this sealing technique that we give all our liner seams the "Strongman" Warranty – 100% for a Lifetime.

### LOMART OFFERS TWO TOP-QUALITY LINERS CATEGORIES:

**VARIABLE DEPTH LINERS** feature an additional surface area of rugged sidewall vinyl for maximum depth coverage and is designed to allow for an Optional Special-Purpose Deep Swimming Area for underwater swimming only. *No diving. No jumping.* These liners come in two exciting patterns:



20 mil - Capri™ Full Print Liner offers three-color sidewall and pool bottom



20 mil - Sunset Cove™ Full Print Liner is a beautiful water reflection design on the sidewall and pool bottom

# LOMART POOL LINERS

## HEAVY DUTY ~ 3000 LINER SERIES



15 mil - SeaMist™ Full Print Liner has a water reflection design



15 mil - Solid Blue Liner is simple and natural

## PREMIUM SNAP-FAST™ ~ 4000 LINER SERIES



20 mil - Athena Two™ printed on white vinyl, this liner gives you a beautiful, rustic garden-like feel fading to a solid dark blue bottom

Remember, the first three years of Lomart liner warranties are covered 100% against manufacturer defects. The remainder of the warranty is prorated. Lomart also offers an optional, 3 Year Enhanced Liner Warranty to customers who purchase a Lomart Pool or Liner.



Lomart Pool Products • 315 N. Sebastian Street • West Helena, AR 72390  
Visit our website at [www.lomart.com](http://www.lomart.com) • Made in the USA





# LOMART LINER WARRANTIES

*The Best Liner Warranty Program in the Industry*

## ALL LOMART LINERS INCLUDE:

**3/100 Warranty – First 3 years @ 100% against manufacturer defects.**

*The remainder of the warranty is prorated.*



All Lomart liners are sealed with **Fusion-Weld™** a sealing technique, unmatched in the industry, which provides durability and supreme quality. We are so sure of this sealing technique that we give all our liner seams the **"Strongman" Warranty – 100% for lifetime.**



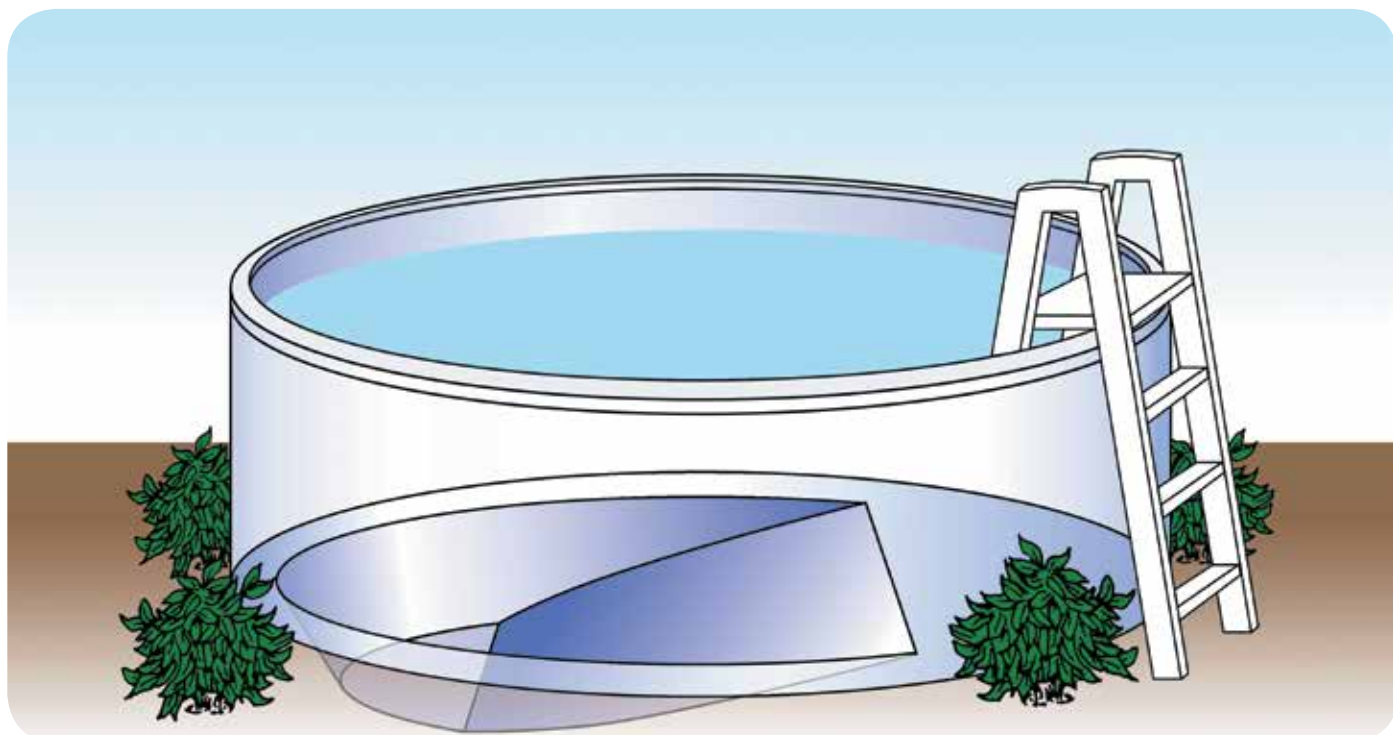
**Heavy Duty Overlap Liners – 20 Year Limited Warranty**

**Premium Variable Depth Liners – 25 Year Limited Warranty**

**Premium Snap-fast Liners – 25 Year Limited Warranty**



# VARIABLE DEPTH LINER



- Maximum Depth of 6 to 6 1/2 feet (depending on model)
- 20 mil, Premium Virgin Vinyl
- 25 Year Warranty
- Allows for an Optional Special - Purpose Deep Swimming Area for Underwater Swimming Only. No Jumping. No Diving.



Lomart Pool Products • 315 N. Sebastian Street • West Helena, AR 72390  
Visit our website at [www.lomart.com](http://www.lomart.com) • Made in the USA





## LINER CARE INFORMATION

The information in the following pages will review some of the problems a consumer can face with their liner. It will also review causes and solutions to these problems.

### Topics addressed in the following pages:

- Deterioration and Dry Rot above the water line
- Staining and Discoloration below the water line
  - Color Fading below the water line
    - Bacteria and Fungus Stains
    - Wrinkling of Vinyl
  - Pattern Flaking off the liner
    - Termites and Ants
    - Trichlor Sanitizers

# **IMPORTANT LINER CARE INFORMATION – PLEASE READ**

## **Deterioration & Dry Rot**

### **Discoloration, Deterioration and “Dry Rot” Above the Water Line**

In most cases, these three problems are different stages of the same phenomenon. The causes of these problems are many and varied, but have a universal theme. In most cases, the discoloration (usually brown), the deterioration (stiffening of the vinyl) and then the complete failure of the vinyl, commonly referred to as “dry rotting,” is due to the extraction of the plasticizers and stabilizers from the vinyl. (Plasticizer is the additive which gives the vinyl its flexibility; stabilizers give the vinyl its high temperature stability.) Under normal circumstances, the volatility of these additives is very low and the vinyl will maintain its physical characteristics for many years.

**Experience has taught us that under certain circumstances the area above the water line can begin to deteriorate very quickly.** There are three main contributors to this problem; chemical attack, high temperatures and UV rays. The UV resistant characteristics of pool vinyl is excellent and by itself the UV rays do not present a significant problem. However, acid based vinyl cleaners, when not rinsed completely from the vinyl, exposed to extremely high temperatures and the effects of UV rays will accelerate deterioration of the vinyl liner. There are however, certain steps that can be taken to combat these problems.

**We have found, through laboratory testing, that acid based vinyl cleaners will diversely affect the life of the vinyl.** Exposure to sun light and high temperatures will greatly accelerate that deterioration process. From a vinyl standpoint, we do not recommend using any cleaners that contain acid. If you do use an acid based cleaner, you must rinse all traces of the cleaner from the vinyl. If you do not remove all traces of the cleaner, you are creating a situation where accelerated breakdown of plasticizer and stabilizer will take place, thereby significantly shortening the life of the liner. Use alkaline based cleaners. They are more vinyl friendly and they work just as well as the acid based cleaners. In all instances, rinse the liner fully.

**Clean your pool often by taking a soft cloth and using the pool water to rinse contaminates from the vinyl.** Substances such as body oil, sun tan lotion, baby oil, etc., will collect at the line. These substances, when exposed to the sun and the high temperature that can be found just above the water line, will often times turn brown and be very difficult to remove from the vinyl. Insist that the liner fit properly. Watch the installation of the liner. If it has to be “stretched in”, insist on a looser fitting liner. If the liner is too small it will tend to pull away from the wall above the waterline and especially in the corners. On the sun side of the pool, temperatures can reach in excess of 180 degrees Fahrenheit, between the liner and the sidewalls. These areas that pull away are the areas that generate the highest temperatures and are the places that will fail first. Remember: Stressed vinyl is more susceptible to chemical and environmental attack.

**With proper cleaning and a properly fitted liner, there is no reason why your liner should not last many years. However, unless you follow these simple rules, your liner’s life will be significantly shortened.**

## **Staining**

### **Staining and Discoloration of the Vinyl below the Water Line**

The most common cause of staining and discoloration of your liner below the water line is secretions by microorganisms. As these micro-organisms feed, they secrete dyes, which can be one of many colors that stain the vinyl. Although these stains are unsightly, they in no way degrade the performance of the vinyl. These dyes are compatible with the plasticizers in the vinyl, causing the stains to go all the way through the sheet. There is no proven method for removing these stains.

**There is a common misconception that the microbial resistant additives used in pool liners will kill the micro-organisms in the area adjacent to the liner.** Many people believe that there is a “protective zone” near the liner that will not support life. This is not the case. The additive in the vinyl prevents the vinyl from supporting life but in no way does it prevent life in areas adjacent to the liner. Extreme care must be taken during installation to insure that there is nothing behind the liner that may become a food source for these organisms.

**There have been cases of stains forming in pools soon after the installation of a replacement liner when there was never a problem with the original liner.** Although there is no way that we can say for sure what has happened behind that new liner, it is believed that when the environment behind the liner is exposed to light and oxygen a “rebirth” of micro-organisms takes place. If the bottom and sidewalls of the pool are not properly treated, there is a chance that problems may arise.

**There can also be changes in the ground water that introduce organisms into an area that had not been previously exposed.** Extended periods of heavy rains will often cause significant changes in the microbiology of the ground water. Whenever there is a change in the environment around your pool, there is an opportunity for micro-organisms which hitherto were not present to move into the ground water, thereby creating the possibility of staining.



## Color Fading

### Color Fading Below the Water Line

There can be many contributing factors that lead to the fading of your liner. All of those factors can be grouped under the heading of chemical attack; however the leading cause is simply over-chlorinating. Just as excessive use of bleach will fade your clothes, over-chlorinating of your pool water will greatly accelerate the fading of your liner.

From the vinyl's standpoint, any chlorine level above 3 PPM will accelerate the fading process. The use of a chlorine based sanitizing system is going to bleach your liner. There is no way around this fact. The higher the active chlorine level, the quicker the fading will occur.

Be especially careful when shocking, closing or opening your pool. It is critical that you circulate the water for a minimum of 72 hours after any of these procedures. The average shock treatment is going to bring the chlorine level of your water to at least 25 PPM and as high as 50 PPM.

The specific gravity of the chlorine is higher (weighs more) than that of the water. It is therefore critical that you circulate your water long enough to ensure that the chlorine will not settle out of the water and concentrate in the deepest part of the pool.

It is also important that you do not cover your pool for at least 24 hours after one of these treatments. The covering of the pool will greatly restrict the chlorine's ability to dissipate, thereby greatly increasing the likelihood of damage.

Our experience has shown that of all the sanitizing systems, Trichloroisocyanuric acid has the greatest potential to bleach a vinyl liner. Alkaline sanitizers (Hydrochlorite) are much more vinyl-friendly and just as effective. No matter what system you use, always use the minimum amount of chemical that will get the job done.

Remember: Less is best when adding chemicals to your vinyl-lined pool.

## Bacteria

### Bacteria and Fungus Stains

Some types of bacteria and fungus found in the soil can actually penetrate through a vinyl liner and cause stains to appear on the liner. Usually they will start off as spotted or cloud-like formations on the liner. Algaecides used in the pool water have little if any effect on the stains caused from bacteria, since it doesn't get to the source of the bacteria in the soil. If a pool is known to have a problem with bacteria staining the liner, the ground underneath the liner may be treated with a solution of one-half household chlorine bleach and one-half water. Mix the bleach in the water and mist the floor of the pool with a small garden sprayer three or four times prior to dropping the new liner in the pool. After the last application of bleach solution, wait several hours before dropping the liner; making sure the solution has been absorbed into the ground.

If the liner has been recently replaced, one method which has been used several times is the use of Copper Iron Sulfate (FeSO<sub>4</sub>) to change the pH of the soil around the pool, therefore killing off the source of the bacteria or fungus. This is not a guaranteed cure in all cases but in the last few years it has had some astonishing results for some of our customers. Best of all, this can be tried without having to drain the pool and replace the liner! Copper Iron Sulfate is a chemical used by tree nurseries for treating the pH of soil for some iron deficiencies in plants. For an average size pool, say an 18 x 36 rectangle, you need about twelve to fifteen pounds of this powdered chemical. Sprinkle it on the ground next to the pool deck on as many sides of the pool as possible. Then turn a lawn sprinkler on the ground for two or three days, long enough to get the ground around the pool thoroughly saturated with water. The idea is to get the powder to soak deep into the ground so it can change the pH of the soil and hopefully kill off the source of the bacteria. Usually results are not seen for a week or two since it has to get deep in the ground to have any effect on the bacteria. The Copper Iron Sulfate has not been known to have any harsh effects on grass and care should be taken when using around delicate flowers.

## Wrinkling

### Wrinkling of Vinyl

Hollowell Industries Inc. has invested a great deal of time and money into discovering the causes of and the prevention of wrinkling. Wrinkles that develop in swimming pool liners after installation are caused by the vinyl absorbing water and thereby changing dimensions. Testing has shown that high levels of chlorine or bromine will initiate excessive water absorption into the vinyl liner and lead to wrinkles. Low pH and cyanuric acid stabilizer are also factors in wrinkle formation because the activity level of the chlorine is affected by the pH and stabilizer levels.

Our experience has shown that the use of trichloroisocyanuric acid sanitizer (Trichlor) and low pH levels can cause wrinkling of your vinyl liner. Alkaline sanitizers (Hydrochlorite) and non-chlorine sanitizer systems have been found to be safer to use with vinyl liners.

## Pattern Flaking

### Pattern Flaking Off the Liner

To understand why the pattern may flake off, there must be a basic understanding of the procedures involved in the printing of your pool liner. The print pattern is applied by a process called "roto-gravure" printing. The inks used are solvent based and when applied to the vinyl they actually bond themselves to the vinyl by "biting" into it. Then a clear "top coat" is applied to increase abrasion resistance and provide an added layer of UV protection.

The cause of ink flaking off the vinyl is low water pH. An acidic environment will weaken the bond by softening the coating and eventually the ink. The more acidic the environment the greater the likelihood of damage. The effect is cumulative and irreversible. Once this softening occurs, the coating and ink are susceptible to abrasion and flaking.

Always keep your pool at the recommended pH of 7.4 to 7.8. Deviation from these levels will adversely affect the performance of your liner.

## Termites & Ants

For many years now it has been known and proven that termites and ants will sometimes attack a vinyl pool liner. It is suspected that termites are attracted to the pool area due to dampness in the soil around the pool. Usually the first signs are very small holes in the liner above the water line. The liner may have dozens of holes in it within a short period of time after they have begun their attack on the liner. Most of the time if the liner is taken out of the bead track and pulled away from the wall you may see trails that the termites have left behind. Usually the holes are relatively small, about an eighth of an inch to a quarter of an inch in diameter and are round or oval shaped holes.

If the pool liner has been attacked by termites or ants, the homeowner is advised to get an exterminator to treat the ground beneath the pool and the area around the perimeter of the pool deck when the liner has to be replaced.

Some of the more likely places for termites or ants to appear are: in the yard which has a stump or a tree removed, where a patio or a walkway has been removed, around wooden flower planters, or a wooden fence around the pool.

## Trichlor Sanitizers

### If Trichlor Sanitizer is used in a Vinyl Lined Pool:

**DO NOT** allow the pH of the pool to drop below 7.4. \*\*Range 7.4-7.8.

**DO NOT** allow chlorine levels to exceed 3 ppm using Trichlor sanitizer.

**DO NOT** shock or super-chlorinate your vinyl-lined pool with Trichlor. Alkaline sanitizers (hypochlorite products) should be used.

**DO NOT** continuously heat your vinyl-lined pool to temperatures above 82 degrees Fahrenheit. Hot water will dissolve Trichlor sanitizer at a faster rate making the water very aggressive to the vinyl liner.

**DO NOT** allow true total carbonate alkalinity to drop below 90 ppm when acidic Trichlor is used as the sanitizing agent.  
\*\*Alkalinity range 90-125 ppm.

**DO NOT** forget to correct for cyanuric acid level when measuring true total alkalinity. True total alkalinity equals measured total alkalinity minus one third measured cyanuric acid level.

### Failure to limit and control cyanuric acid level could result in the following:

1. low alkalinity
2. pH drop or bounce when Trichlor is added
3. increased chlorine demand (more Trichlor is needed)
4. aggressive water
5. bleached and/or wrinkled vinyl liner

**DO NOT** add trichlor to a floating dispenser and ALWAYS continuously run the water circulation system 24 hours a day during the pool season when Trichlor is used.

It should be understood that the absorption of water is a function of the PVC. However, the absorption will not take place with proper care. It should also be understood that the affects of the chemicals on the vinyl are cumulative and irreversible.

Remember: Less is best when adding chemicals to your vinyl-lined pool.



## SPECTRA 4 FILTERS + HYDRA DE

Exceptional filtration systems providing a convenient way to get sparkling clean water.



## Spectra 4™ Filters

High-rate sand filters offering exceptional filtration with minimal effort.

### SPECTRA 4™ FILTER FEATURES/BENEFITS

- 7-position multi-port valve functions for Filter, Backwash, Recirculate, Pump-to-waste, Filter-to-waste, Winterize and Closed.
- Molded, upper tank distributor for maximum water dispersion.
- Large Access Port with V-Band Clamp allowing easy access into tank unit for efficient sand loading or filter maintenance.
- One-piece, full diameter circular underdrain to prevent channeling of sand bed.
- Molded of specially formulated resins for maximum durability.
- 1 1/2" hose and fittings for positive hose seal.
- Easy-to-read pressure gauge indicates when filter needs cleaning.
- Automatic air relief to eliminate excess pressure which could damage the filter tank.
- Uses #20 grade Crystal Silica Sand for exceptional filtration.
- Drain Port for easy removal of debris.
- Special Limited—10 Year Warranty on Filter Tank. Your guarantee of excellent quality.
- **Optional Combo Base available for all models.**

## Hydra DE Filter

A **diatomaceous earth filter** that features a unique V-Grid design that provides a large surface area for D.E. distribution. In addition, the **Permanently Encapsulated Filtering Grid Ends** provide long grid life and less maintenance. These features are essential for good performance and a clearer, sparkling pool for you and your family to enjoy.

### FEATURE/BENEFITS

- Six position rotary valve
- (2) 1 1/2" x 8 ft.  
(1) 1 1/2" x 36" pump to filter hose
- Santoprene valve gasket & tank "O" ring
- 16" (I.D.) injection-molded tank
- 20 sq. ft. of filtering area
- See-through waste port with cap



#### Model 314

- 14" Diameter Tank
- Free Standing Filter Design
- 80 lb. sand



#### Model 317

- 17" Diameter Tank
- Free Standing Filter Design
- 100 lb. sand



#### Model 320

- 20" Diameter Tank
- Durable, Resin Filter Base
- High-strength "Pump to Filter" pressure hose for optimal durability
- 150 lb. sand



#### Model 324

- 24" Diameter Tank
- Durable Ring Base
- 7 Position Valve
- 300 lb. sand



Hydra DE



Lomart Pool Products • 315 N. Sebastian Street • West Helena, AR 72390  
Visit our website at [www.lomart.com](http://www.lomart.com) • Made in the USA





# PROMEGA SERIES PUMPS

A powerful, yet efficient way to keep pool water looking good. Economy retro-fit, energy saver, and deluxe pump models accommodate all filtration needs.



# Promega Series Pumps

## PROMEGA SERIES PUMP FEATURES/BENEFITS

- **Heavy Duty, molded ABS Construction** for maximum durability and long pump life
- **1 1/2" Inlet and Discharge for convenient hose hook-up**
- **25' Power Cord** (UL only) for convenient positioning of the pump (GFCI)  
(Must Be Reset after Power Interruption)
- **6' Power Cord - Double Insulated Plug** (non UL)
- **3' Power Cord - Twist Lock Plug**
- **Stainless Steel Hardware** to maintain structural integrity

## Ultra Promega Plus™

- **Automatic Electronic Timer** – settings at 4, 6, 8, 10, or 12 hours allow for custom pump operation
- **Power Interruption Reset Feature** – automatically resets pump unit in case of power failure
- **Double Insulated** to help maintain motor integrity
- **25' Power Cord with GFCI**
- **3' Power Cord NEC**
- **Molded Base included**



## Ultra Promega™

- **Double Insulated** to help maintain motor integrity
- **Available in 3/4, 1, and 1 1/2 HP**
- **25' Power Cord with GFCI**
- **6' Power Cord** (non UL)
- **3' Power Cord NEC**
- **Molded Base included**



## Promega™ Two

- **Offered in 3/4, 1, and 1 1/2 HP**
- **3' Power Cord NEC**
- **6' Power Cord** (non UL)
- **Molded Base included**



Lomart Pool Products • 315 N. Sebastian Street • West Helena, AR 72390  
Visit our website at [www.lomart.com](http://www.lomart.com) • Made in the USA





# LOMART SKIMMER

Keep pool water looking great all summer long.



*Available in beige or gray.*



*\*Only fits Lomart pools  
manufactured prior to 9/1/18.*

## Standard Thru-Wall Skimmer FEATURES

- Industry Exclusive, U-Joint Skimmer Gasket provides extra protection against leaks.
- Rounded Skimmer Faceplate and Return Fitting Cover enhances close-to-the-wall skimming action and provides a tight seal with gasket for pool and wall protection.
- Large skimmer opening allows maximum water flow for more efficient skimming — as wide as most in-ground pools.
- Tough, corrosion-resistant, large capacity leaf basket extends times between cleaning; basket is easily removed.
- Vacuum hook-up allows for easy, convenient vacuuming and pool maintenance.
- Color-coordinated threaded return fitting with safe directional eyeball and shut off disc provides an efficient return of filtered water to the pool.
- High efficiency skimming weir provides exceptional skimming action.
- Single barbed adaptor for 1<sup>1</sup>/<sub>2</sub>" hose for convenient skimmer hook-up.
- Safe, self-sealing vacuum port closure covers vacuum port when pool is in use.
- Choice of skimmer body colors in beige or gray to compliment the pool design.



Lomart Pool Products • 315 N. Sebastian Street • West Helena, AR 72390  
Visit our website at [www.lomart.com](http://www.lomart.com) • Made in the USA



# THE PATRIOT VAC

The Patriot™—this economical, automatic pool vacuum is an easy, efficient and effortless way to keep pools sparkling clean. Designed to clean any coved flat bottom above-ground pools or pools with a deep swimming area.

## **PATRIOT™ FEATURES**

- 30 feet of vacuum hose to accommodate most above-ground pools sizes; provides superior cleaning range.
- Universal skimmer fitting allows the Patriot to adapt to most pool skimmers.
- Octagon, colorful Foot Pad and the Buoyancy Ring keep the proper angle for precise vacuuming.
- Easy to install and operate.
- Universal design—ideal for most above-ground pools.
- One year warranty.



Model No: 5-2046-000



# THE PILOT VAC

## AUTOMATIC IN-GROUND POOL VACUUM

Its efficient design allows the Pilot Vac to effortlessly clean a pool's deep areas, shallow areas and most pool side walls. This unique pool cleaner truly gets the job done!

### PILOT FEATURES

- **45 feet of vacuum hose** to accommodate an average sized in-ground swimming pool.
- **Five hose weights** allows the Pilot to easily access deep swimming areas of most in-ground pools.
- **Durable round footpad** in a designer color, for positive movement inside of pool.
- **Buoyancy ring** allows the Pilot to maintain the correct angle for effective vacuuming.
- **Automatic flow control valve** offers flow control to match pump flow rate, ensuring superior cleaning.
- **Twin drive tubes** provides kinetic energy for total mobility.
- **Custom rub-bar** provides additional balance for the pool vacuum in deep water. This feature also allows the Pilot to pass by pool ladders or stairs which reduces the chance of the pool vacuum getting tangled or blocked during operation.
- **Swivel device with Delrin® washer** to reduce hose tangling and unnecessary friction.
- **Unique bumper design** allows for random-pattern cleaning coverage.
- **Universal skimmer fitting** allows the Pilot to adapt to most in-ground pool skimmers.
- **Easy to install.**
- **Operates with most pool filters.**
- **Two year warranty.**



Model No: 5-2036-000



Lomart Pool Products • 315 N. Sebastian Street • West Helena, AR 72390  
Visit our website at [www.lomart.com](http://www.lomart.com) • Made in the USA



# POOL ENTRY SYSTEMS

## ADVANTAGE ACCESS SYSTEM™ & THE GREAT BARRIER LADDER™

### Advantage Access System™

Lomart's Advantage Access System™ is an exciting, pool entry system designed to offer an efficient and convenient way to enter or exit an above-ground pool. Much more than a standard pool ladder, the Advantage Access System™ allows pool users to sit comfortably on the in-pool steps for relaxation, or to keep a watchful eye on swimmers. The entry system that does it all.

#### QUALITY FEATURES INCLUDE:

- Rugged, molded resin construction for corrosion resistance and maximum durability.
- Chemical resistant for enhanced product longevity.



Model No: 1-7999-006

- **Huge, 36" wide stairs and platform** allow swimmers to sit comfortably while others enter or exit the pool
- **In-pool and exterior applications.** The Advantage Access System™ is available as a complete interior/exterior unit or, a deck option.
- **Custom, non-skid design** reduces the chance of slippage, allows for comfortable seating and helps prevent snagged swimsuits.
- **Stylish appearance** to compliment both the pool design and any exterior setting.
- **Stainless steel handrail** for easy pool entry and exit.
- **Easy-to-assemble design.** Installs quickly with a common screwdriver.
- **Vented, safety side panels** prohibit access under the staircase. In addition, the side panels prevent pool cleaners from getting entrapped while allowing water to circulate through the staircase.
- **Snap-locking, exterior staircase cover** to reduce the risk of unwarranted pool entry. Ideal for added security.



# The Great Barrier Ladder™

## FEATURES/BENEFITS:

Model No: 1-7177-006

- Available in "A" frame and deck configurations.
- Specially designed, swing-up treads includes self-locking pin system which secures the ladder, discouraging unauthorized pool entry.
- Extra heavy-duty resin construction for maximum durability, pool chemical resistance, and protection against damaging solar rays.
- Minimal hardware allows for easy assembly.
- Secure handrails bolt to the top rail for greater stability.
- 17" molded treads/platform are skid-resistance.
- Inside and outside treads are adjustable for decks and patios



## "A" Frame Ladder

Model No: 5-7852-006

A secure way for friends and family to enter or exit the pool. Designed for above-ground pools with 48" to 52" sidewalls. Available in "A" frame and deck ladders. Holds up to 300 lbs.



## Safety Deck Ladder

Model No: 5-7852-007

Change of Design: All sizes, weights, measurements, illustrations and other specifications are approximate. Lomart expressly reserves the right to change or modify the design and construction of any product in due course of our manufacturing procedures without incurring any obligation or liability to furnish or install such changes or modifications on products previously or subsequently sold. Lomart Industries is in no way affiliated with any professional pool installer. Therefore, Lomart can assume no responsibility for errors in installation by the homeowner or said professional pool installer. If you have the pool installed by others, please supervise to be sure they comply with proper installation techniques as shown.

Important: Misuse of your pool may result in crippling injury and/or other dangers to life and health. Do not dive or jump. Do not use slides, diving boards, or any other platform or object which can be used for improper pool entry. Use only an above-ground swimming pool ladder to enter or exit your pool. It is your responsibility to secure your pool against unauthorized, unsupervised or unintentional entry. Always obey all safety rules. Remember, pool safety is everybody's responsibility.



Lomart Pool Products • 315 N. Sebastian Street • West Helena, AR 72390  
Visit our website at [www.lomart.com](http://www.lomart.com) • Made in the USA



# Fresh Mineral Water Easy®



POOL FROG TWIN® SYSTEM FOR SWIMMING POOLS  
UP TO 25,000 GALLONS

## Cleaner Clearer Softer It's Easier too!



# Cleaner

The enemy is bacteria. FROG® destroys bacteria 2 ways with minerals and low levels of chlorine- for an ultra clean pool.

# Clearer

Helps maintain pH balance and uses up to 50%\* less chlorine for better water clarity.

# Softer

Minerals condition the water for softness so it's easier on you and on your pool with no faded swimsuits or smelly odors.

# Easier

You never touch chemicals with pre-filled containers that last longer for less work and are recyclable when empty.



Set Mineral Cycler to ON

Set Chlorine Cycler per pool size and use



### POOL FROG® MINERAL RESERVOIR

Maintains clearer, cleaner and softer water with much less chlorine  
Lasts 6 months



### POOL FROG® CHLORINE PAC

Provides a low-level chlorine support that lasts for weeks



### FROG BAM®

Enhances mineral water with a 90-day algae protection guarantee

So why have water that claims to be clean, clear or soft when you can have cleaner, clearer and softer water with FROG. The "er" makes all the difference.

King Technology, Inc.  
952-933-6118 • 800-222-0169 • [www.kingtechnology.com](http://www.kingtechnology.com)

U. S. patent numbers: D410,520; D411,282; D422,678; D460,325; D460,664; D496,985; D496,986; D497,406; D502,984; D540,906; D546,773; D551,971; 4,662,387; 5,076,315; 5,218,983; 6,210,566; 6,217,892; 6,328,900; 6,383,507; 6,500,334; 6,544,415; 6,551,609; 6,562,242; 6,652,871; 6,685,827; 6,814,095; 6,908,551; 6,948,510; 7,014,780; 7,052,615; 7,059,540; 7,060,190; 7,147,770 and other U.S. and Foreign Patents Pending.

EPA REG. NO. 53735-11 EPA EST. NO. 071209-AZ-001 20-48-0559 5530814243NR6N

\*Intex is a registered trademark of Intex Corporation and is not affiliated with King Technology, Inc.





## THE ABOVEGROUND DUAL POOL FROG

Lomart highly **discourages** the use of saltwater chlorine generators on steel framed pools and the use of these products voids the Lomart pool warranty. In an effort to give you an alternative to saltwater generators, Lomart has teamed up with **POOL FROG**® to offer you the easiest, most efficient way to sanitize any pool up to 25,000 gallons!

POOL FROG Dealer Program Includes:

- **New Dealer Support Program:**

- In-store training conducted by FROG sales reps.
- Pool FROG dealer training kit.
- Free POP material.
- Demo Pool FROG unit for your store.
- Customer Service support – simply call 800-222-0169.
- Free listing on dealer locator section of website.



- **Warranty Card / Annual Reminder Card Program:**

- Send in your customer's warranty card to extend the warrant from 2 to 10 years.
- For every 10 warranty cards submitted, you will receive a free Pool FROG.
- Annual reminder cards will be sent reminding your customers to purchase their Mineral Reservoir, Chlorine Pacs, and FROG BAM from your store.

- **Co-Op Program:**

- Maximum co-op allowance per year is \$2,500/dealer.
- Artwork available at [www.kingtechnology.com](http://www.kingtechnology.com) or on CD.
- Co-op reimbursement is based on the percentage of the ad cost that deals specifically with FROG.
- Ad must clearly articulate the benefits of FROG to the consumer.
- Ad text must meet EPA registered guidelines. Call 800-222-0169 to request a co-op packet with artwork CD and guidelines.
- All ads must be submitted for evaluation prior to going to print, along with the invoice showing proof of cost.

### POOL FROG Package Includes:

- POOL FROG Cycler with a Mineral Reservoir  
Product #: 1-FROG DUAL

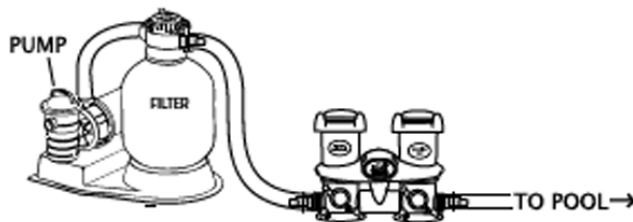


### POOL FROG Replacement Products Include:

- Mineral Reservoir each season – Product #: 1-MINRES
- Chlorine Pacs when empty (5 lbs.) – Product #: 1-CHLORINE
- FROG BAM Algae Preventative at start-up – Product #: 1-BAM

### POOL FROG Features:

- Engineered for any pool up to 25,000 gallons
- EPA registered and patented mineral formula with excellent consumer benefits
- Uses and long lasting chlorine pac for added convenience
- Backed by a 10 year warranty
- Offers a 90 day algae protection guarantee when used with FROG BAM



### Early Buy Special:

- Buy 5 FROG units before December 15<sup>th</sup>, 2018 and receive 1 free FROG unit!

**To purchase a POOL FROG package today see the Lomart price book for details!**

### Payment Terms:

- Place order before December 15<sup>th</sup>, 2018 and receive a 5% discount!
- Payment terms on orders placed before December 15, 2018:
  - 50% of total invoice DUE ON OR BEFORE MAY 25, 2019
  - 50% of total invoice DUE ON OR BEFORE JUNE 30, 2019 (final installment)

\*\* To sign up for any of the King Technology promotions, contact them today at:

King Technology [www.kingtechnology.com](http://www.kingtechnology.com)  
Attn: Marketing Dept. 800-222-0169  
530 – 11<sup>th</sup> Avenue South  
Hopkins, MN 55343 USA

**Call your Lomart Sales Rep today to order your POOL FROG!**

# Jet Light COLOR BURST



PERFECT FOR ABOVE-GROUND POOLS

**Sixteen vibrant colors, four exciting light shows, one incredible pool light!**

- Easily installs into your pool's return fitting
- 6 Super Bright RGB LED lights
- Sealed transformer with on/off switch is weathertight for peace of mind
- 25-foot cord conveniently plugs into a standard 110 outlet
- Quick disconnect makes winterizing a snap
- State-of-the-art design does not obstruct water flow
- Adaptor fitting for operating all wall fountains and pressure side cleaners included
- UL/CA Listed

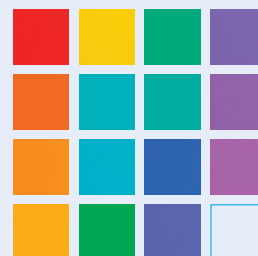


5-JETLIGHTCOLOR



**State-of-the-art remote lets you control it all with a push of a button**

- Turn up the fun with four color changing light shows — Flash, Strobe, Fade and Smooth
- Set the mood with 16 vibrant colors
- Adjust brightness
- Power on and off
- Two remote controls included—water resistant

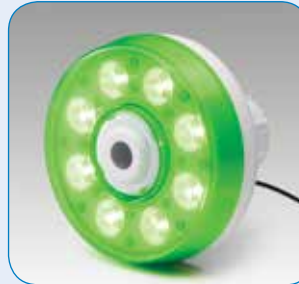




## PERFECT FOR ABOVE-GROUND POOLS

# JET LIGHT

- Easily installs into your pools' return fitting
- Eight super bright L.E.D. lights
- Three different colored lenses let you change light color instantly
- Sealed transformer with on/off switch is weather-tight for peace of mind
- 25-foot cord conveniently plugs into a standard 110 outlet
- Quick disconnect makes winterizing a snap
- State-of-the-art design does not obstruct water flow
- Extension fitting for operating all wall fountains and pressure side cleaners included
- UL/CA for customer protection



5-JET LIGHT

# AQUA LIGHT

## The floating rechargeable L.E.D. pool light that's so lightweight

- Super bright 64 L.E.D. illumination safely lights up to a 20' x 40' in-ground pool
- Provides 360 degrees of warm ambient light up to twelve hours on a single charge
- Durable outer casing will not fade when exposed to sunlight or pool chemicals
- L.E.D. lights last up to 100,000 hours
- Rechargeable batteries and charger included



5-AQUA LIGHT



Lomart Pool Products • 315 N. Sebastian Street • West Helena, AR 72390  
Visit our website at [www.lomart.com](http://www.lomart.com) • Made in the USA





# POOL & FILTER ACCESSORIES



**POOL COVING**  
**5-2070-000 (32 pieces per ctn)**  
**STICKY BACK**

Virtually eliminates the lumpy, uneven areas found in sifted-earth covers and allows for a first-rate liner fit. E-Z Pool Cove II is durable, simple-to-install, and provides an excellent barrier between the pool wall and pool floor. Comes in convenient 3" x 3" x 4' lengths.



**POOL COPING**  
**1-2201-006 (250 pieces per ctn)**

- Resin molded 24" sections
- White color



**J HOOK BEAD RECEIVER**  
**1-2305-009 (36 pieces per ctn)**  
**1-2306-009 (6 pieces per ctn)**

- Resin molded in 48" sections
- Silvertone color



**COMBO FILTER BASE**  
**1-2380-004**

**(Individually boxed, 6 boxes per ctn)**  
 Corrosion-resistant, structural foam ABS material. Can be used with Lomart's Pumps and Spectra 4 Series Filters.



**COMBO MOUNTING BRACKETS**

**Model No.1-2380-009 (6 pack)**  
**Model No.1-2380-010 (single)**

For use with Spectra 4 Series Filters.



**HARD PLUMB ADAPTOR KIT**  
**1-2060-000 (6 kits per ctn)**  
**1115-0366 (Kit sold individually (1))**

- Replaces temporary flexible hoses
- For use with 1-1/2" rigid/PVC piping
- Kit includes 6 santoprene adaptors and 12 stainless steel clamps



**HARD PLUMB SKIMMER ADAPTOR KIT**  
**1-2351-014 (6 kits/ctn)**

For converting your skimmer to 1 1/2" rigid or PVC piping. Kit includes 2 ea. union sockets, union nuts and o-rings.





## SNAP FAST J-HOOK & E-Z POOL COVE STANDARDS

### SNAP FAST J-HOOK\*

|                   |                        |                            |
|-------------------|------------------------|----------------------------|
| Item # 1-2305-009 | Sections: Length – 48" | Packaging: 36 sections/ctn |
| Item # 1-2306-009 | Sections: Length – 48" | Packaging: 6 sections/ctn  |

### E-Z POOL COVE\*

|                   |                                     |                            |
|-------------------|-------------------------------------|----------------------------|
| Item # 5-2070-000 | Sections: Length – 48" / Width – 3" | Packaging: 32 sections/ctn |
|-------------------|-------------------------------------|----------------------------|

### ROUND POOLS

| SIZE | QTY NEEDED | SIZE | QTY NEEDED |
|------|------------|------|------------|
| 12ft | 10         | 24ft | 19         |
| 15ft | 12         | 27ft | 22         |
| 16ft | 13         | 28ft | 24         |
| 18ft | 15         | 30ft | 25         |
| 21ft | 17         |      |            |

### OVAL POOLS

| SIZE  | QTY NEEDED | SIZE  | QTY NEEDED |
|-------|------------|-------|------------|
| 10x15 | 12         | 15x33 | 22         |
| 12x18 | 13         | 16x24 | 17         |
| 12x20 | 14         | 16x28 | 19         |
| 12x24 | 16         | 16x32 | 21         |
| 12x28 | 18         | 16x40 | 25         |
| 12x32 | 20         | 18x30 | 21         |
| 12x40 | 24         | 18x33 | 22         |
| 12x44 | 26         | 18x34 | 23         |
| 15x24 | 17         | 18x36 | 24         |
| 15x27 | 18         | 18x38 | 25         |
| 15x30 | 20         | 18x39 | 26         |
| 15x31 | 21         | 21x41 | 27         |

\* Available in carton quantities only



## 2019 SALES POLICY

It is the responsibility of the sales representative to explain to the dealer the policies and procedures by which Lomart Industries conducts its business.

### **ORDER PROCEDURE**

The salesman is required to forward a copy of the CUSTOMER'S or REPRESENTATIVE'S signed Purchase Order to:

Lomart Industries  
315 North Sebastian  
West Helena, AR 72390  
Attn: Sales Order Desk

During the initial order cycle "FAX" transmitted orders will not be accepted. Original handwritten and signed orders should be forwarded.

### **SEPARATE ORDERS** MUST BE WRITTEN AS FOLLOWS:

1. SALES ITEMS: Pools, Filters, Original Equipment & Uniform Depth Liners, Accessories
2. PARTS: Parts for Filters and Pools

Proper adherence to this format will expedite shipment of merchandise. Failure to comply will result in the order being returned to the Salesman to be rewritten according to policy.

Adhere to a singular pricing structure on the entire order. (Refer to 2019 Parts Policy for parts terms and discounts).

**NOTE:** When establishing NET selling price (i.e., discount according to volume of order at Net Price) maintain same price column throughout entire order and for reorders.

Orders will be entered and processed according to the sales item number written on the order, so please make sure you have the correct sales item number.

### **PRICING:**

Unit pricing for the 2019 season is based on our 2019 printed price lists.

### **SEASON DISCOUNTS:**

1. Dealers whose average season volume exceeds \$10,000 will be invoiced at Dealer List less 32% for the entire season.
2. Dealers whose average season volume exceeds \$60,000 will be invoiced at Dealer List less 40% for the entire season.

### **EARLY BUY DISCOUNT**

Orders placed from October 1, 2018 - December 1, 2018 for \$25,000 or more, will be shipped as ready February/ March 2019 and will be eligible to receive an Early Buy discount of 5% of the total order. Early Buy orders \$10,000 - \$25,000 will receive Early Buy Terms only. Deadline is December 1, 2018, must be credit approved.

### **2018 TRUCK LOAD DISCOUNT**

Orders placed prior to December 1, 2018 for \$75,000 or more, to be shipped as ready February/ March 2019 will be eligible to receive a truckload discount of 3% of the total order. This discount offer will expire March 1, 2019.

### **STANDARD TERMS**

Credit will be extended to those retailers approved by the H.I.I. credit department with terms Net 30.

All other retailer's payment in full prior to order processing.

Payments may be arranged with AMEX, Visa, Master Card or Discover credit card or certified check. Processing cost prohibit additional discounts.

### **DATING TERMS**

Early buy orders exceeding \$10,000 placed October 1 thru March 31 will receive dating terms as follows:

**50% DUE ON MAY 25TH**

**50% DUE ON JUNE 30TH**

**Payments must be made in cash or cash equivalent in order to receive terms.**

### **FREIGHT PROGRAM**

Orders for the entire season shipped AS READY, will qualify for FREIGHT ALLOWANCE as follows:

\$75,000 Order - Full Freight Allowance Maximum Two Destinations

\$37,500 Order - 50% Freight Allowance One Destination Only

**A COPY OF THE PAID FREIGHT BILL MUST BE ATTACHED TO APPLICABLE INVOICES BEING PAID, OR REFERENCE TO THE INVOICE NUMBERS BEING PAID SHOULD BE MARKED ON THE FREIGHT BILL. FREIGHT ON QUALIFYING INVOICES CAN BE DEDUCTED ON THE JUNE 30TH INSTALLMENT OR IF INVOICE IS PAID IN FULL. ACCOUNT MUST BE CURRENT TO RECEIVE THIS INCENTIVE.**

**LOMART WILL NOT BE RESPONSIBLE FOR DEMURRAGE OR REDELIVERY CHARGES DUE TO A DEALER'S FAILURE TO EXPEDITE OFFLOADING OR NON-ACCEPTANCE OF SHIPMENTS.**

**FREIGHT DEDUCTIONS WILL BE DISALLOWED IF THE INVOICE IS NOT PAID ON THE DUE DATE, OR IF COPY OF PAID FREIGHT BILL IS NOT PROVIDED AND CROSS-REFERENCED WITH APPLICABLE INVOICE NUMBERS. THE ENTIRE ACCOUNT MUST BE CURRENT TO QUALIFY FOR FREIGHT ALLOWANCE.**

**LOMART WILL NOT MAKE COD SHIPMENTS. CASH-IN-ADVANCE CUSTOMERS MUST**

All products will be shipped by standard common carriers. If Lomart is allowing FULL FREIGHT, we will cooperate on requests for special carriers, only if the requested carrier complies with our most competitive freight costs. If the dealer is paying the freight, we will make every effort to honor his special carrier request. We cannot allow customer pickups in Arkansas because of delays and congestion created at the height of our shipping season.

### **TRANSPORTATION CLAIMS**

Seller's responsibility ceases when an order is turned over to a common carrier. Claims for loss or damage must be filed with the carrier by the purchaser. If shipment shows any damage, open the package before signing the delivery receipt. If any item appears damaged or if there is a shortage, ask the carrier to so note on the delivery receipt and immediately file a claim with the carrier. Always examine a shipment within seven (7) days of receipt for concealed damage and, if found, call the carrier for an inspection and claim.

### **EXPEDITED SHIPMENTS**

All orders, unless otherwise agreed will ship within 5 business days.

**Same day shipment orders must be received by 12 noon (EST) otherwise shipment will depart the following day.**

### **DELIQUENCY CHARGE**

All past due accounts will be assessed a service charge of 1-1/2% per month.

### **RETURNS**

No merchandise can be returned without written approval. Merchandise must be accompanied by a RETURN AUTHORIZATION FORM (RA) provided by H.I.I. Customer Service. **UNAUTHORIZED RETURNS WILL NOT BE ACCEPTED.** Freight costs must be PREPAID OR RETURNS WILL NOT BE ACCEPTED.

All merchandise returns must be in original cartons and properly packaged OR THEY WILL NOT BE ACCEPTED.

Merchandise returned in original condition for restocking credit or other approved reason will be subject to a 15% handling/restocking charge.

Unauthorized returns (if accepted) will incur a 20% handling/restocking charge. These charges would be cumulative as applicable.

The representative will be charged 15% of the value of the merchandise returned in the event he authorized the return without prior written permission from H.I.I.

Merchandise drop shipped direct to consumers, which is refused, will be returned to the factory. The dealer will be charged the full freight cost both ways (from factory to consumer and from consumer back to factory) plus a 15% handling restocking fee.

## **PRODUCT SAMPLES**

Samples ordered by our customers will be billed at the regular selling price payable Net 30 Days, FREIGHT COLLECT OR PREPAID AND ADD depending upon weight.

## **TRANSFERS**

LOMART INDUSTRIES WILL IN NO WAY BE INVOLVED IN DEALER-TO-DEALER TRANSFERS OF MERCHANDISE.

## **CONSIGNMENT SALES**

We do not sell any merchandise on consignment nor will our representatives so imply to a customer to close a sale.

## **REBILL**

We do not sell any merchandise with a rebill provision nor will our representatives so imply to a customer to close a sale.

## **ALL ORDERS**

ON ALL ORDERS THE F.O.B. POINT WILL BE FACTORY OR OUTSIDE WAREHOUSE.

## **IMPORTANT NOTE**

Any special discounts or allowances other than specified in this policy statement must be approved in writing by the Lomart Sales Department.

## **CONSUMER AND DEALER PROTECTION**

In an effort to provide the best service and implementation of LOMART warranties to the ultimate consumer, LOMART reserves the right to choose with whom we do business, based in part, on any Dealer who in LOMART'S opinion:

1. Does not provide credible customer service.
2. Conducts business in an unethical or irresponsible manner.
3. Acts to the detriment of LOMART'S reputation.

## **CHANGE OF PRODUCT DESIGN**

Lomart will implement the latest product design change upon depletion of all existing model inventory.

All sizes, weights, measurements, illustrations and other specifications are approximate. Lomart Industries expressly reserves the right to change or modify the design and construction of any product in due course of our manufacturing procedures without incurring any obligation or liability to furnish or install such changes or modifications on products previously or subsequently sold. Lomart Industries is in no way affiliated with any professional pool installer. Therefore, Lomart can assume no responsibility for errors in installation by the homeowner or said professional installer. If you have the pool installed by others please supervise to be sure they comply with proper installation techniques as shown.





**H.I.I.**  
**DEALER TERMS AGREEMENT**

Please read & sign the following information regarding Lomart Terms: **TERMS:**

**INITIAL (Early Buy/Early Ship) ORDER TERMS**

OCTOBER 1 through MARCH 31

50% of total invoice DUE ON OR BEFORE MAY 25<sup>TH</sup>

50% of total invoice DUE ON OR BEFORE JUNE 30<sup>TH</sup> (FINAL INSTALLMENT)

FREIGHT ON QUALIFYING INVOICES CAN BE DEDUCTED ON THE JUNE 30<sup>TH</sup> INSTALLMENT OR IF AN INVOICE IS BEING PAID IN FULL. ACCOUNT MUST BE CURRENT TO RECEIVE THIS INCENTIVE.

**TERMS AFTER EARLY BUY**

Invoices dated between **APRIL 1<sup>ST</sup>** and **SEPTEMBER 30<sup>TH</sup>** ARE PAYABLE **NET 30 DAY TERMS.**

PARTS ORDER TERMS: IF PAYMENT IS RECEIVED WITHIN 30 DAYS, A 1% DISCOUNT WILL BE APPLIED.

**FREIGHT:**

Early Buy orders calling for "ship AS READY," will qualify for FREIGHT ALLOWANCE as follows:

\$75,000 Order - Full Freight Allowance Maximum Two Destinations

\$37,500 Order - 50% Freight Allowance One Destination Only

A copy of the paid freight bill must be attached to applicable invoices being paid, if freight charges are not billed on the invoices being paid.

H.I.I. will not be responsible for demurrage or redelivery charges due to a dealer's failure to expedite off loading or non-acceptance of shipments.

Freight deductions will be disallowed if the invoice is not paid on the due date. PLEASE include a copy of the invoice page(s) indicating the freight charge being deducted. The entire account must be current to qualify for freight allowance.

**H.I.I. will not make COD shipments. Cash-in-advance customers must arrange payment via check or ACH prior to shipment. Cashier's check or ACH will expedite your order.**

All products will be shipped by standard common carriers. If H.I.I. is allowing FULL FREIGHT, we will cooperate on requests for special carriers, only if the requested carrier complies with our most competitive freight costs. If the dealer is paying the freight, we will make every effort to honor his special carrier request. We cannot allow customer pickups in Arkansas because of delays and congestion created at the height of our shipping season.



## CREDIT LIMITS

Credit limits will be established for all customers at the sole discretion of H.I.I. Customer's who do not qualify for a credit line may choose to pay for orders in advance using credit cards, ACH, or checks. We accept Visa, Mastercard and American Express. All orders are subject to credit approval.

Cash-in-advance orders will not be released for production or shipping until payment has been received.

Should you sell your business after your Early Buy/Early Ship order has been received, you are required to notify H.I.I. immediately so that responsibility for invoices is correctly assigned. There is no guarantee that the new owner will qualify for a line of credit. The new owner must submit a complete financial information package and qualify on their own merit. You are still responsible for payment of the debt incurred before the sale of the business.

Orders for accounts with invoices more than thirty days past due or who exceed their credit limit will automatically go on credit hold. Orders on credit hold will be released for production and shipping once satisfactory arrangements are made to bring the account within the established guidelines.

Deductions from any invoice must be accompanied with written documentation of the reason for the deduction. Payments made without remittance information will be applied to the oldest open invoices. Dealer is responsible for reconciling their account to the H.I.I. statement monthly and notifying the credit department of any discrepancies. Discrepancies and disputed charges must be communicated to H.I.I. in writing within 60 days of the invoice date.

Accounts unpaid for more than 180 days may be placed with an outside collection agency. Should your account be placed for collection, dealer is responsible for any and all costs associated with collection.

If you do not pay the first installment of your early buy by May 25, your balance, including the June 30 installment, will be due and payable immediately.

If you have invoices more than thirty days past due your account will be assessed a late charge of 1½ % per month on the past due balance as of the end of each month. The late charges are due and payable within thirty days of assessment. Delinquency on initial (early buy) orders may result in disallowed freight deductions and/or subsequent orders being held until satisfactory payment arrangements are made.

In the event Dealer breaches any term contained in this agreement, Dealer shall pay all costs to remedy the breach whether suit be brought or not. This includes pre- and post- litigation costs and the cost of any appeal.

The laws of the State of Arkansas shall govern this agreement and terms contained herein. In the event legal action is initiated to enforce any rights herein, such action may be commenced within the County of Phillips, State of Arkansas.

---

I understand that as a condition for selling Doughboy, Embassy or Lomart parts and products, I agree to and must abide by the terms contained in this Dealer Terms Agreement. In addition, I agree to abide by the Internet marketing policy. I further understand and agree that if I violate the terms of any agreement with H.I.I., H.I.I. reserves the right to revoke my authorization to sell Doughboy, Embassy or Lomart products.

Dealer Name \_\_\_\_\_ Dealer Number \_\_\_\_\_

Date \_\_\_\_\_ Owner/Officer Signature \_\_\_\_\_





## SERVICE CENTER STATEMENT OF AGREEMENT

### TERMINATION:

Should either the below named Service Center or Lomart Industries wish to discontinue relationships, either party shall submit notice in writing thirty (30) days in advance of the termination date. All accounts must be brought into balance prior to the termination date.

If Lomart Industries requests the termination of this agreement, all filter parts which are in the possession of the Service Center will be re-purchased by Lomart Industries at the then existing dealer cost provided, however, that these parts are returned to Lomart Industries freight prepaid, and that the parts are in saleable condition.

### SERVICE AGREEMENT:

Please check one:

- We **will** service all Lomart Industries filters.
- We **do not** wish to be a Service Center.

Date: \_\_\_\_\_

We have read and clearly understand Lomart Industries Service Center Agreement, and agree to abide by the conditions set forth.

---

Name of Service Company

---

Street Address

City, State, and Zip Code

---

Telephone Number

Signature and Title

### ENDORSEMENT:

The terms of this Agreement are acceptable to Lomart Industries.

For your convenience we are providing you with the Consumer Product Safety Agreement form below. Once your customers have signed this form we suggest you keep a copy on file in the event it is needed for legal purposes.



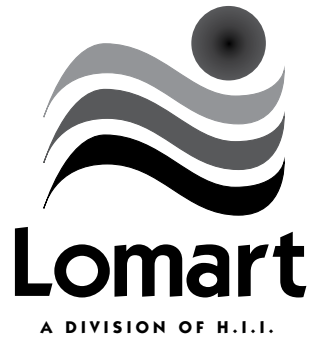
## **CONSUMER PRODUCT SAFETY AGREEMENT**

I \_\_\_\_\_ HAVE BEEN PROPERLY WARNED THAT THE PRODUCTS FROM \_\_\_\_\_, ARE NOT MADE FOR JUMPING OR DIVING AND THAT DOING SO MAY CAUSE SERIOUS PERSONAL PERMANENT INJURY, OR EVEN DEATH.

I WILL BE RESPONSIBLE FOR POSTING ALL SAFETY SIGNS AND WILL REVIEW THE SAFETY INSTRUCTION BOOKLET AND VIDEO PROVIDED BY H.I.I. I WILL WARN ALL OTHERS USING THIS POOL OF THE POSSIBLE INJURY IF MISUSED. I AM SIGNING MY NAME TO THE FACT THAT I HAVE RECEIVED, REVIEWED, AND WILL APPLY ALL SAFETY MATERIALS TO THE PURCHASED PRODUCT.

DATE: \_\_\_\_\_ SIGNATURE: \_\_\_\_\_

WITNESS BY (DEALER SIGNATURE): \_\_\_\_\_



## **ENHANCED LINER WARRANTY PROGRAM/ DEALER WARRANTY WAIVER**

The Enhanced Liner Warranty Program and procedures have been fully explained to me. I understand that no labor, water, or chemical cost will be paid for manufacturing defect on a Doughboy liner unless the Enhanced Liner Warranty is in effect. I also understand that the Manufacturer's Warranty that is packaged with the liner only covers the product and no other costs.

- We will participate in the Enhanced Liner Warranty Program.**
- We will NOT participate in the Enhanced Liner Warranty Program.**

\_\_\_\_\_  
**Dealer Company Name**

\_\_\_\_\_  
**Account Number**

\_\_\_\_\_  
**Dealer Principle Signature**

\_\_\_\_\_  
**Date**

\_\_\_\_\_  
**Sales Representative Signature**

\_\_\_\_\_  
**Date**

\_\_\_\_\_  
**Corporate Customer Relations Manager**

\_\_\_\_\_  
**Date**

**\*\*\*This signed letter must accompany the Initial Sales Order Package\*\*\***



## **Lomart Preferred Plus**

Below is the criterion which must be met in order to participate in Lomart's Preferred Plus Programs. Status will be implemented based on the previous year sales.

---

**MUST BE 100% LOMART DEALER CARRYING ALL LOMART PRODUCTS.**

---

**MUST PURCHASE 1 LOMART LINER TO EVERY LOMART POOL PURCHASED.**

---

**MUST PURCHASE 1 FILTER COMBO TO EVERY LOMART POOL PURCHASED.**

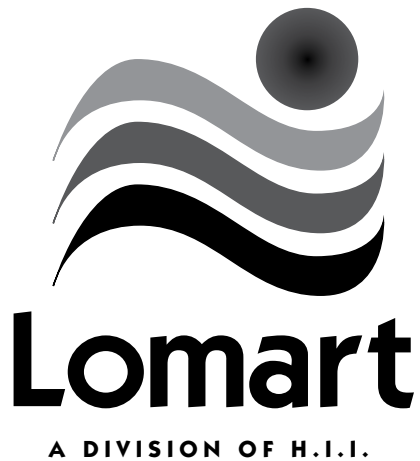
---

**ACCOUNT MUST BE CURRENT IN ORDER TO PARTICIPATE IN THE PROGRAM.**

---

**MUST HAVE IN-STORE OR OUTSIDE LOMART DISPLAY AREA (HAND SECTIONS, WALL SECTIONS, ETC....)**

---



## **PREFERRED PLUS DEALER SIGN-UP FORM**

**YES!** I want to participate in the LOMART PREFERRED PLUS DEALER program. By signing below I agree to continually meet all requirements to receive PREFERRED PLUS status through Lomart.

**I have read and clearly understand Lomart's Preferred Plus Dealer program, and agree to abide by the conditions set forth.**

**Name of Dealer:** \_\_\_\_\_

**Dealer Number:** \_\_\_\_\_

**Signature and Title:** \_\_\_\_\_



# Financial Statement

Date \_\_\_\_\_ 20\_\_\_\_

Firm Name \_\_\_\_\_

Address \_\_\_\_\_ City \_\_\_\_\_

At close of business on \_\_\_\_\_ 20\_\_\_\_ State \_\_\_\_\_

ISSUED TO: \_\_\_\_\_

(PLEASE ANSWER ALL QUESTIONS. WHEN NO FIGURES ARE INSERTED, WRITE WORD "NONE")

| ASSETS  | Dollars   | Cents | LIABILITIES  | Dollars   | Cents |
|---|-----------|-------|--|-----------|-------|
| Cash in Bank  |           |       | Accounts Payable<br>(For Merchandise)              |           |       |
| Cash on Hand  |           |       | Notes and Acceptances Payable<br>(For Merchandise) |           |       |
| Accounts Receivable<br>(Amounts Pledged \$ _____ )                    |           |       | For Borrowed Money:<br>Notes Payable — Unsecured   |           |       |
| Notes and Trade Acceptances Receivable<br>(Amounts Pledged \$ _____ ) |           |       | Notes Payable — Secured                            |           |       |
| Merchandise Inventory<br>(Not on Consignment or Conditional Sale)     |           |       | Income Taxes Payable or Owing                      |           |       |
| (Amounts Pledged \$ _____ )   |           |       | Other Taxes, including Sales Tax, Owing            |           |       |
| Other Current Assets: (Describe)                                      |           |       | Rental, Payrolls, Etc., Owing                      |           |       |
|   |           |       | Other Current Liabilities: (Describe)              |           |       |
|   |           |       |  |           |       |
| <b>TOTAL CURRENT ASSETS</b>   |           |       | <b>TOTAL CURRENT LIABILITIES</b>                   |           |       |
| Land and Buildings (Depreciated Value)                                |           |       | Mortgage on Land and Buildings                     |           |       |
| Leasehold Improvements<br>(Amortized Value)                           |           |       | Chattel Mortgage on Merchandise or<br>Equipment    |           |       |
| Machinery, Fixtures, and Equipment<br>(Depreciated Value)             |           |       | Other Liabilities, Unsecured                       |           |       |
| Due from Others — Not Customers                                       |           |       | Other Liabilities, Secured (Describe)              |           |       |
| Other Assets: (Describe)  |           |       |  |           |       |
|   |           |       | <b>TOTAL LIABILITIES</b>                           |           |       |
|   |           |       | Capital  |           |       |
|   |           |       | Capital Stock \$ _____                             |           |       |
|   |           |       | Surplus \$ _____                                   |           |       |
| <b>TOTAL ASSETS</b>   | <b>\$</b> |       | <b>TOTAL LIABILITIES AND NET CAPITAL</b>           | <b>\$</b> |       |



**STATEMENT OF PROFIT AND LOSS FOR PERIOD FROM \_\_\_\_\_ TO \_\_\_\_\_**

|   |    |  |   |    |  |
|---|----|--|---|----|--|
| <b>NET SALES FOR PERIOD</b>                   | \$ |  | <b>DETAILS OF OPERATING EXPENSES</b>                            | \$ |  |
| Cash  | \$ |  | <b>Salaries</b> — Officers (or owners)                          |    |  |
| Credit  | \$ |  | <b>Salaries</b> — Employees                                     |    |  |
| <b>Inventory at start of Period</b>           | \$ |  | <b>Rent, Heat, Light</b><br>(Include Amortization of Leasehold) |    |  |
| <b>Purchases for Period</b>                   | \$ |  | <b>Advertising</b>  |    |  |
| <b>TOTAL</b>                                  | \$ |  | <b>Delivery</b>   |    |  |
| Less: Inventory at Close of Period            | \$ |  | <b>Insurance</b>  |    |  |
| <b>COST OF GOODS SOLD</b>                     |    |  | <b>Taxes, Including Sales Taxes</b>                             |    |  |
| <b>GROSS PROFIT</b>                           |    |  | <b>Depreciation</b> (Fixtures, Trucks, etc.)                    |    |  |
| Less: Operating Expense                       |    |  | <b>Miscellaneous</b> (Other Operating Expenses)                 |    |  |
| <b>NET OPERATING PROFIT</b>                   |    |  | <b>TOTAL OPERATING EXPENSE</b>                                  | \$ |  |
| Other Additions and Deductions (net)          |    |  | <b>SUPPLEMENTAL INFORMATION (DETAILED)</b>                      | \$ |  |
| <b>NET PROFIT BEFORE FEDERAL INCOME TAXES</b> |    |  | If Incorporated, Amount of Dividends Paid                       |    |  |
| Less: Federal Income Taxes                    |    |  | <b>Interest Paid</b> (Expense)                                  | \$ |  |
| <b>NET PROFIT AFTER TAXES:</b>                | \$ |  | Cash Discount Earned (Income)                                   | \$ |  |

Fire Insurance Carried: On Merchandise \$ \_\_\_\_\_ On Furniture and Fixtures \$ \_\_\_\_\_

Liability Insurance Carried On Premises \$ \_\_\_\_\_

Name of Bank \_\_\_\_\_ Address \_\_\_\_\_

Title to Business Premises is in the name of \_\_\_\_\_

If Premises Leased, State Annual Rental \$ \_\_\_\_\_ Lease Expires \_\_\_\_\_

The foregoing statement (both sides) has been carefully read by the undersigned (both the printed and written material) and is, to my knowledge, in all respects complete, accurate, and truthful. It discloses to you the true state of (our) (my) financial condition on the date indicated. Since that time there has been no material unfavorable change in (our) (my) financial condition other than indicated below under "Remarks."

(We) (I) make the foregoing financial statement in writing intending that you should rely upon it for the purpose of our obtaining merchandise from you on credit. (We) (I) authorize Hoffinger Industries, Inc., to make whatever credit inquiries it deems necessary in connection with my credit application. I authorize and instruct any person or credit reporting agency to compile and furnish any information it may have or obtain in response to such credit applications.

Signature of Principal/Owner \_\_\_\_\_

Date of Signing Statement \_\_\_\_\_ Street \_\_\_\_\_ City \_\_\_\_\_ State \_\_\_\_\_

**REMARKS: (Attach separate sheet if necessary)** \_\_\_\_\_

\_\_\_\_\_

\_\_\_\_\_



# Confidential Credit Application

Doughboy  Lomart  Embassy

Sales Rep \_\_\_\_\_

315 North Sebastian Street  
West Helena, AR 72390  
Phone: 800-266-4740 Ext: 8265  
Fax: 870-572-4851

Company \_\_\_\_\_ Trade/DBA Name \_\_\_\_\_

Owner/Officer \_\_\_\_\_ Title \_\_\_\_\_

Phone \_\_\_\_\_ Fax \_\_\_\_\_ Email \_\_\_\_\_

Check One: Corporation \_\_\_\_\_ LLC \_\_\_\_\_ Ltd. Partnership \_\_\_\_\_ Sole Proprietor \_\_\_\_\_

Physical Address \_\_\_\_\_ City: \_\_\_\_\_ State \_\_\_\_ Zip \_\_\_\_\_

Mailing Address \_\_\_\_\_ City \_\_\_\_\_ State \_\_\_\_ Zip \_\_\_\_\_

Date Started \_\_\_\_\_ Approx. Annual Sales \_\_\_\_\_ Credit Line Requested \_\_\_\_\_

Accounts Payable Contact \_\_\_\_\_ Phone \_\_\_\_\_ AP Email Address \_\_\_\_\_

Company Website Yes \_\_\_\_ No \_\_\_\_ If yes, website address: \_\_\_\_\_

### Customer Trade References

|    | Business Name | Fax Number | Phone Number |
|----|---------------|------------|--------------|
| 1. | _____         | _____      | _____        |
| 2. | _____         | _____      | _____        |
| 3. | _____         | _____      | _____        |

### Bank Information

Bank Name \_\_\_\_\_ Branch \_\_\_\_\_

Address \_\_\_\_\_

City \_\_\_\_\_ State \_\_\_\_ Zip: \_\_\_\_\_ Phone \_\_\_\_\_ Fax \_\_\_\_\_

Account Number Checking \_\_\_\_\_ Savings \_\_\_\_\_ Other \_\_\_\_\_

Line of Credit Yes \_\_ No \_\_ Line Amount \$ \_\_\_\_\_ Secured \_\_\_\_ Unsecured \_\_\_\_

Bank Officer \_\_\_\_\_ Email Address \_\_\_\_\_

### ACKNOWLEDGEMENT

It is understood and agreed that the undersigned specifically consents to the investigation of the applicant's credit history for the purpose of establishing and monitoring credit. The undersigned authorizes their bank and trade references to release the information requested for the processing of this credit application.

Date \_\_\_\_\_ Signature \_\_\_\_\_ Print Name \_\_\_\_\_

Owner or Corporate Officer Signature

**General Information for Corporate Officers, Partners or Sole Proprietors**

**Please list all owners and officers**

Name \_\_\_\_\_ Title \_\_\_\_\_ % Ownership \_\_\_\_\_

Home Address \_\_\_\_\_ City \_\_\_\_\_ State \_\_\_\_\_ Zip \_\_\_\_\_

Home Phone \_\_\_\_\_ Cell Phone \_\_\_\_\_ Email Address \_\_\_\_\_

Social Security Number \_\_\_\_\_ Driver's License No./State of Issue \_\_\_\_\_

Name \_\_\_\_\_ Title \_\_\_\_\_ % Ownership \_\_\_\_\_

Home Address \_\_\_\_\_ City \_\_\_\_\_ State \_\_\_\_\_ Zip \_\_\_\_\_

Home Phone \_\_\_\_\_ Cell Phone \_\_\_\_\_ Email Address \_\_\_\_\_

Social Security Number \_\_\_\_\_ Driver's License No./State of Issue \_\_\_\_\_

Name \_\_\_\_\_ Title \_\_\_\_\_ % Ownership \_\_\_\_\_

Home Address \_\_\_\_\_ City \_\_\_\_\_ State \_\_\_\_\_ Zip \_\_\_\_\_

Home Phone \_\_\_\_\_ Cell Phone \_\_\_\_\_ Email Address \_\_\_\_\_

Social Security Number \_\_\_\_\_ Driver's License No./State of Issue \_\_\_\_\_

Name \_\_\_\_\_ Title \_\_\_\_\_ % Ownership \_\_\_\_\_

Home Address \_\_\_\_\_ City \_\_\_\_\_ State \_\_\_\_\_ Zip \_\_\_\_\_

Home Phone \_\_\_\_\_ Cell Phone \_\_\_\_\_ Email Address \_\_\_\_\_

Social Security Number \_\_\_\_\_ Driver's License No./State of Issue \_\_\_\_\_

**Personal Guarantee**

In consideration of credit granted, the undersigned, \_\_\_\_\_, personally guarantees any and all charges to the aforementioned business account including any and all attorney's fees and other costs incurred in the collection of the debt. In the event that the past due payment is demanded, the undersigned, \_\_\_\_\_ agrees to personally make such payment within ten(10) days of written request. Neither H.I.I. Industries, Inc., nor any of its divisions shall be required to pursue recovery from the principal debtor as a condition of pursuing recovery from the guarantor. Additionally, guarantor shall waive any and all statutes of limitation, which may be applicable to the collection of the obligations owing hereunder.

Date \_\_\_\_\_ Signature \_\_\_\_\_ Print Name \_\_\_\_\_

**BOTH PAGES OF APPLICATION MUST BE COMPLETE IN ORDER TO  
ESTABLISH A LINE OF CREDIT WITH H.I.I.  
INCOMPLETE APPLICATIONS WILL NOT BE ACCEPTED.**

**THE FINANCIAL STATEMENT FORM OR MOST RECENT AUDIT AND INTERNAL BALANCE SHEET  
AND PROFIT/LOSS STATEMENT MUST BE INCLUDED WITH ALL CREDIT APPLICATIONS.  
REVIEW WILL NOT BEGIN UNTIL ALL DOCUMENTS ARE RECEIVED.**



# PRODUCT WARRANTY AT A GLANCE

## POOLS

|                                       |  |  |
|---------------------------------------|--|--|
| 20 Year Warranty                      | <b>Seville II</b>  | First 3 years - 100% coverage on manufacturing defects.<br>Balance is prorated. Bottom Rails 100% Lifetime coverage. |
| 25 Year Warranty                      | <b>Wind Surfer*<br/>Interlude*</b>   | First 3 years - 100% coverage on manufacturing defects.<br>Balance is prorated. Bottom Rails 100% Lifetime coverage. |
| 30 Year Warranty                      | <b>Grand Canyon*</b>   | First 3 years - 100% coverage on manufacturing defects.<br>Balance is prorated. Bottom Rails 100% Lifetime coverage. |
| 35 Year Warranty                      | <b>Grey Mist II<br/>Silver Sierra II</b>   | First 3 years - 100% coverage on manufacturing defects.<br>Balance is prorated. Bottom Rails 100% Lifetime coverage. |
| Prorated Limited<br>Lifetime Warranty | <b>Summer Serenade II<br/>Whispering Wind III<br/>Whispering Wind III/<br/>In-Step</b> | First 3 years - 100% coverage on manufacturing defects.<br>Balance is prorated. Bottom Rails 100% Lifetime coverage. |

*\*No longer sold*

---

## LINERS

**All liners covered at 3 years 100%** coverage against manufacturing defects, balance of warranty is prorated.  
**All liners 100 % Lifetime Warranty on all seams** in liner against defects for the life of the liner.

|                  |   |
|------------------|---|
| 20 Year Warranty | <b>Heavy Duty Overlap Liner</b>                           |
| 25 Year Warranty | <b>Premium Variable Depth and Premium Snap Fast Liner</b> |

---

|                 |   |  |
|-----------------|---|--|
| 1 Year Warranty | <b>Filters &amp;<br/>Pumps</b>            | 1 Years Only for All Parts (except tank) & Labor<br>10 Years Prorated for Filter Tank only |
| 1 Year Warranty | <b>Skimmers</b>                           | 100% coverage on manufacturing defect  |
| 5 Year Warranty | <b>Advantage Access<br/>Great Barrier</b> | First 3 years - 100% coverage on manufacturing defect -<br>Balance is prorated             |
| 1 Year Warranty | <b>Patriot Vac</b>                        | 100% coverage on manufacturing defects   |
| 2 Year Warranty | <b>Pilot Vac</b>                          | 100% coverage on manufacturing defects   |
| 1 Year Warranty | <b>Accessories</b>                        | 100% coverage on manufacturing defects   |
| 1 Year Warranty | <b>Vacuum Hoses</b>                       | 100% coverage on manufacturing defects   |



# 20 YEAR PRORATED LIMITED WARRANTY

**IMPORTANT! Above-ground pools are designed for Swimming and Wading only. Diving or Jumping is product misuse. Do not Dive or Jump! Use only an above-ground swimming pool ladder to enter or exit your pool. Do not use slides, diving boards, or any other platform or object which can be used for improper pool entry! It is your responsibility to secure your pool against unauthorized, unsupervised or unintentional entry. Remember, pool misuse can result in crippling injury and/or other dangers to life and health. Always obey and enforce all safety rules.**

**The use of any type of Chlorine Salt Generating System on your pool will render your warranty coverage null and void. The use of such systems causes premature rusting and corrosion of all the metal parts that are not a manufacturing defect. Lomart will assume no cost, related to the use of such systems.**

## WALL AND FRAME COMPONENTS

### TERMS & CONDITIONS

To validate this limited warranty, fill out the required information on the reverse side of this warranty card and **retain this card** with sales slip and/or proof of purchase.

1. Lomart Industries is the warrantor of this product.  
Mailing Address: Lomart Customer Service:  
315 No. Sebastian St.  
West Helena, AR 72390  
(870) 572-3466
2. This warranty is extended to the original purchaser (consumer) only.
3. This limited warranty covers the Lomart wall and frame components only. The liner is warranted under a separate limited warranty contained in the liner carton.
4. This Lomart warranty prorates the wall and frame component costs over a twenty (20) year period. The metal bottom rails will have a 100% non-prorated lifetime warranty. If any defect in material or workmanship is confirmed by the dealer and/or Lomart during the first three years from date of purchase and if reported to dealer or Lomart, the part or parts will be provided or repaired free of charge. If a determination of defect cannot be made by the local dealer (purchaser may be required to bring the part or parts to the dealer's store for inspection) the purchaser must (after receiving prior authorization from Lomart's Customer Service Department) at his expense, carefully clean, package, and send the part or parts to Lomart. If, at the sole discretion of Lomart Industries, there is a manufacturing defect, the part(s) will be provided or repaired at Lomart's option, **and the applicable freight will be reimbursed in the first year only.**

The method of proration on this warranty is to repair or provide free of charge any part(s) found defective in the first three years from date of purchase. For the next seventeen (17) years, part(s) found to have manufacturing defects will be provided at a prorated cost equal to the following percentages of the then existing manufacturer's suggested retail parts prices.\*\*

The percentages below are paid by the consumer and apply at the beginning of the year listed:

|             |     |                |     |
|-------------|-----|----------------|-----|
| First Year  | 0%  | Sixth thru     |     |
| Second Year | 0%  | Tenth Year     | 65% |
| Third Year  | 0%  | Eleventh thru  |     |
| Fourth Year | 55% | Fifteenth Year | 70% |
| Fifth Year  | 60% | Sixteenth thru |     |
|             |     | Twentieth Year | 75% |

Freight Collect. Cashiers check or money order required prior to shipment from Lomart.

\*\*Retailers will from time to time offer parts for sale at prices less than the manufacturer's suggested retail price; therefore, the purchaser should check with their local Lomart dealer to assure the lowest possible replacement cost.

5. If a suspected factory defect is encountered, the purchaser must be willing to return the part or parts to the dealer location for inspection and must bear the expense involved in this requirement. If (as stated in Item 4) the dealer cannot determine whether the problem is, in fact, a factory defect, then the purchaser must bear the expense of cleaning, packaging, and shipping the part or parts to Lomart's plant for inspection and determination.
6. No incidental, consequential, or other damages will be paid. Failure of the purchaser to allow the dealer and/or manufacturer to inspect the product claimed defective (at dealer's and/or manufacturer's business location), shall render the warranties made hereunder null and void. Lomart cannot be responsible for damage to the wall and frame components caused by the purchaser or the installer.

**Lomart is not responsible for any cost of reinstallation including but not limited to, labor, water replacement or chemical loss due to any manufacturing defect.**

**This warranty is null and void if the design of this product is altered in any way. (Thus, the product must be assembled according to the factory directions and no changes made in any of the parts.)** This pool is designed to be installed as an above-ground portable pool. Burying the wall and frame components (other than defined in the pool instructions or necessary to level the pool) below the surface level of the ground voids all warranties.

All commitments by dealer and manufacturer shall be declared null and void if the purchaser fails to comply with instructions pertaining to care, and maintenance as outlined in detail in the Lomart "Safety First Pool Use Handbook", as well as full compliance with all safety instructions, including the placement of all signs and decals included with the product.

Lomart Industries is in no way affiliated with any professional pool installer. Therefore, Lomart can assume no responsibility for errors in installation by the homeowner or said professional installer. If you have the pool installed by others, please supervise to be sure they comply with proper installation techniques as shown.

Lomart is not involved in or responsible for pool installations. **UNDER NO CONDITIONS WILL LOMART BE RESPONSIBLE FOR THE COST OF LABOR AND/OR WATER OR CHEMICAL LOSS OR ANY DAMAGES THAT MAY OCCUR THEREFROM.** Customer must be satisfied with completed installation, whether professionally or self-installed, before proceeding with additional landscaping.

**(Continued on back)**

The liner warranty cautions the purchaser not to empty the pool because of potential damage to the liner. A pool left standing empty is also exposed to potential severe wind damage. Such damage would not be covered by this warranty.

**Warranty claims resulting from failure to stop leaking from the skimmer gasket or return gasket are not covered under this warranty.**

The wall and frame components of this pool can be severely damaged by ice formed in the pool which is not supported by a stable water level. Small punctures or cuts in the pool liner can lower the water level considerably over a several month period and shift the weight of tons of ice onto the wall and frame components and circumference of the pool liner. It is the purchaser's responsibility to assure that the pool liner does not leak if the pool is to be subjected to subfreezing temperatures. Failure to repair a leak can void this warranty. Damage to the pool from ice shifting or movement is not covered by this limited warranty. Damage resulting from customer's failure to comply with pool chemical manufacturer's instructions is not covered by this warranty.

- To obtain performance under this warranty, the purchaser should first contact the dealer from whom the product was purchased. The dealer is authorized to correct legitimate factory defects; however, he also is charged with the responsibility of determining beyond a reasonable doubt that the defect was one created by the manufacturer.

It is the intent that all warranted defects of wall and frame pool components be corrected by the dealer.

- In the event that the purchaser and the dealer cannot reach a satisfactory agreement, the purchaser should contact Lomart's Customer Service Department (shown in Item 1 of this warranty). At that point, Lomart will work directly with the purchaser and/or field sales representative to ascertain the facts and to make a determination as to the factory's position in relation to the product problem.

- This warranty gives specific legal rights; the purchaser also has implied warranty rights. In the event of a problem with warranty service or performance, the purchaser may go to a small claims court, a state court, or a federal district court.
- Lomart maintains normal business hours between 8:00 a.m. and 5:00 p.m. Monday through Friday (based on Central Std. Time). Retail establishments selling Lomart products are authorized by the factory to correct factory defects during their normal working hours.
- The intent of this warranty is to correct a factory defect as expeditiously as possible. Most dealers attempt to maintain a parts inventory from which to take immediate corrective action if necessary. In the event the dealer does not have a specific part, the factory will make every effort to ship the part or parts by common carrier within five working days or less after receiving the order. (Due to the seasonal nature of this business, Acts of God, strikes, or other uncontrollable problems, the shipping date could be delayed.
- As stated before, this warranty covers the wall and frame components only. The liner carries a separate warranty. Retain sales slip and/or proof of purchase.

Lomart Industries expressly reserves the right to change or modify the design and construction of any product in due course of our manufacturing procedures, without incurring any obligation or liability to furnish or install such changes or modifications of products previously or subsequently sold.

Terms of sale of our warranty exclude liability for willful carelessness.

Date Purchased \_\_\_\_\_ Price \$ \_\_\_\_\_  
 Date Installed \_\_\_\_\_ Pool Model No. \_\_\_\_\_  
 Liner Model No. \_\_\_\_\_ Replacement? \_\_\_\_\_  
 Store Name & Address: \_\_\_\_\_

Lomart Customer Service  
 315 No. Sebastian St.  
 West Helena, AR 72390  
 (870) 572-3466

**RETAIN THIS WARRANTY**





# 25 YEAR PRORATED LIMITED WARRANTY

**IMPORTANT! Above-ground pools are designed for Swimming and Wading only. Diving or Jumping is product misuse. Do not Dive or Jump! Use only an above-ground swimming pool ladder to enter or exit your pool. Do not use slides, diving boards, or any other platform or object which can be used for improper pool entry! It is your responsibility to secure your pool against unauthorized, unsupervised or unintentional entry. Remember, pool misuse can result in crippling injury and/or other dangers to life and health. Always obey and enforce all safety rules.**

**The use of any type of Chlorine Salt Generating System on your pool will render your warranty coverage null and void. The use of such systems causes premature rusting and corrosion of all the metal parts that are not a manufacturing defect. Lomart will assume no cost, related to the use of such systems.**

## WALL AND FRAME COMPONENTS TERMS & CONDITIONS

To validate this limited warranty, fill out the required information on the reverse side of this warranty card and **retain this card** with sales slip and/or proof of purchase.

1. Lomart Industries is the warrantor of this product.  
Mailing Address: Lomart Customer Service:  
315 No. Sebastian St.  
West Helena, AR 72390  
(870) 572-3466
2. This warranty is extended to the original purchaser (consumer) only.
3. This limited warranty covers the Lomart wall and frame components only. The liner is warranted under a separate limited warranty contained in the liner carton.
4. This Lomart warranty prorates the wall and frame component costs over a twenty-five (25) year period. The metal bottom rails will have a 100% non-prorated lifetime warranty. If any defect in material or workmanship is confirmed by the dealer and/or Lomart during the first three years from date of purchase and if reported to dealer or Lomart, the part or parts will be provided or repaired free of charge. If a determination of defect cannot be made by the local dealer (purchaser may be required to bring the part or parts to the dealer's store for inspection) the purchaser must (after receiving prior authorization from Lomart's Customer Service Department) at his expense, carefully clean, package, and send the part or parts to Lomart. If, at the sole discretion of Lomart Industries, there is a manufacturing defect, the part(s) will be provided or repaired at Lomart's option, **and the applicable freight will be reimbursed in the first year only.**

The method of proration on this warranty is to repair or provide free of charge any part(s) found defective in the first three years from date of purchase. For the next twenty-two (22) years, part(s) found to have manufacturing defects will be provided at a prorated cost equal to the following percentages of the then existing manufacturer's suggested retail parts prices.\*\*

The percentages below are paid by the consumer and apply at the beginning of the year listed:

|             |     |                   |     |
|-------------|-----|-------------------|-----|
| First Year  | 0%  | Sixth thru        |     |
| Second Year | 0%  | Tenth Year        | 65% |
| Third Year  | 0%  | Eleventh thru     |     |
| Fourth Year | 55% | Fifteenth Year    | 70% |
| Fifth Year  | 60% | Sixteenth thru    |     |
|             |     | Twenty-fifth Year | 75% |

Freight Collect. Cashiers check or money order required prior to shipment from Lomart.

\*\*Retailers will from time to time offer parts for sale at prices less than the manufacturer's suggested retail price; therefore, the purchaser should check with their local Lomart dealer to assure the lowest possible replacement cost.

5. If a suspected factory defect is encountered, the purchaser must be willing to return the part or parts to the dealer location for inspection and must bear the expense involved in this requirement. If (as stated in Item 4) the dealer cannot determine whether the problem is, in fact, a factory defect, then the purchaser must bear the expense of cleaning, packaging, and shipping the part or parts to Lomart's plant for inspection and determination.
6. No incidental, consequential, or other damages will be paid. Failure of the purchaser to allow the dealer and/or manufacturer to inspect the product claimed defective (at dealer's and/or manufacturer's business location), shall render the warranties made hereunder null and void. Lomart cannot be responsible for damage to the wall and frame components caused by the purchaser or the installer.

**Lomart is not responsible for any cost of reinstallation including but not limited to, labor, water replacement or chemical loss due to any manufacturing defect.**

**This warranty is null and void if the design of this product is altered in any way. (Thus, the product must be assembled according to the factory directions and no changes made in any of the parts.)** This pool is designed to be installed as an above-ground portable pool. Burying the wall and frame components (other than defined in the pool instructions or necessary to level the pool) below the surface level of the ground voids all warranties.

All commitments by dealer and manufacturer shall be declared null and void if the purchaser fails to comply with instructions pertaining to care, and maintenance as outlined in detail in the Lomart "Safety First Pool Use Handbook", as well as full compliance with all safety instructions, including the placement of all signs and decals included with the product.

Lomart Industries is in no way affiliated with any professional pool installer. Therefore, Lomart can assume no responsibility for errors in installation by the homeowner or said professional installer. If you have the pool installed by others, please supervise to be sure they comply with proper installation techniques as shown.

Lomart is not involved in or responsible for pool installations. **UNDER NO CONDITIONS WILL LOMART BE RESPONSIBLE FOR THE COST OF LABOR AND/OR WATER OR CHEMICAL LOSS OR ANY DAMAGES THAT MAY OCCUR THEREFROM.** Customer must be satisfied with completed installation, whether professionally or self-installed, before proceeding with additional landscaping.

**(Continued on back)**

565-1233

The liner warranty cautions the purchaser not to empty the pool because of potential damage to the liner. A pool left standing empty is also exposed to potential severe wind damage. Such damage would not be covered by this warranty.

**Warranty claims resulting from failure to stop leaking from the skimmer gasket or return gasket are not covered under this warranty.**

The wall and frame components of this pool can be severely damaged by ice formed in the pool which is not supported by a stable water level. Small punctures or cuts in the pool liner can lower the water level considerably over a several month period and shift the weight of tons of ice onto the wall and frame components and circumference of the pool liner. It is the purchaser's responsibility to assure that the pool liner does not leak if the pool is to be subjected to subfreezing temperatures. Failure to repair a leak can void this warranty. Damage to the pool from ice shifting or movement is not covered by this limited warranty. Damage resulting from customer's failure to comply with pool chemical manufacturer's instructions is not covered by this warranty.

- 7. To obtain performance under this warranty, the purchaser should first contact the dealer from whom the product was purchased. The dealer is authorized to correct legitimate factory defects; however, he also is charged with the responsibility of determining beyond a reasonable doubt that the defect was one created by the manufacturer.

It is the intent that all warranted defects of wall and frame pool components be corrected by the dealer.

- 8. In the event that the purchaser and the dealer cannot reach a satisfactory agreement, the purchaser should contact Lomart's Customer Service Department (shown in Item 1 of this warranty). At that point, Lomart will work directly with the purchaser and/or field sales representative to ascertain the facts and to make a determination as to the factory's position in relation to the product problem.

- 9. This warranty gives specific legal rights; the purchaser also has implied warranty rights. In the event of a problem with warranty service or performance, the purchaser may go to a small claims court, a state court, or a federal district court.
- 10. Lomart maintains normal business hours between 8:00 a.m. and 5:00 p.m. Monday through Friday (based on Central Std. Time). Retail establishments selling Lomart products are authorized by the factory to correct factory defects during their normal working hours.
- 11. The intent of this warranty is to correct a factory defect as expeditiously as possible. Most dealers attempt to maintain a parts inventory from which to take immediate corrective action if necessary. In the event the dealer does not have a specific part, the factory will make every effort to ship the part or parts by common carrier within five working days or less after receiving the order. (Due to the seasonal nature of this business, Acts of God, strikes, or other uncontrollable problems, the shipping date could be delayed.
- 12. As stated before, this warranty covers the wall and frame components only. The liner carries a separate warranty. Retain sales slip and/or proof of purchase.

Lomart Industries expressly reserves the right to change or modify the design and construction of any product in due course of our manufacturing procedures, without incurring any obligation or liability to furnish or install such changes or modifications of products previously or subsequently sold.

Terms of sale of our warranty exclude liability for willful carelessness.

Date Purchased \_\_\_\_\_ Price \$ \_\_\_\_\_

Date Installed \_\_\_\_\_ Pool Model No. \_\_\_\_\_

Liner Model No. \_\_\_\_\_ Replacement? \_\_\_\_\_

Store Name & Address:

\_\_\_\_\_

Lomart Customer Service  
 315 No. Sebastian St.  
 West Helena, AR 72390  
 (870) 572-3466

**RETAIN THIS WARRANTY**







# 30 YEAR PRORATED LIMITED WARRANTY

**IMPORTANT! Above-ground pools are designed for Swimming and Wading only. Diving or Jumping is product misuse. Do not Dive or Jump! Use only an above-ground swimming pool ladder to enter or exit your pool. Do not use slides, diving boards, or any other platform or object which can be used for improper pool entry! It is your responsibility to secure your pool against unauthorized, unsupervised or unintentional entry. Remember, pool misuse can result in crippling injury and/or other dangers to life and health. Always obey and enforce all safety rules.**

**The use of any type of Chlorine Salt Generating System on your pool will render your warranty coverage null and void. The use of such systems causes premature rusting and corrosion of all the metal parts that are not a manufacturing defect. Lomart will assume no cost, related to the use of such systems.**

## WALL AND FRAME COMPONENTS

### TERMS & CONDITIONS

To validate this limited warranty, fill out the required information on the reverse side of this warranty card and **retain this card** with sales slip and/or proof of purchase.

1. Lomart Industries is the warrantor of this product.  
Mailing Address: Lomart Customer Service:  
315 No. Sebastian St.  
West Helena, AR 72390  
(870) 572-3466
2. This warranty is extended to the original purchaser (consumer) only.
3. This limited warranty covers the Lomart wall and frame components only. The liner is warranted under a separate limited warranty contained in the liner carton.
4. This Lomart warranty prorates the wall and frame component costs over a thirty (30) year period. The metal bottom rails will have a 100% non-prorated lifetime warranty. If any defect in material or workmanship is confirmed by the dealer and/or Lomart during the first three years from date of purchase and if reported to dealer or Lomart, the part or parts will be provided or repaired free of charge. If a determination of defect cannot be made by the local dealer (purchaser may be required to bring the part or parts to the dealer's store for inspection) the purchaser must (after receiving prior authorization from Lomart's Customer Service Department) at his expense, carefully clean, package, and send the part or parts to Lomart. If, at the sole discretion of Lomart Industries, there is a manufacturing defect, the part(s) will be provided or repaired at Lomart's option, **and the applicable freight will be reimbursed in the first year only.**

The method of proration on this warranty is to repair or provide free of charge any part(s) found defective in the first three years from date of purchase. For the next twenty-seven (27) years, part(s) found to have manufacturing defects will be provided at a prorated cost equal to the following percentages of the then existing manufacturer's suggested retail parts prices.\*\*

The percentages below are paid by the consumer and apply at the beginning of the year listed:

|             |     |                |     |
|-------------|-----|----------------|-----|
| First Year  | 0%  | Sixth thru     |     |
| Second Year | 0%  | Tenth Year     | 65% |
| Third Year  | 0%  | Eleventh thru  |     |
| Fourth Year | 55% | Fifteenth Year | 70% |
| Fifth Year  | 60% | Sixteenth thru |     |
|             |     | Thirtieth Year | 75% |

Freight Collect. Cashiers check or money order required prior to shipment from Lomart.

\*\*Retailers will from time to time offer parts for sale at prices less than the manufacturer's suggested retail price; therefore, the purchaser should check with their local Lomart dealer to assure the lowest possible replacement cost.

5. If a suspected factory defect is encountered, the purchaser must be willing to return the part or parts to the dealer location for inspection and must bear the expense involved in this requirement. If (as stated in Item 4) the dealer cannot determine whether the problem is, in fact, a factory defect, then the purchaser must bear the expense of cleaning, packaging, and shipping the part or parts to Lomart's plant for inspection and determination.
6. No incidental, consequential, or other damages will be paid. Failure of the purchaser to allow the dealer and/or manufacturer to inspect the product claimed defective (at dealer's and/or manufacturer's business location), shall render the warranties made hereunder null and void. Lomart cannot be responsible for damage to the wall and frame components caused by the purchaser or the installer.

**Lomart is not responsible for any cost of reinstallation including but not limited to, labor, water replacement or chemical loss due to any manufacturing defect.**

**This warranty is null and void if the design of this product is altered in any way. (Thus, the product must be assembled according to the factory directions and no changes made in any of the parts.)** This pool is designed to be installed as an above-ground portable pool. Burying the wall and frame components (other than defined in the pool instructions or necessary to level the pool) below the surface level of the ground voids all warranties.

All commitments by dealer and manufacturer shall be declared null and void if the purchaser fails to comply with instructions pertaining to care, and maintenance as outlined in detail in the Lomart "Safety First Pool Use Handbook", as well as full compliance with all safety instructions, including the placement of all signs and decals included with the product.

Lomart Industries is in no way affiliated with any professional pool installer. Therefore, Lomart can assume no responsibility for errors in installation by the homeowner or said professional installer. If you have the pool installed by others, please supervise to be sure they comply with proper installation techniques as shown.

Lomart is not involved in or responsible for pool installations. **UNDER NO CONDITIONS WILL LOMART BE RESPONSIBLE FOR THE COST OF LABOR AND/OR WATER OR CHEMICAL LOSS OR ANY DAMAGES THAT MAY OCCUR THEREFROM.** Customer must be satisfied with completed installation, whether professionally or self-installed, before proceeding with additional landscaping.

The liner warranty cautions the purchaser not to empty

the pool because of potential damage to the liner. A pool left standing empty is also exposed to potential severe wind damage. Such damage would not be covered by this warranty.

**Warranty claims resulting from failure to stop leaking from the skimmer gasket or return gasket are not covered under this warranty.**

The wall and frame components of this pool can be severely damaged by ice formed in the pool which is not supported by a stable water level. Small punctures or cuts in the pool liner can lower the water level considerably over a several month period and shift the weight of tons of ice onto the wall and frame components and circumference of the pool liner. It is the purchaser's responsibility to assure that the pool liner does not leak if the pool is to be subjected to subfreezing temperatures. Failure to repair a leak can void this warranty. Damage to the pool from ice shifting or movement is not covered by this limited warranty. Damage resulting from customer's failure to comply with pool chemical manufacturer's instructions is not covered by this warranty.

- 7. To obtain performance under this warranty, the purchaser should first contact the dealer from whom the product was purchased. The dealer is authorized to correct legitimate factory defects; however, he also is charged with the responsibility of determining beyond a reasonable doubt that the defect was one created by the manufacturer.

It is the intent that all warranted defects of wall and frame pool components be corrected by the dealer.

- 8. In the event that the purchaser and the dealer cannot reach a satisfactory agreement, the purchaser should contact Lomart's Customer Service Department (shown in Item 1 of this warranty). At that point, Lomart will work directly with the purchaser and/or field sales representative to ascertain the facts and to make a determination as to the factory's position in relation to the product problem.

- 9. This warranty gives specific legal rights; the purchaser also has implied warranty rights. In the event of a problem with warranty service or performance, the purchaser may go to a small claims court, a state court, or a federal district court.
- 10. Lomart maintains normal business hours between 8:00 a.m. and 5:00 p.m. Monday through Friday (based on Central Std. Time). Retail establishments selling Lomart products are authorized by the factory to correct factory defects during their normal working hours.
- 11. The intent of this warranty is to correct a factory defect as expeditiously as possible. Most dealers attempt to maintain a parts inventory from which to take immediate corrective action if necessary. In the event the dealer does not have a specific part, the factory will make every effort to ship the part or parts by common carrier within five working days or less after receiving the order. (Due to the seasonal nature of this business, Acts of God, strikes, or other uncontrollable problems, the shipping date could be delayed.
- 12. As stated before, this warranty covers the wall and frame components only. The liner carries a separate warranty. Retain sales slip and/or proof of purchase.

Lomart Industries expressly reserves the right to change or modify the design and construction of any product in due course of our manufacturing procedures, without incurring any obligation or liability to furnish or install such changes or modifications of products previously or subsequently sold.

Terms of sale of our warranty exclude liability for willful carelessness.

Date Purchased \_\_\_\_\_ Price \$ \_\_\_\_\_

Date Installed \_\_\_\_\_ Pool Model No. \_\_\_\_\_

Liner Model No. \_\_\_\_\_ Replacement? \_\_\_\_\_

Store Name & Address:

\_\_\_\_\_

Lomart Customer Service  
315 No. Sebastian St.  
West Helena, AR 72390  
(870) 572-3466

**RETAIN THIS WARRANTY**





# 35 YEAR PRORATED LIMITED WARRANTY

**IMPORTANT! Above-ground pools are designed for Swimming and Wading only. Diving or Jumping is product misuse. Do not Dive or Jump! Use only an above-ground swimming pool ladder to enter or exit your pool. Do not use slides, diving boards, or any other platform or object which can be used for improper pool entry! It is your responsibility to secure your pool against unauthorized, unsupervised or unintentional entry. Remember, pool misuse can result in crippling injury and/or other dangers to life and health. Always obey and enforce all safety rules.**

**The use of any type of Chlorine Salt Generating System on your pool will render your warranty coverage null and void. The use of such systems causes premature rusting and corrosion of all the metal parts that are not a manufacturing defect. Lomart will assume no cost, related to the use of such systems.**

## WALL AND FRAME COMPONENTS

### TERMS & CONDITIONS

To validate this limited warranty, fill out the required information on the reverse side of this warranty card and **retain this card** with sales slip and/or proof of purchase.

- Lomart Industries is the warrantor of this product.  
Mailing Address: Lomart Customer Service:  
315 No. Sebastian St.  
West Helena, AR 72390  
(870) 572-3466
- This warranty is extended to the original purchaser (consumer) only.
- This limited warranty covers the Lomart wall and frame components only. The liner is warranted under a separate limited warranty contained in the liner carton.
- This Lomart warranty prorates the wall and frame component costs over a thirty-five (35) year period. The metal bottom rails will have a 100% nonprorated lifetime warranty. If any defect in material or workmanship is confirmed by the dealer and/or Lomart during the first three years from date of purchase and if reported to dealer or Lomart, the part or parts will be provided or repaired free of charge. If a determination of defect cannot be made by the local dealer (purchaser may be required to bring the part or parts to the dealer's store for inspection) the purchaser must (after receiving prior authorization from Lomart's Customer Service Department) at his expense, carefully clean, package, and send the part or parts to Lomart. If, at the sole discretion of Lomart Industries, there is a manufacturing defect, the part(s) will be provided or repaired at Lomart's option, **and the applicable freight will be reimbursed in the first year only.**

The method of proration on this warranty is to repair or provide free of charge any part(s) found defective in the first three years from date of purchase. For the next thirty-two (32) years, part(s) found to have manufacturing defects will be provided at a prorated cost equal to the following percentages of the then existing manufacturer's suggested retail parts prices.\*\*

The percentages below are paid by the consumer and apply at the beginning of the year listed:

|             |     |                   |     |
|-------------|-----|-------------------|-----|
| First Year  | 0%  | Sixth thru        |     |
| Second Year | 0%  | Tenth Year        | 65% |
| Third Year  | 0%  | Eleventh thru     |     |
| Fourth Year | 55% | Fifteenth Year    | 70% |
| Fifth Year  | 60% | Sixteenth thru    |     |
|             |     | Thirty-fifth Year | 75% |

Freight Collect. Cashiers check or money order required prior to shipment from Lomart.

\*\*Retailers will from time to time offer parts for sale at prices less than the manufacturer's suggested retail price; therefore, the purchaser should check with their local Lomart dealer to assure the lowest possible replacement cost.

- If a suspected factory defect is encountered, the purchaser must be willing to return the part or parts to the dealer location for inspection and must bear the expense involved in this requirement. If (as stated in Item 4) the dealer cannot determine whether the problem is, in fact, a factory defect, then the purchaser must bear the expense of cleaning, packaging, and shipping the part or parts to Lomart's plant for inspection and determination.
- No incidental, consequential, or other damages will be paid. Failure of the purchaser to allow the dealer and/or manufacturer to inspect the product claimed defective (at dealer's and/or manufacturer's business location), shall render the warranties made hereunder null and void. Lomart cannot be responsible for damage to the wall and frame components caused by the purchaser or the installer.

**Lomart is not responsible for any cost of reinstallation including but not limited to, labor, water replacement or chemical loss due to any manufacturing defect.**

**This warranty is null and void if the design of this product is altered in any way. (Thus, the product must be assembled according to the factory directions and no changes made in any of the parts.)** This pool is designed to be installed as an above-ground portable pool. Burying the wall and frame components (other than defined in the pool instructions or necessary to level the pool) below the surface level of the ground voids all warranties.

All commitments by dealer and manufacturer shall be declared null and void if the purchaser fails to comply with instructions pertaining to care, and maintenance as outlined in detail in the Lomart "Safety First Pool Use Handbook", as well as full compliance with all safety instructions, including the placement of all signs and decals included with the product.

Lomart Industries is in no way affiliated with any professional pool installer. Therefore, Lomart can assume no responsibility for errors in installation by the homeowner or said professional installer. If you have the pool installed by others, please supervise to be sure they comply with proper installation techniques as shown.

Lomart is not involved in or responsible for pool installations. **UNDER NO CONDITIONS WILL LOMART BE RESPONSIBLE FOR THE COST OF LABOR AND/OR WATER OR CHEMICAL LOSS OR ANY DAMAGES THAT MAY OCCUR THEREFROM.** Customer must be satisfied with completed installation, whether professionally or self-installed, before proceeding with additional landscaping.

**(Continued on back)**

The liner warranty cautions the purchaser not to empty the pool because of potential damage to the liner. A pool left standing empty is also exposed to potential severe wind damage. Such damage would not be covered by this warranty.

**Warranty claims resulting from failure to stop leaking from the skimmer gasket or return gasket are not covered under this warranty.**

The wall and frame components of this pool can be severely damaged by ice formed in the pool which is not supported by a stable water level. Small punctures or cuts in the pool liner can lower the water level considerably over a several month period and shift the weight of tons of ice onto the wall and frame components and circumference of the pool liner. It is the purchaser's responsibility to assure that the pool liner does not leak if the pool is to be subjected to subfreezing temperatures. Failure to repair a leak can void this warranty. Damage to the pool from ice shifting or movement is not covered by this limited warranty. Damage resulting from customer's failure to comply with pool chemical manufacturer's instructions is not covered by this warranty.

7. To obtain performance under this warranty, the purchaser should first contact the dealer from whom the product was purchased. The dealer is authorized to correct legitimate factory defects; however, he also is charged with the responsibility of determining beyond a reasonable doubt that the defect was one created by the manufacturer.

It is the intent that all warranted defects of wall and frame pool components be corrected by the dealer.

8. In the event that the purchaser and the dealer cannot reach a satisfactory agreement, the purchaser should contact Lomart's Customer Service Department (shown in Item 1 of this warranty). At that point, Lomart will work directly with the purchaser and/or field sales representative to ascertain the facts and to make a determination as to the factory's position in relation to the product problem.

9. This warranty gives specific legal rights; the purchaser also has implied warranty rights. In the event of a problem with warranty service or performance, the purchaser may go to a small claims court, a state court, or a federal district court.
10. Lomart maintains normal business hours between 8:00 a.m. and 5:00 p.m. Monday through Friday (based on Central Std. Time). Retail establishments selling Lomart products are authorized by the factory to correct factory defects during their normal working hours.
11. The intent of this warranty is to correct a factory defect as expeditiously as possible. Most dealers attempt to maintain a parts inventory from which to take immediate corrective action if necessary. In the event the dealer does not have a specific part, the factory will make every effort to ship the part or parts by common carrier within five working days or less after receiving the order. (Due to the seasonal nature of this business, Acts of God, strikes, or other uncontrollable problems, the shipping date could be delayed.
12. As stated before, this warranty covers the wall and frame components only. The liner carries a separate warranty. Retain sales slip and/or proof of purchase.

Lomart Industries expressly reserves the right to change or modify the design and construction of any product in due course of our manufacturing procedures, without incurring any obligation or liability to furnish or install such changes or modifications of products previously or subsequently sold.

Terms of sale of our warranty exclude liability for willful carelessness.

Date Purchased \_\_\_\_\_ Price \$ \_\_\_\_\_  
 Date Installed \_\_\_\_\_ Pool Model No. \_\_\_\_\_  
 Liner Model No. \_\_\_\_\_ Replacement? \_\_\_\_\_  
 Store Name & Address: \_\_\_\_\_

Lomart Customer Service  
 315 No. Sebastian St.  
 West Helena, AR 72390  
 (870) 572-3466

**RETAIN THIS WARRANTY**





## PRORATED LIMITED LIFETIME WARRANTY

**IMPORTANT!** Above-ground pools are designed for Swimming and Wading only. Diving or Jumping is product misuse. Do not Dive or Jump! Use only an above-ground swimming pool ladder to enter or exit your pool. Do not use slides, diving boards, or any other platform or object which can be used for improper pool entry! It is your responsibility to secure your pool against unauthorized, unsupervised or unintentional entry. Remember, pool misuse can result in crippling injury and/or other dangers to life and health. Always obey and enforce all safety rules.

The use of any type of Chlorine Salt Generating System on your pool will render your warranty coverage null and void. The use of such systems causes premature rusting and corrosion of all the metal parts that are not a manufacturing defect. Lomart will assume no cost, related to the use of such systems.

## WALL AND FRAME COMPONENTS TERMS & CONDITIONS

To validate this limited warranty, fill out the required information on the reverse side of this warranty card and **retain this card** with sales slip and/or proof of purchase.

1. Lomart Industries is the warrantor of this product.  
Mailing Address: Lomart Customer Service:  
315 No. Sebastian St.  
West Helena, AR 72390  
(870) 572-3466
2. This warranty is extended to the original purchaser (consumer) only.
3. This limited warranty covers the Lomart wall and frame components only. The liner is warranted under a separate limited warranty contained in the liner carton.
4. This Lomart warranty prorates the wall and frame component costs over a Lifetime period. If any defect in material or workmanship is confirmed by the dealer and/or Lomart during the first three years from date of purchase and if reported to dealer or Lomart, the part or parts will be replaced or repaired free of charge. If a determination of defect cannot be made by the local dealer (purchaser may be required to bring the part or parts to the dealer's store for inspection) the purchaser must (after receiving prior authorization from Lomart's Customer Service Department) at his expense, carefully clean, package, and send the part or parts to Lomart. If, at the sole discretion of Lomart Industries, there is a manufacturing defect, the part(s) will be replaced or repaired at Lomart's option, and the applicable freight will be reimbursed in the first year only.

The method of proration on this warranty is to repair or replace free of charge any part(s) found defective in the first three years from date of purchase. For the life of the product, part(s) found to have manufacturing defects will be replaced at a prorated cost equal to the following percentages of the then existing manufacturer's suggested retail parts prices.\*\*

The percentages below are paid by the consumer and apply at the beginning of the year listed:

|             |     |                |     |
|-------------|-----|----------------|-----|
| First Year  | 0%  | Sixth thru     |     |
| Second Year | 0%  | Tenth Year     | 65% |
| Third Year  | 0%  | Eleventh thru  |     |
| Fourth Year | 55% | Fifteenth Year | 70% |
| Fifth Year  | 60% | Sixteenth thru |     |
|             |     | Lifetime       | 75% |

Freight Collect. Cashiers check or money order required prior to shipment from Lomart.

\*\*Retailers will from time to time offer parts for sale at prices less than the manufacturer's suggested retail price; therefore, the purchaser should check with their local Lomart dealer to assure the lowest possible replacement cost.

5. If a suspected factory defect is encountered, the purchaser must be willing to return the part or parts to the dealer location for inspection and must bear the expense involved in this requirement. If (as stated in Item 4) the dealer cannot determine whether the problem is, in fact, a factory defect, then the purchaser must bear the expense of cleaning, packaging, and shipping the part or parts to Lomart's plant for inspection and determination.
6. No incidental, consequential, or other damages will be paid. Failure of the purchaser to allow the dealer and/or manufacturer to inspect the product claimed defective (at dealer's and/or manufacturer's business location), shall render the warranties made hereunder null and void. Lomart cannot be responsible for damage to the wall and frame components caused by the purchaser or the installer.

Lomart is not responsible for any cost of reinstallation including but not limited to, labor, water replacement or chemical loss due to any manufacturing defect.

**This warranty is null and void if the design of this product is altered in any way. (Thus, the product must be assembled according to the factory directions and no changes made in any of the parts.)** This pool is designed to be installed as an above-ground portable pool. Burying the wall and frame components (other than defined in the pool instructions or necessary to level the pool) below the surface level of the ground voids all warranties.

All commitments by dealer and manufacturer shall be declared null and void if the purchaser fails to comply with instructions pertaining to care, and maintenance as outlined in detail in the Lomart "Safety First Pool Use Handbook", as well as full compliance with all safety instructions, including the placement of all signs and decals included with the product.

Lomart Industries is in no way affiliated with any professional pool installer. Therefore, Lomart can assume no responsibility for errors in installation by the homeowner or said professional installer. If you have the pool installed by others, please supervise to be sure they comply with proper installation techniques as shown.

Lomart is not involved in or responsible for pool installations. UNDER NO CONDITIONS WILL LOMART BE RESPONSIBLE FOR THE COST OF LABOR AND/OR WATER OR CHEMICAL LOSS OR ANY DAMAGES THAT MAY OCCUR THEREFROM. Customer must be satisfied with completed installation, whether professionally or self-installed, before proceeding with additional landscaping.

(Continued on back)

The liner warranty cautions the purchaser not to empty the pool because of potential damage to the liner. A pool left standing empty is also exposed to potential severe wind damage. Such damage would not be covered by this warranty.

**Warranty claims resulting from failure to stop leaking from the skimmer gasket or return gasket are not covered under this warranty.**

The wall and frame components of this pool can be severely damaged by ice formed in the pool which is not supported by a stable water level. Small punctures or cuts in the pool liner can lower the water level considerably over a several month period and shift the weight of tons of ice onto the wall and frame components and circumference of the pool liner. It is the purchaser's responsibility to assure that the pool liner does not leak if the pool is to be subjected to subfreezing temperatures. Failure to repair a leak can void this warranty. Damage to the pool from ice shifting or movement is not covered by this limited warranty. Damage resulting from customer's failure to comply with pool chemical manufacturer's instructions is not covered by this warranty.

7. To obtain performance under this warranty, the purchaser should first contact the dealer from whom the product was purchased. The dealer is authorized to correct legitimate factory defects; however, he also is charged with the responsibility of determining beyond a reasonable doubt that the defect was one created by the manufacturer.

It is the intent that all warranted defects of wall and frame pool components be corrected by the dealer.

8. In the event that the purchaser and the dealer cannot reach a satisfactory agreement, the purchaser should contact Lomart's Customer Service Department (shown in Item 1 of this warranty). At that point, Lomart will work directly with the purchaser and/or field sales representative to ascertain the facts and to make a determination as to the factory's position in relation to the product problem.

9. This warranty gives specific legal rights; the purchaser also has implied warranty rights. In the event of a problem with warranty service or performance, the purchaser may go to a small claims court, a state court, or a federal district court.
10. Lomart maintains normal business hours between 8:00 a.m. and 5:00 p.m. Monday through Friday (based on Central Std. Time). Retail establishments selling Lomart products are authorized by the factory to correct factory defects during their normal working hours.
11. The intent of this warranty is to correct a factory defect as expeditiously as possible. Most dealers attempt to maintain a parts inventory from which to take immediate corrective action if necessary. In the event the dealer does not have a specific part, the factory will make every effort to ship the part or parts by common carrier within five working days or less after receiving the order. (Due to the seasonal nature of this business, Acts of God, strikes, or other uncontrollable problems, the shipping date could be delayed.)
12. As stated before, this warranty covers the wall and frame components only. The liner carries a separate warranty. Retain sales slip and/or proof of purchase.

Lomart Industries expressly reserves the right to change or modify the design and construction of any product in due course of our manufacturing procedures, without incurring any obligation or liability to furnish or install such changes or modifications of products previously or subsequently sold.

Terms of sale of our warranty exclude liability for willful carelessness.

Date Purchased \_\_\_\_\_ Price \$ \_\_\_\_\_

Date Installed \_\_\_\_\_ Pool Model No. \_\_\_\_\_

Liner Model No. \_\_\_\_\_ Replacement? \_\_\_\_\_

Store Name & Address: \_\_\_\_\_

Lomart Customer Service  
315 No. Sebastian St.  
West Helena, AR 72390  
(870) 572-3466

**RETAIN THIS WARRANTY**



**20 YEAR**



**STRONGMAN  
LIFETIME LINER SEAM  
WARRANTY**

**IMPORTANT! Misuse of your pool may result in crippling injury and/or other dangers to life and health. Do not Dive or Jump! Do not use slides, diving boards, or any other platform or object which can be used for improper pool entry! Use only an above-ground swimming pool ladder to enter or exit your pool. It is your responsibility to secure your pool against unauthorized, unsupervised or unintentional entry. Always obey all safety rules. Remember, pool safety is everybody's responsibility.**

**ORIGINAL EQUIPMENT LINER  
TERMS & CONDITIONS**

To validate this limited warranty, fill out the required information on the reverse side of this warranty card and **retain this card** with sales slip and/or proof of purchase.

- Lomart Industries is the warrantor of this product.  
Mailing Address: Lomart Industries  
315 No. Sebastian St.  
West Helena, AR 72390  
(870) 572-3466
- This warranty is extended to the original purchaser (consumer) only.
- This warranty covers a Lomart portable swimming pool liner only. Wall and frame components of the pool have a separate warranty.
- Lomart prorates their liner in two separate areas: first, those defects which are caused by an **open seam** (a location where two materials should be joined together but are not) and secondly, **any other defects** in a liner that are confirmed by a dealer representative and/or Lomart. The prorated amount is based from date of purchase and if reported to dealer or Lomart, the liner will be replaced or repaired using this proration rate. If a determination of defect cannot be made by the local dealer (purchaser may be required to bring the liner to the dealer's store for inspection) the purchaser must (after receiving prior authorization from Lomart's Customer Service Department) at his expense, carefully clean, package, and send the liner to Lomart. If, at the sole discretion of Lomart Industries, there is a manufacturing defect, the liner will be replaced or repaired at Lomart's option, and the applicable freight will be reimbursed in the first year only.
- LIFETIME LINER SEAM WARRANTY. This Lifetime warranty covers the seams of the liner against any and all manufacturing defects for the life of the liner.**

**Other Liner Defects Proration schedule.** This Lomart warranty prorates the liner cost over a twenty (20) year period. For the next seventeen (17) years, a liner found to be defective will be replaced at a prorated cost equal to the following percentages of the then existing manufacturer's suggested retail liner prices.\*\*

The percentages below are paid by the consumer and apply at the beginning of the year listed:

|                       |     |                     |     |
|-----------------------|-----|---------------------|-----|
| First thru Third Year | 0%  | Eleventh Year thru  |     |
| Fourth Year           | 55% | Fifteenth Year      | 70% |
| Fifth Year            | 60% | Sixteenth Year thru |     |
| Sixth thru Tenth Year | 65% | Twentieth Year      | 75% |

Freight Collect. Cashiers check or money order required prior to shipment from Lomart.

\*\*Retailers will from time to time offer liners for sale at prices less than the manufacturer's suggested retail price; therefore, the purchaser should check with their local Lomart dealer to assure the lowest possible replacement cost.

- If a suspected factory defect is encountered, the purchaser must be willing to return this liner to the dealer location for inspection and must bear the expense involved in this requirement. If (as stated in Item 4) the dealer cannot determine whether the problem is, in fact, a factory defect, then the purchaser must bear the expense of cleaning, packaging, and shipping the liner to Lomart's plant for inspection and determination.
- No incidental, consequential, or other damages will be paid. Failure of the purchaser to allow the dealer and/or manufacturer to inspect the product claimed defective (at dealer's and/or manufacturer's business location), shall render the warranties made hereunder null and void.

**Lomart is not responsible for any cost of re-installation including but not limited to, labor, water replacement or chemical loss due to any manufacturing defect.**

The liner can be damaged, torn, or punctured due to improper handling. In such case the manufacturer is not responsible, and the purchaser is urged to carefully observe and follow cautions in the installation manual in order to avoid inadvertent liner damage. Should the liner incur minor damage, the purchaser may repair it with the repair kit provided with the liner. When the liner is placed into position, visually inspect the seams and general vinyl area to assure that the liner is free of defect. Discovery of a defect before water has been added will be to the purchaser's advantage. Lomart cannot be responsible for damage to the liner caused by the purchaser or the installer.

**This warranty is null and void if the design of this product is altered in any way. (Thus, the product must be assembled according to the factory directions and no changes made in any of the parts.)**

All commitments by dealer and manufacturer shall be declared null and void if the purchaser fails to comply with instructions pertaining to care, and maintenance as outlined in detail in the Lomart "Safety First Pool Use Handbook", as well as full compliance with all safety instructions, including the placement of all signs and decals included with the product. Lomart Industries is in no way affiliated with any professional pool installer. Therefore, Lomart can assume no responsibility for errors in installation by the homeowner or said professional installer. If you have the pool installed by others, please supervise to be sure they comply with proper installation techniques as shown.

**(Continued on back)**

Lomart is not involved in or responsible for pool installations. UNDER NO CONDITIONS WILL LOMART BE RESPONSIBLE FOR THE COST OF LABOR AND/OR WATER OR CHEMICAL LOSS OR ANY DAMAGES THAT MAY OCCUR THEREFROM. Customer must be satisfied with completed installation, whether professionally or self-installed, before proceeding with additional landscaping.

If customer decides to drain water from the pool for any reason, customer must leave at least one foot (12") of water, measured from ground level up the metal side wall, in the pool. Failure to comply with these warnings may void this warranty.

**Warranty claims resulting from failure to stop leaking from the skimmer gasket or return fitting gasket are not covered under this warranty.**

This factory warranty does not cover: ice damage to the liner; damage to the liner from plant or animal; damage resulting from customer's failure to comply with pool chemical manufacturer's instructions; puncturing or trimming the liner for any reason (this includes incorrect cutting of the liner for "through-wall skimming", filtering or main drain) damage to the liner from failure of the pool supporting system (other than what is covered by Lomart wall and frame components warranty); damage or destruction to life or property that is directly or indirectly incurred through the use or existence of this product. Failure to repair a leak may void this warranty.

**This warranty does not cover normal fading of color, or microbiological staining. All colored vinyl products subjected to direct rays of the sun, may fade in time. Such fading, or microbiological staining, does not qualify as a material defect. Staining or fading does not affect the ability of the vinyl to perform its intended function.**

**Irregularities in printing, fading, surface staining, notable changes to or fading of decorative print, improper cleaning and border alignment are not covered by warranty. Damage resulting from automatic and manual pool cleaning devices is not covered by warranty. Dry rot, discoloration, bacteria and fungus stains are not warranty issues and are not covered by warranty.**

- To obtain performance under this warranty, the purchaser should first contact the dealer from whom the product was purchased. The dealer is authorized to correct legitimate factory defects; however, he also is charged with the responsibility of determining beyond a reasonable doubt that the defect was one created by the manufacturer. It is

the intent that all warranted defects be corrected by the dealer.

- In the event that the purchaser and the dealer cannot reach a satisfactory agreement, the purchaser should contact Lomart's Customer Service Department (shown in Item 1 of this warranty). At that point, Lomart will work directly with the purchaser and/or field sales representative to ascertain the facts and to make a determination as to the factory's position in relation to the product problem.
- This warranty gives specific legal rights; the purchaser also has implied warranty rights. In the event of a problem with warranty service or performance, the purchaser may go to a small claims court, a state court, or a federal district court.
- Lomart maintains normal business hours between 8:00 a.m. and 5:00 p.m. Monday through Friday (based on Central Std. Time). Retail establishments selling Lomart products are authorized by the factory to correct factory defects during their normal working hours.
- The intent of this warranty is to correct a factory defect as expeditiously as possible. Most dealers attempt to maintain a parts inventory from which to take immediate corrective action if necessary. In the event the dealer does not have a specific part, the factory will make every effort to ship the part or parts by common carrier within five working days or less after receiving the order. (Due to the seasonal nature of this business, Acts of God, strikes, or other uncontrollable problems, the shipping date could be delayed.)
- As stated before, this warranty covers the portable pool liner only. The wall and frame components of the pool carry a separate warranty. Record warranty registration information below. Retain this warranty with sales slip and/or proof of purchase.

Lomart Industries expressly reserves the right to change or modify the design and construction of any product in due course of our manufacturing procedures, without incurring any obligation or liability to furnish or install such changes or modifications of products previously or subsequently sold.

Terms of sale of our warranty exclude liability for willful carelessness.

Date Purchased \_\_\_\_\_ Price \$ \_\_\_\_\_  
 Date Installed \_\_\_\_\_ Pool Model No. \_\_\_\_\_  
 Liner Model No. \_\_\_\_\_ Replacement? \_\_\_\_\_  
 Store Name & Address: \_\_\_\_\_



Lomart Industries  
 315 No. Sebastian St.  
 West Helena, AR 72390

**RETAIN THIS WARRANTY**



Premium Variable Depth Liners  
Premium Snap-Fast Liners

**25 YEAR**



## **STRONGMAN LIFETIME LINER SEAM WARRANTY**

**IMPORTANT! Misuse of your pool may result in crippling injury and/or other dangers to life and health. Do not Dive or Jump! Do not use slides, diving boards, or any other platform or object which can be used for improper pool entry! Use only an above-ground swimming pool ladder to enter or exit your pool. It is your responsibility to secure your pool against unauthorized, unsupervised or unintentional entry. Always obey all safety rules. Remember, pool safety is everybody's responsibility.**

### **ORIGINAL EQUIPMENT LINER TERMS & CONDITIONS**

To validate this limited warranty, fill out the required information on the reverse side of this warranty card and **retain this card** with sales slip and/or proof of purchase.

1. Lomart Industries is the warrantor of this product.  
Mailing Address: Lomart Industries  
315 No. Sebastian St.  
West Helena, AR 72390  
(870) 572-3466
2. This warranty is extended to the original purchaser (consumer) only.
3. This warranty covers a Lomart portable swimming pool liner only. Wall and frame components of the pool have a separate warranty.
4. Lomart prorates their liner in two separate areas: first, those defects which are caused by an **open seam** (a location where two materials should be joined together but are not) and secondly, **any other defects** in a liner that are confirmed by a dealer representative and/or Lomart. The prorated amount is based from date of purchase and if reported to dealer or Lomart, the liner will be replaced or repaired using this proration rate. If a determination of defect cannot be made by the local dealer (purchaser may be required to bring the liner to the dealer's store for inspection) the purchaser must (after receiving prior authorization from Lomart's Customer Service Department) at his expense, carefully clean, package, and send the liner to Lomart. If, at the sole discretion of Lomart Industries, there is a manufacturing defect, the liner will be replaced or repaired at Lomart's option, and the applicable freight will be reimbursed in the first year only.
5. **LIFETIME LINER SEAM WARRANTY. This Lifetime warranty covers the seams of the liner against any and all manufacturing defects for the life of the liner.**

**Other Liner Defects Proration schedule.** This Lomart warranty prorates the liner cost over a twenty-five (25) year period. For the next twenty-two (22) years, a liner found to be defective will be replaced at a prorated cost equal to the following percentages of the then existing manufacturer's suggested retail liner prices.\*\*

The percentages below are paid by the consumer and apply at the beginning of the year listed:

|                       |     |                     |     |
|-----------------------|-----|---------------------|-----|
| First thru Third Year | 0%  | Eleventh Year thru  |     |
| Fourth Year           | 55% | Fifteenth Year      | 70% |
| Fifth Year            | 60% | Sixteenth Year thru |     |
| Sixth thru Tenth Year | 65% | Twenty-fifth Year   | 75% |

Freight Collect. Cashiers check or money order required prior to shipment from Lomart.

\*\*Retailers will from time to time offer liners for sale at prices less than the manufacturer's suggested retail price; therefore, the purchaser should check with their local Lomart dealer to assure the lowest possible replacement cost.

6. If a suspected factory defect is encountered, the purchaser must be willing to return this liner to the dealer location for inspection and must bear the expense involved in this requirement. If (as stated in Item 4) the dealer cannot determine whether the problem is, in fact, a factory defect, then the purchaser must bear the expense of cleaning, packaging, and shipping the liner to Lomart's plant for inspection and determination.
7. No incidental, consequential, or other damages will be paid. Failure of the purchaser to allow the dealer and/or manufacturer to inspect the product claimed defective (at dealer's and/or manufacturer's business location), shall render the warranties made hereunder null and void.

**Lomart is not responsible for any cost of re-installation including but not limited to, labor, water replacement or chemical loss due to any manufacturing defect.**

The liner can be damaged, torn, or punctured due to improper handling. In such case the manufacturer is not responsible, and the purchaser is urged to carefully observe and follow cautions in the installation manual in order to avoid inadvertent liner damage. Should the liner incur minor damage, the purchaser may repair it with the repair kit provided with the liner. When the liner is placed into position, visually inspect the seams and general vinyl area to assure that the liner is free of defect. Discovery of a defect before water has been added will be to the purchaser's advantage. Lomart cannot be responsible for damage to the liner caused by the purchaser or the installer.

**This warranty is null and void if the design of this product is altered in any way. (Thus, the product must be assembled according to the factory directions and no changes made in any of the parts.)**

All commitments by dealer and manufacturer shall be declared null and void if the purchaser fails to comply with instructions pertaining to care, and maintenance as outlined in detail in the Lomart "Safety First Pool Use Handbook", as well as full compliance with all safety instructions, including the placement of all signs and decals included with the product.

Lomart Industries is in no way affiliated with any professional pool installer. Therefore, Lomart can assume no responsibility for errors in installation by the homeowner or said professional installer. If you have the pool installed by others, please supervise to be sure they comply with proper installation techniques as shown.

**(Continued on back)**

565-1249

Lomart is not involved in or responsible for pool installations. UNDER NO CONDITIONS WILL LOMART BE RESPONSIBLE FOR THE COST OF LABOR AND/OR WATER OR CHEMICAL LOSS OR ANY DAMAGES THAT MAY OCCUR THEREFROM. Customer must be satisfied with completed installation, whether professionally or self-installed, before proceeding with additional landscaping.

If customer decides to drain water from the pool for any reason, customer must leave at least one foot (12") of water, measured from ground level up the metal side wall, in the pool. Failure to comply with these warnings may void this warranty.

**Warranty claims resulting from failure to stop leaking from the skimmer gasket or return fitting gasket are not covered under this warranty.**

This factory warranty does not cover: ice damage to the liner; damage to the liner from plant or animal; damage resulting from customer's failure to comply with pool chemical manufacturer's instructions; puncturing or trimming the liner for any reason (this includes incorrect cutting of the liner for "through-wall skimming", filtering or main drain) damage to the liner from failure of the pool supporting system (other than what is covered by Lomart wall and frame components warranty); damage or destruction to life or property that is directly or indirectly incurred through the use or existence of this product. Failure to repair a leak may void this warranty.

**This warranty does not cover normal fading of color, or microbiological staining. All colored vinyl products subjected to direct rays of the sun, may fade in time. Such fading, or microdiological staining, does not qualify as a material defect. Staining or fading does not affect the ability of the vinyl to perform its intended function.**

**Irregularities in printing, fading, surface staining, notable changes to or fading of decorative print, improper cleaning and border alignment are not covered by warranty. Damage resulting from automatic and manual pool cleaning devices is not covered by warranty. Dry rot, discoloration, bacteria and fungus stains are not warranty issues and are not covered by warranty.**

- To obtain performance under this warranty, the purchaser should first contact the dealer from whom the product was purchased. The dealer is authorized to correct legitimate factory defects; however, he also is charged with the responsibility of determining beyond a reasonable doubt that the defect was one created by the manufacturer. It is

the intent that all warranted defects be corrected by the dealer.

- In the event that the purchaser and the dealer cannot reach a satisfactory agreement, the purchaser should contact Lomart's Customer Service Department (shown in Item 1 of this warranty). At that point, Lomart will work directly with the purchaser and/or field sales representative to ascertain the facts and to make a determination as to the factory's position in relation to the product problem.
- This warranty gives specific legal rights; the purchaser also has implied warranty rights. In the event of a problem with warranty service or performance, the purchaser may go to a small claims court, a state court, or a federal district court.
- Lomart maintains normal business hours between 8:00 a.m. and 5:00 p.m. Monday through Friday (based on Central Std. Time). Retail establishments selling Lomart products are authorized by the factory to correct factory defects during their normal working hours.
- The intent of this warranty is to correct a factory defect as expeditiously as possible. Most dealers attempt to maintain a parts inventory from which to take immediate corrective action if necessary. In the event the dealer does not have a specific part, the factory will make every effort to ship the part or parts by common carrier within five working days or less after receiving the order. (Due to the seasonal nature of this business, Acts of God, strikes, or other uncontrollable problems, the shipping date could be delayed.)
- As stated before, this warranty covers the portable pool liner only. The wall and frame components of the pool carry a separate warranty. Record warranty registration information below. Retain this warranty with sales slip and/or proof of purchase.

Lomart Industries expressly reserves the right to change or modify the design and construction of any product in due course of our manufacturing procedures, without incurring any obligation or liability to furnish or install such changes or modifications of products previously or subsequently sold.

Terms of sale of our warranty exclude liability for willful carelessness.

Date Purchased \_\_\_\_\_ Price \$ \_\_\_\_\_

Date Installed \_\_\_\_\_ Pool Model No. \_\_\_\_\_

Liner Model No. \_\_\_\_\_ Replacement? \_\_\_\_\_

Store Name & Address:



Lomart Industries  
315 No. Sebastian St.  
West Helena, AR 72390

**RETAIN THIS WARRANTY**



# Enhanced Liner Warranty

---

**Dealer Information Package**

Lomart Industries offers the **Enhanced Liner Warranty Program** to your customers that purchase Lomart pools or liners. This warranty is an optional item that is separate from the Limited Prorated Liner Warranty supplied with the product.

The **Enhanced Liner Warranty** is a purchased item by the consumer and is offered in two coverage's:

### **BRONZE THREE YEAR / 800**

This warranty covers the combined costs of labor, water and chemicals to replace a confirmed factory defective liner for up to, but no more than, \$800 per occurrence for the three (3) year period from the date of the warranty.

The cost to the consumer is \$89.95 of which \$20.00 is retained by the dealer to cover costs related to selling and servicing the warranty. The remaining \$69.95 is to be sent to Lomart along with a copy of the completed **Enhanced Liner Warranty**.

### **GOLD THREE YEAR / 1200**

This warranty covers the combined costs of labor, water and chemicals to replace a confirmed factory defective liner for up to, but no more than, \$1200 per occurrence for the three (3) year period from the date of the warranty.

The cost to the consumer is \$129.95 of which \$25.00 is retained by the dealer to cover costs related to selling and servicing the warranty. The remaining \$104.95 is to be sent to Lomart along with a copy of the completed **Enhanced Liner Warranty**.

This **Enhanced Liner Warranty** is an extra added value for the consumer and the dealer as well when, in effect, it offers no hassle credit back to the dealer for costs of labor, water and chemicals incurred by the consumer for a confirmed factory defective liner under the terms of the warranty they purchased.

## **LOMART ENHANCED LINER WARRANTY**

When purchased from your authorized Lomart dealer, this new optional warranty protects your investment beyond the warranty supplied with your new liner.

The standard manufactures limited prorated warranty covers your liner against manufacturing defects for the first three years with a no charge replacement of the liner only, and is then prorated over the rest of the warranty term.

While this warranty is probably the best in the industry, there is no provision for costs involved for labor to reinstall the liner, water to fill the pool, or chemicals to balance the water.

The Enhanced Liner Warranty provides protection from these extraneous costs for only pennies a day and is available in two different coverage limits, each with a term of three (3) years.

Your authorized Lomart dealer has all the details and will be happy to assist you in deciding the right coverage for your investment.

## **ENHANCED LINER WARRANTY PROCEDURES FOR DEALERS**

1. Explain to customer that the Limited Prorated Liner Warranty supplied with the product covers the liner only and does not cover any costs incurred such as labor, water and chemicals due to a manufacturing defect.
2. Explain to customer that an optional **Enhanced Liner Warranty** may be purchased and is available in two coverage amounts to cover costs for labor, water and chemicals to replace a factory determined manufacturing liner defect.
  - (a) **Bronze Three Year / 800**  
Cost the consumer \$89.95 for three years of coverage up to \$800.00 per occurrence.
  - (b) **Gold Plus Three Year / 1200**  
Cost the consumer \$129.95 for three years of coverage up to \$1200.00 per occurrence.
3. Once consumer agrees to purchase a warranty, then all the necessary data must be completed on the **Enhanced Liner Warranty** form (printed or typed).
4. The customer's method of payment for the warranty is strictly up to the dealer, i.e. checks made out to dealer, credit card or financing.
5. The purchase date of the pool or liner is the effective date of the Enhanced Liner Warranty. In cases where the pool or liner will not be installed until a later date the dealer will still put the date of purchase as the effective date and can notify Lomart of the date change when the pool has been installed. Lomart will then adjust their copy of the consumer's warranty to reflect a full three-year (3) warranty.

**A COPY OF THE CUSTOMER'S SALES RECEIPT MUST ACCOMPANY THE ENHANCED LINER WARRANTY SUBMITTED TO LOMART WITHIN 30 DAYS OR THE ENHANCED LINER WARRANTY WILL BE RETURNED TO THE DEALER.**

**PLEASE MAIL ALL INFORMATION TO:**

**H.I.I.**

**ATTN: CUSTOMER SERVICE**

**PO BOX 2457**

**WEST HELENA, AR 72390**

6. Lomart will enter all information off of each warranty into a computer and maintain the files throughout the three-year (3) warranty period.

## **PROCEDURE FOR EXERCISING THE ENHANCED LINER WARRANTY**

### **DEALER**

1. Confirm a manufacturing liner defect (if not able to confirm, then submit to Customer Service for determination).
2. Submit the following information:
  - a. Liner logo and defective area;
  - b. Copy of sales receipt showing proof of purchase;
  - c. Photocopy of customer's Enhanced Liner Warranty;
  - d. Completed Warranty Service Order (WSO);
  - e. Receipts for labor, water and chemicals (not to exceed the limit of the warranty)\*

**\*NOTE: All receipts for costs to replace a manufacturing liner defect must bear the following:**

1. **Company name, address, telephone number.**
2. **Customer name, address and telephone number.**
3. **Description of costs.**
4. **Date work performed.**
5. **Signature of customer.**

### **H.I.I.**

1. Will review all submitted paperwork, examine and confirm the manufacturing defect, and confirm that the Enhanced Liner Warranty is in effect.
2. Upon confirmation of the above items, Hoffinger Industries, Inc. will issue credit to the dealer for the liner and the covered costs based on the receipts received, up to the limit of the Enhanced Liner Warranty. **Overstated costs will be denied** i.e., (\$800 labor to replace a 16 foot round liner).

## **CONSUMER WARRANTY PROCEDURE**

The consumer procedure for exercising a warranty for a claimed factory defective liner is explained in the Limited Prorated Liner Warranty supplied with the product.

Should a factory defect occur and the Enhanced Liner Warranty has been purchased and is in effect, then the consumer must first contact their dealer for instructions and procedures.

The dealer is authorized to handle warranty claims and bypassing him to deal directly with the factory will only result in lengthy delays.

### **ENHANCED LINER WARRANTY PURCHASE QUALIFICATIONS**

This warranty may be purchased by consumers who are:

- Purchasing a new Lomart liner or pool package with a Lomart liner.
- Receiving a new liner, under the terms of the Limited Liner Warranty at no charge due to a manufacturing defect.
- Receiving a new liner by purchasing it under the prorated terms of the Limited Liner Warranty due to a manufacturing defect.
- Consumers that already have an Enhanced Liner Warranty and their three-year period is about to expire.\*
- Consumers that already have an Enhanced Liner Warranty and their three-year period is about to expire. These consumers can purchase another Enhanced Liner Warranty for the following cost:

#### **BRONZE THREE YEAR / 800**

The cost to the consumer is **\$139.95** of which \$20.00 is retained by the dealer to cover costs related to selling and servicing the warranty. The remaining \$119.95 is to be sent to Lomart along with a copy of the completed **Enhanced Liner Warranty**.

#### **GOLD THREE YEAR / 1200**

The cost to the consumer is **\$179.95** of which \$25.00 is retained by the dealer to cover costs related to selling and servicing the warranty. The remaining \$154.95 is to be sent to Lomart along with a copy of the completed **Enhanced Liner Warranty**.

**After the purchase of the 2<sup>nd</sup> Extended Liner Warranty,  
No additional warranty can be sold.**



## **TIPS FOR SELLING THE ENHANCED LINER WARRANTY**

The Enhanced Liner Warranty is of benefit to the consumer as well as the dealer. When presented to the consumer in the proper ways, the Enhanced Liner Warranty can be used as a selling feature. For the consumer it offers protection from the extraneous cost of liner replacement.

The cost of the Enhanced Liner Warranty will more than likely be the largest obstacle to overcome when presenting the warranty to the consumer. This is the main reason the prices of the warranties are not published in any paperwork the consumer receives. This allows the dealer to develop different methods of discounting the price of the warranty to the consumer.

### **Examples:**

1. Discount the price of the warranty and add the discount or a portion back into the price of the product.
2. Add the price of the warranty or a portion of it to the product and give the warranty to the consumer.
3. Discount the warranty price by the amount the dealer is paid for writing and servicing the warranty.
4. Have your pool installer participate in a portion of the price of the warranty.
5. Utilize a combination of any of the first four examples.

**The Best Warranty Coverage in  
Above-Ground Swimming Pools. . .  
Just Got Better !!  
The Lomart  
*ENHANCED LINER WARRANTY***

Now you can enjoy additional peace of mind with added warranty protection for your investment with Lomart's ***Enhanced Liner Warranty!***

**When purchased from your Authorized Lomart dealer, this new optional warranty protects your investment beyond the warranty supplied with your Lomart liner.**

The standard manufacturer's limited prorated warranty covers your Lomart liner against manufacturing defects for the first three years with a **no charge** replacement of the liner only, and is then prorated over the rest of the warranty term.

While this warranty is probably the best there is in the industry, there is no provision of costs involved to reinstall the liner, water to fill the pool, or chemicals to balance the water.

***The Enhanced Liner Warranty***, however, does provide protection from these extraneous costs, for just pennies a day! There are two different coverage limits to choose from, each offering you "per occurrence" protection for the term of three (3) years, to the original owner.

Basically, it works like this: should your Lomart liner fail due to a confirmed manufacturing defect (such as split or open seams) within a **three year period of purchasing the Enhanced Liner Warranty**, you can relax with the peace of mind that **any labor, water, and chemical cost will be covered, up to either \$800 or \$1,200 per occurrence**, depending on which level of coverage you have, during that three year term. **This is in addition** to the existing warranty you have for Lomart liner!

*Your Authorized Lomart dealer has all the details on this program and will be delighted to assist you in deciding the right coverage for your investment*



## **PREFERRED PLUS WARRANTY**

**5 Year / 100% Limited Warranty on Wall,  
Frame & Liner**

**5 year / 100% Limited Warranty on Filter,  
Pump & Skimmer**

**\*Get additional 2 years on existing 3 year/100% on  
wall, frame and liner**

**\*Get additional 4 year on existing 1 year/100% on  
filter, pump and skimmer**

Preferred Plus Warranty covers: Wall, Frame, Liner, Filter, Pump  
and Skimmer Components against manufacturer defects.  
(the remainder of the warranties are prorated based on their individual warranty length)

Limited Warranty covers the Lomart wall, frame, liner, filter, pump and skimmer  
components only when purchased together as a single package.

Lomart's warranty covers the component costs over the length of your original warranty.  
The metal bottom rails will have a 100% non-prorated Lifetime Warranty.



## PREFERRED PLUS

# MULTI-YEAR ADDITIONAL WARRANTY LIMITED WARRANTY

**IMPORTANT! Misuse of your pool may result in crippling injury and/or other dangers to life and health. Do not Dive or Jump! Do not use slides, diving boards, or any other platform or object which can be used for improper pool entry! Use only an above-ground swimming pool ladder to enter or exit your pool. It is your responsibility to secure your pool against unauthorized, unsupervised or unintentional entry. Always obey all safety rules. Remember, pool safety is everybody's responsibility.**

**The use of any type of Chlorine Salt Generating System on your pool will render your warranty coverage null and void. The use of such systems causes premature rusting and corrosion of all the metal parts that are not a manufacturing defect. Lomart will assume no cost, related to the use of such systems.**

## WALL, FRAME, LINER, FILTER, PUMP AND SKIMMER COMPONENTS TERMS & CONDITIONS

To validate this limited warranty, fill out the required information on the reverse side of this warranty card and **retain this card** with sales slip and/or proof of purchase. In the event you have a warranty claim, you must provide this proof of purchase to the dealer, before warranty can be processed.

1. Lomart is the warrantor of this product.  
Mailing address: Lomart Industries  
315 No. Sebastian St.  
West Helena, AR 72390  
(870) 572-3466
2. This warranty is extended to the original purchaser (consumer) only.
3. This limited warranty covers the Lomart wall, frame, liner, filter, pump and skimmer components up to 5 years when purchased together as a single package.
4. This Lomart warranty covers the component costs over the length of your original warranty. **The metal bottom rails will have a 100 % non-prorated Lifetime Warranty.** If any defect in material or workmanship is confirmed by the dealer and/or Lomart during the additional two years from date of purchase and if reported to the dealer and/or Lomart, the part or parts will be replaced or repaired free of charge. If a determination of defect cannot be made by the local dealer (purchaser may be required to bring the part or parts to the dealer's store for inspection) the purchaser must (after prior authorization

from Lomart's Customer Service Department) at his expense, carefully clean, package, and send the part or parts to Lomart. If, at the sole discretion of Lomart, there is a manufacturing defect, the part(s) will be replaced or repaired at Lomart's option, **and the applicable freight will be reimbursed in the first year only.**

This warranty is to repair or replace free of charge any part(s) found defective for an additional two year period from the date of purchase. \*\*

The percentages below are paid by the consumer and apply at the beginning of the year listed:

| <u>Lomart Wall, Frame &amp; Liner</u> |    | <u>Filter, Pump &amp; Skimmer</u> |    |
|---------------------------------------|----|-----------------------------------|----|
| First Year                            | 0% | First Year                        | 0% |
| Second Year                           | 0% | Second Year                       | 0% |
| Third Year                            | 0% | Third Year                        | 0% |
| Fourth Year                           | 0% | Fourth Year                       | 0% |
| Fifth Year                            | 0% | Fifth Year                        | 0% |

Freight Collect. Cashiers check or money order required prior to shipment from Lomart.

\*\*Retailers will from time to time offer parts for sale at prices less than the manufacturer's suggested retail price; therefore, the purchaser should check with the local Lomart dealer to assure the lowest possible replacement cost.

5. If a suspected factory defect is encountered, the purchaser must be willing to return the part or parts to the dealer location for inspection and must bear the expense involved in this requirement. If (as stated in Item 4) the dealer cannot determine whether the problem is a factory defect, then the purchaser must bear the expense of cleaning, packaging, and shipping the part or parts to Lomart's plant (after receiving prior authorization from Lomart's Customer Service Department) for inspection and determination.
6. No incidental, consequential, or other damages will be paid. Failure of the purchaser to allow the dealer and/or manufacturer to inspect the product claimed defective (at dealer's and/or manufacturer's business location), shall render the warranties made hereunder null and void. Lomart cannot be responsible for damage to the components caused by the purchaser or the installer.

**Lomart is not responsible for any cost of re-installation including but not limited to, labor, water replacement or chemical loss due to any manufacturing defect.**

**This warranty is null and void if the design of this product is altered in any way. (Thus, the product must be assembled according to the factory directions and no changes made in any of the parts.)**

All commitments by dealer and manufacturer shall be declared null and void if the purchaser fails to comply with instructions pertaining to care, and maintenance as outlined in detail in the Lomart "Safety First Pool Use Handbook", as well as full compliance with all safety instructions, including the placement of all signs and decals included with the product.

Lomart is in no way affiliated with any professional pool installer. Therefore, Lomart can assume no responsibility for errors in installation by the homeowner or said professional installer. If you have the pool installed by others, please supervise to be sure they comply with proper installation techniques as shown.

Lomart is not involved in or responsible for pool installations. **UNDER NO CONDITIONS WILL LOMART BE RESPONSIBLE FOR THE COST OF LABOR AND/OR WATER OR CHEMICAL LOSS OR ANY DAMAGES THAT MAY OCCUR THEREFROM.** Customer must be satisfied with completed installation, whether professionally or self-installed, before proceeding with additional landscaping. **(Continued on back)** 565-1275

The liner warranty cautions the purchaser not to empty the pool because of potential damage to the liner. A pool left standing empty is also exposed to potential severe wind damage. Such damage would not be covered by this warranty.

**Warranty claims resulting from failure to stop leaking from the skimmer gasket or return gasket are not covered under this warranty.**

The wall and frame components of this pool can be severely damaged by ice formed in the pool which is not supported by a stable water level. Small punctures or cuts in the pool liner can lower the water level considerably over a several month period and shift the weight of tons of ice onto the wall and frame components and circumference of the pool liner. It is the purchaser's responsibility to assure that the pool liner does not leak if the pool is to be subjected to subfreezing temperatures. Failure to repair a leak can void this warranty. Damage to the pool from ice shifting or movement is not covered by this limited warranty. Damage resulting from customer's failure to comply with pool chemical manufacturer's instructions is not covered by this warranty.

- 7. To obtain performance under this warranty, the purchaser should first contact the dealer from whom the product was purchased. The dealer is authorized to correct legitimate factory defects; however, he also is charged with the responsibility of determining beyond a reasonable doubt that the defect was one created by the manufacturer.

It is the intent that all warranted defects of wall and frame pool components be corrected by the dealer.

- 8. In the event that the purchaser and the dealer cannot reach a satisfactory agreement, the purchaser should contact Lomart's Customer Service Department (shown in Item 1 of this warranty). At that point, Lomart will work directly with the purchaser and/or field sales representative to ascertain the facts and to make a determination as to the factory's position in relation to the product problem.
- 9. This warranty gives specific legal rights; the purchaser also has implied warranty rights. In the event of a problem with warranty service or performance, the purchaser may go to a small claims court, a state court, or a federal district court.

- 10. Lomart maintains normal business hours between 8:00 a.m. and 5:00 p.m. Monday through Friday (based on Central Std Time). Retail establishments selling Lomart products are authorized by the factory to correct factory defects during their normal working hours.
- 11. The intent of this warranty is to correct a factory defect as expeditiously as possible. Most dealers attempt to maintain a parts inventory from which to take immediate corrective action if necessary. In the event the dealer does not have a specific part, the factory will make every effort to ship the part or parts by common carrier within five working days or less after receiving the order. (Due to the seasonal nature of this business, Acts of God, strikes, or other uncontrollable problems, the shipping date could be delayed.
- 12. As stated before, this warranty covers the wall, frame, liner, filter, pump and skimmer components only. Retain sales slip and/or proof of purchase.

Lomart expressly reserves the right to change or modify the design and construction of any product in due course of our manufacturing procedures, without incurring any obligation or liability to furnish or install such changes or modifications on products previously or subsequently sold.

Terms of sale of our warranty exclude liability for willful carelessness.

Date Purchased \_\_\_\_\_ Price \$ \_\_\_\_\_

Date Installed \_\_\_\_\_ Pool Model No. \_\_\_\_\_

Liner Model No. \_\_\_\_\_ Replacement ? \_\_\_\_\_

Store Name & Address:  
 \_\_\_\_\_  
 \_\_\_\_\_

Lomart Industries  
 315 No. Sebastian St.  
 West Helena, AR 72390

**RETAIN THIS WARRANTY**



# Automatic Pool Vacuum Cleaner

## ONE YEAR LIMITED WARRANTY

### TERMS AND CONDITIONS

Retain this warranty along with your sales receipt and/or proof of purchase.

1. Embassy PoolCo is the warrantor of this product.
2. This warranty is extended to the original purchaser (consumer) only.
3. Embassy PoolCo warrants the automatic pool vacuum cleaner and vacuum hose for a period of one (1) year from date of purchase against all defects in materials and workmanship.
4. The vacuum unit (or hose) will be repaired or replaced promptly after your pool dealer determines that there is a defect in materials or workmanship.  
**To exercise this warranty, the consumer must return the vacuum unit (or hose) to the dealer where it was purchased.**
5. **This warranty is null and void if the design of this product is altered in any way. Thus, the product must be assembled according to the factory directions and no changes or modifications may be made to any of the parts.**
6. Damage from chemical misuse or ice damage is not covered under warranty.
7. This warranty gives specific legal rights; the purchaser also has implied warranty rights which may vary from state to state.

Terms of sale of our warranty exclude liability for willful carelessness.

Change of Design: Embassy PoolCo. expressly reserves the right to change or modify the design and construction of any product in due course of our manufacturing procedures, without incurring any obligation or liability to furnish or install such changes or modifications on products previously or subsequently sold.



**Embassy PoolCo**  
315 N. Sebastian St. • West Helena, AR 72390



# Embassy PoolCo

## Automatic Pool Vacuum Cleaner

### TWO YEAR LIMITED WARRANTY

#### TERMS AND CONDITIONS

Retain this warranty along with your sales receipt and/or proof of purchase.

1. Embassy PoolCo is the warrantor of this product.
2. This warranty is extended to the original purchaser (consumer) only.
3. The manufacturer warrants the automatic pool vacuum cleaner (excluding hose) for a period of two (2) years from date of purchase against all defects in materials and workmanship.
4. The vacuum hose is warranted for a period of one (1) year from date of purchase against all defects in materials and workmanship.  
**To exercise this warranty, the consumer must return the vacuum unit (or hose) to the dealer where it was purchased.**
5. The vacuum unit (or hose) will be repaired or replaced promptly after your pool dealer determines that there is a defect in materials or workmanship.
6. **This warranty is null and void if the design of this product is altered in any way. Thus, the product must be assembled according to the factory directions and no changes or modifications may be made to any of the parts.**
7. Damage from chemical misuse or ice damage is not covered under warranty.
8. This warranty gives specific legal rights; the purchaser also has implied warranty rights which may vary from state to state.

Terms of sale of our warranty exclude liability for willful carelessness.

**Important!** Above-ground pools are designed for swimming and wading only. **Do not Dive or Jump!** Misuse of your pool may result in crippling injury and/or other dangers to life and health. Do not use slides, diving boards, or any other platform or object which can be used for improper pool entry. Use only an above-ground swimming pool ladder to enter or exit your pool. It is the pool owner's responsibility to secure the pool against unauthorized, unsupervised or unintentional entry. It is also the pool owner's responsibility to warn all pool users of the hazards of diving into shallow water; paralyzing injury may result. Always obey all safety rules. Remember, pool safety is everybody's responsibility.

**Change of Design:** The manufacturer expressly reserves the right to change or modify the design and construction of any product in due course of their manufacturing procedures, without incurring any obligation to furnish or install such changes or modifications on products previously or subsequently sold.



# Embassy PoolCo

Embassy PoolCo  
315 N. Sebastian St. • West Helena, AR 72390