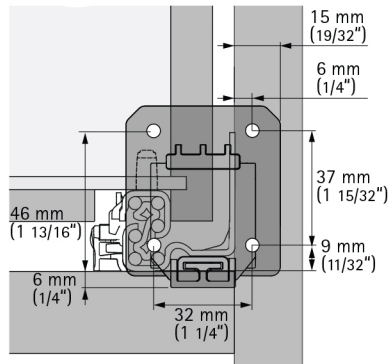


Plastic rear attachment



- ▶ Plastic rear mount bracket with connector
- ▶ Non-handed, two-piece design (pre-assembled)
- ▶ For up to 27 mm (1 1/16") depth adjustment and +/- 12 mm (15/32) side-to-side self-alignment
- ▶ Installation recommended with four # 8 flat head screws per bracket
- ▶ Order 2 per drawer

Item	Order no.	PU
Rear attachment	1 135 181	100