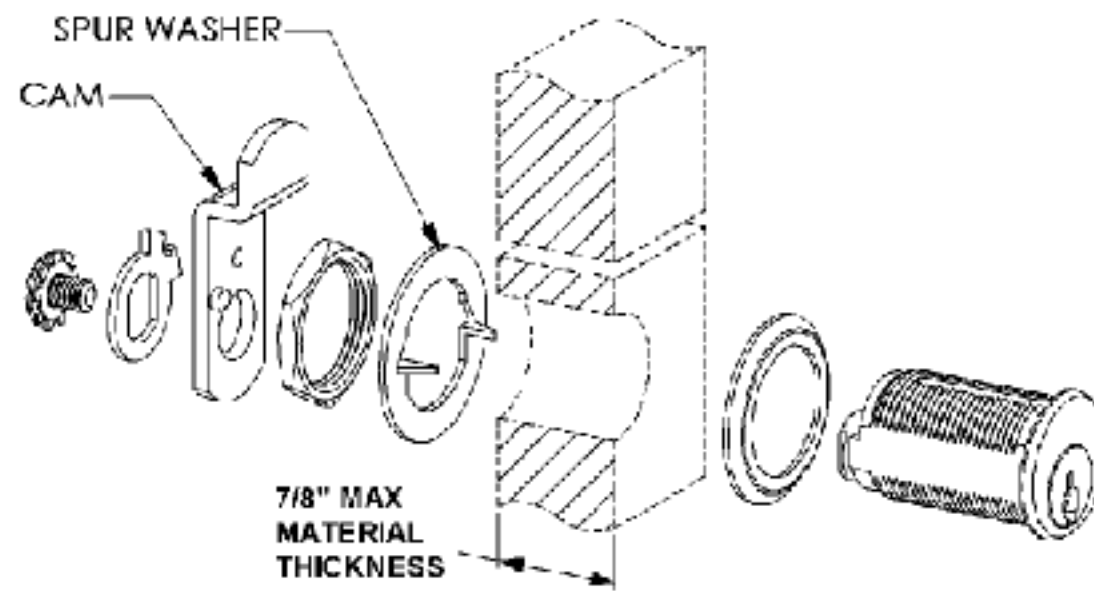


**STOCK
LOCKS**

Manufactured by
**NATIONAL
CABINET LOCK**

C8102 CAM LOCK

- 4 PIN TUMBLER
- 1 1/16" BRASS CYLINDER
- 5/8" CAM OFFSET
- FOR LIPPED APPLICATIONS

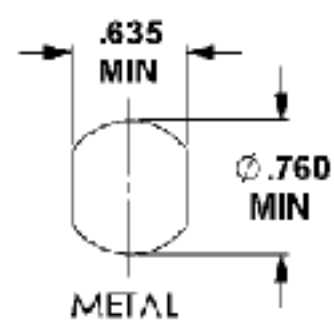


ASSEMBLED WITH
CAM FOR L.H. DOOR
OR CW DRAWER USE
NOTE: CAMS ARE NOT
REVERSIBLE

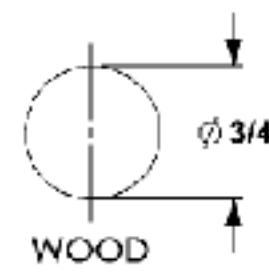


EXTRA CAM FOR
R.H. DOOR OR
CCW DRAWER
USE

CYLINDER MOUNTING HOLES



METAL



WOOD

NOTE: DO NOT USE SPUR WASHER WITH METAL DOOR OR DRAWER