

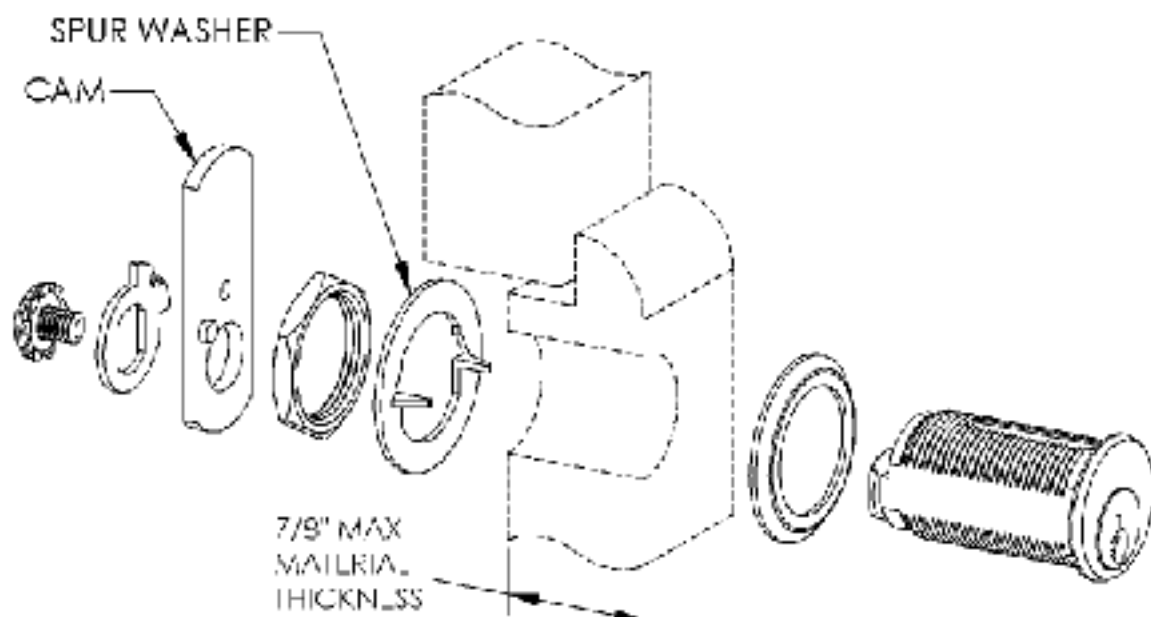
STOCK LOCKS

Manufactured by

NATIONAL 
CABINET LOCK

C8103 CAM LOCK

- 4 PIN TUMBLER
- 1 3/16" BRASS CYLINDER
- FOR LIPPED APPLICATIONS



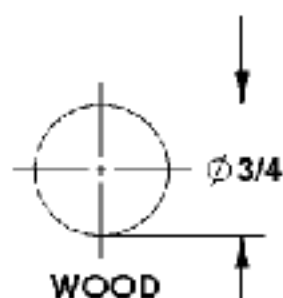
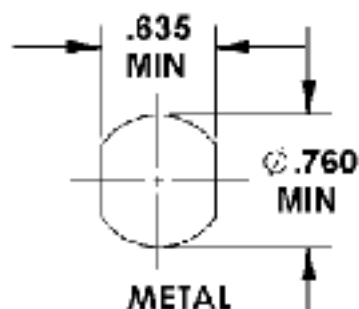
ASSEMBLED WITH
CAM FOR L.H. DOOR
OR CCW DRAWER USE

NOTE: CAMS ARE NOT
REVERSIBLE



EXTRA CAM FOR
R.H. DOOR OR
CW DRAWER
USE

CYLINDER MOUNTING HOLES



NOTE: DO NOT USE SPUR WASHER WITH METAL DOOR OR DRAWER