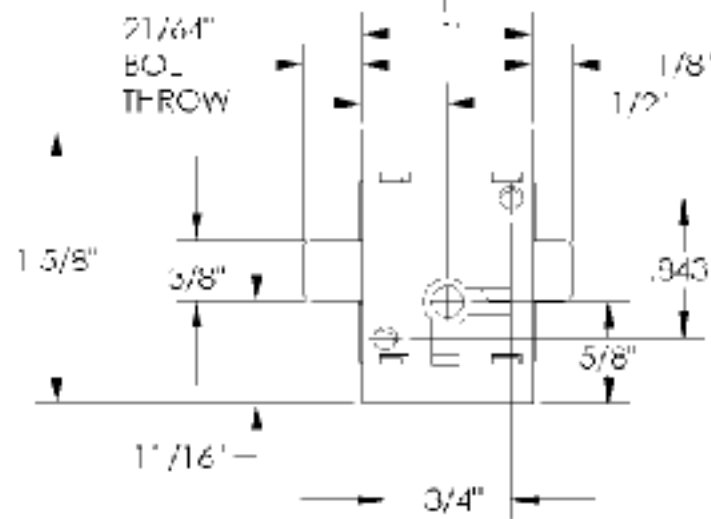
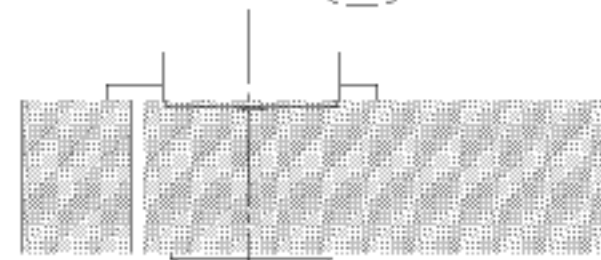
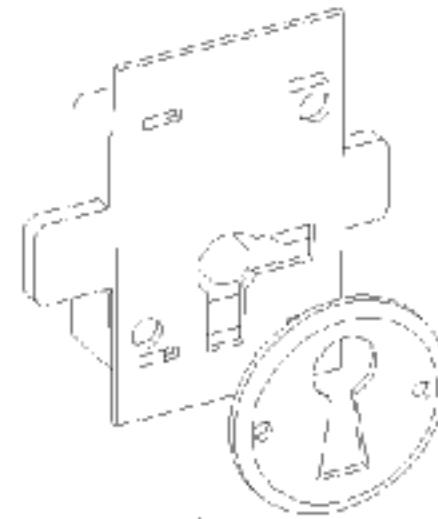


**STOCK
LOCKS**

Manufactured by

**NATIONAL
CABINET LOCK**

C8826 FURNITURE LOCK



PAR. NO.	INSTALLATION	BOLT TYPE	BOLT TRAVEL	CAS-QUANTITY	REFERENCE NUMBER	KEY BANK
C8826-3	DOOR/DRAWER SURFACE MOUNTED	DEAD	2 1/16"	25	ND-0826-001	D8890