

# Sliding Door Latch, Model HC-3051 Installation Instruction

Please read this instruction sheet carefully for proper installation and operation. This instruction sheet should be kept after installation.

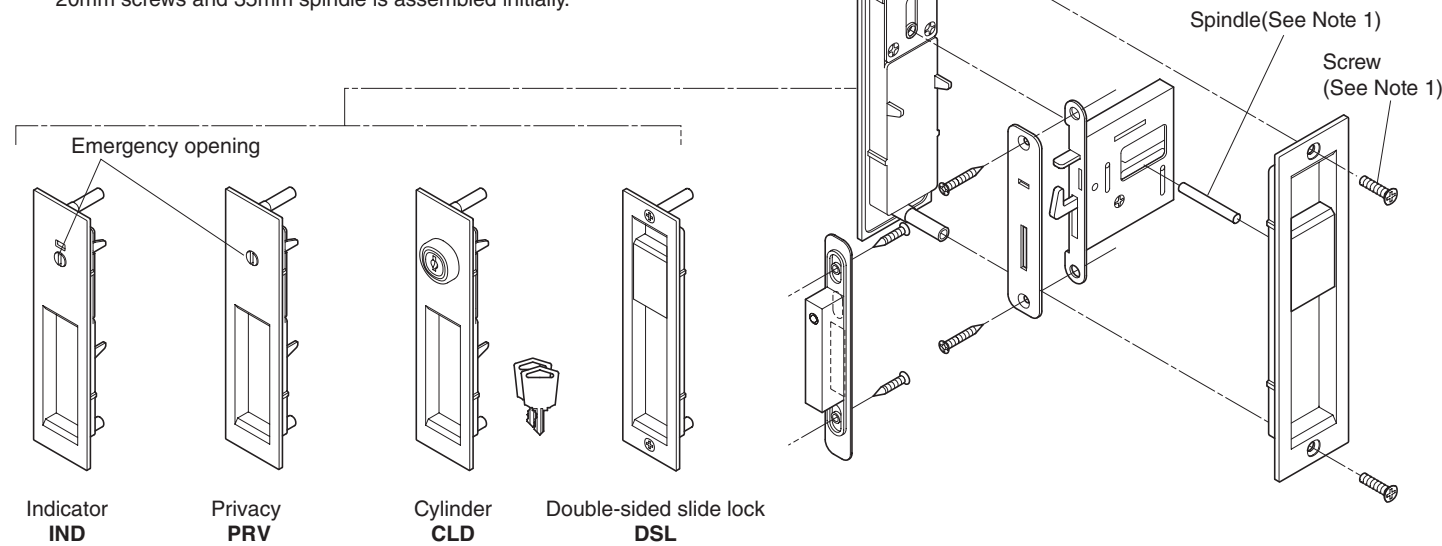
## Parts composition

Check that the package contains items shown below.

■ Note 1

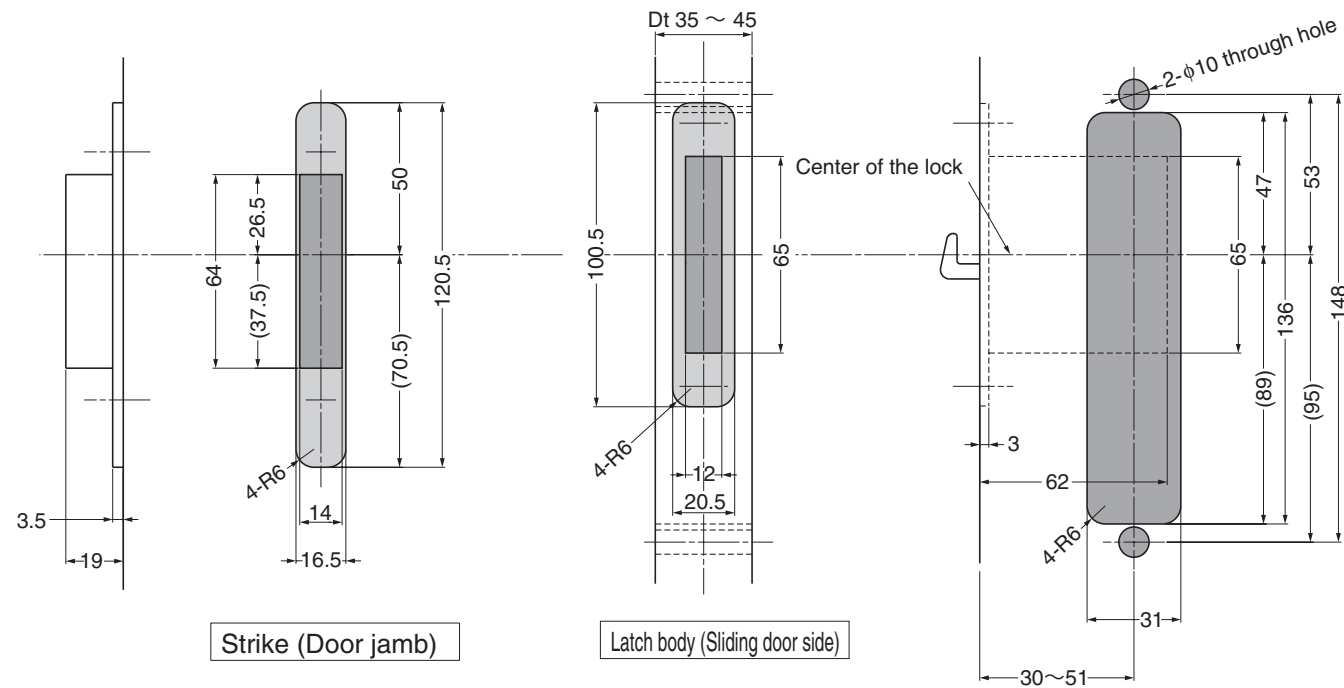
Door thickness(mm)	(35 = 1-3/8")					(45 = 1-3/4")				
	35	36	37	38	39	40	41	42	43	44
Screw length(mm)	20					25				
Spindle length(mm)	35			39			43			

Change the screws and spindle according to the door thickness.  
\* 20mm screws and 35mm spindle is assembled initially.



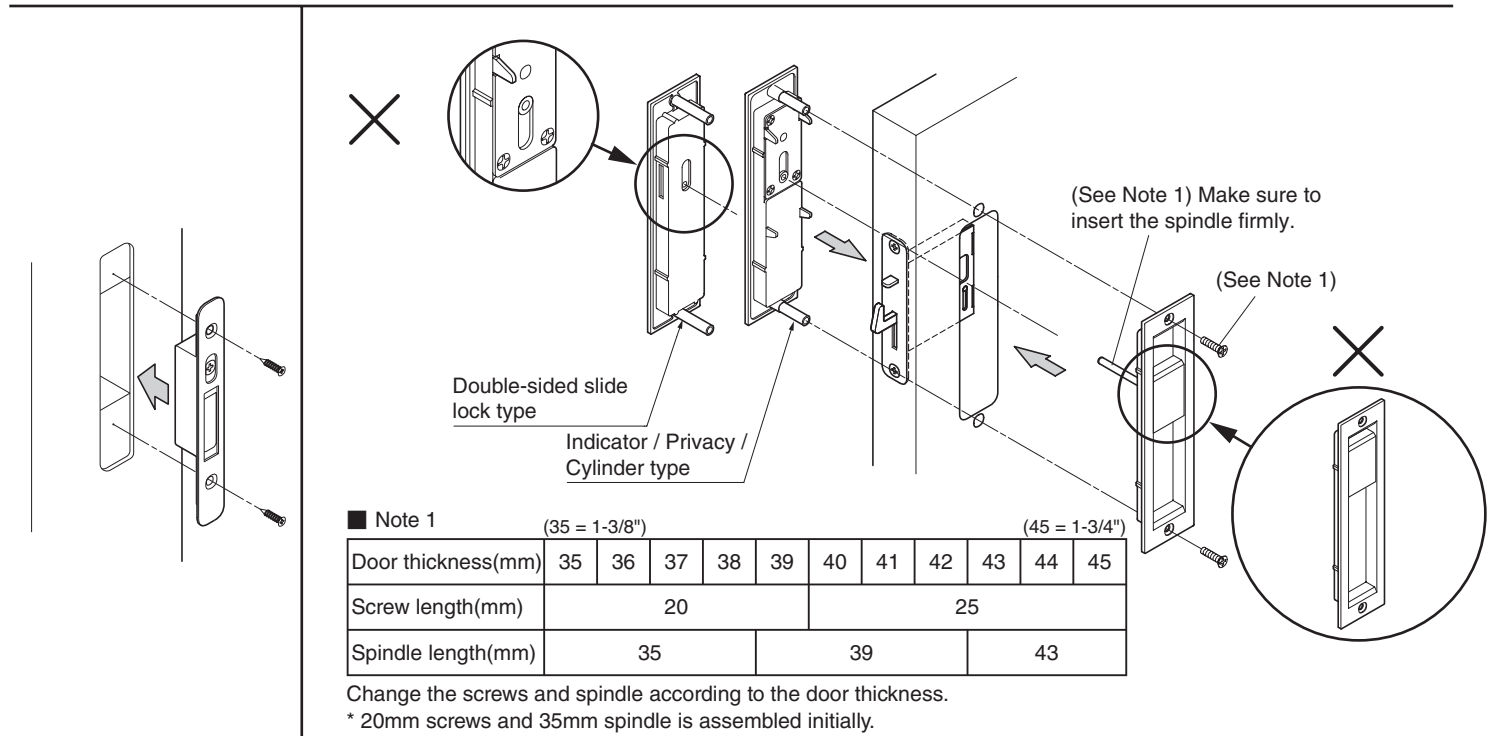
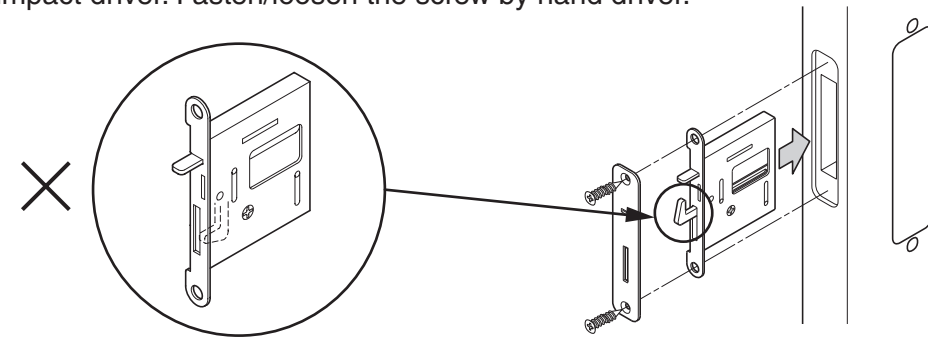
## Door jamb and door preparation

Refer to drawings below for bore dimensions.

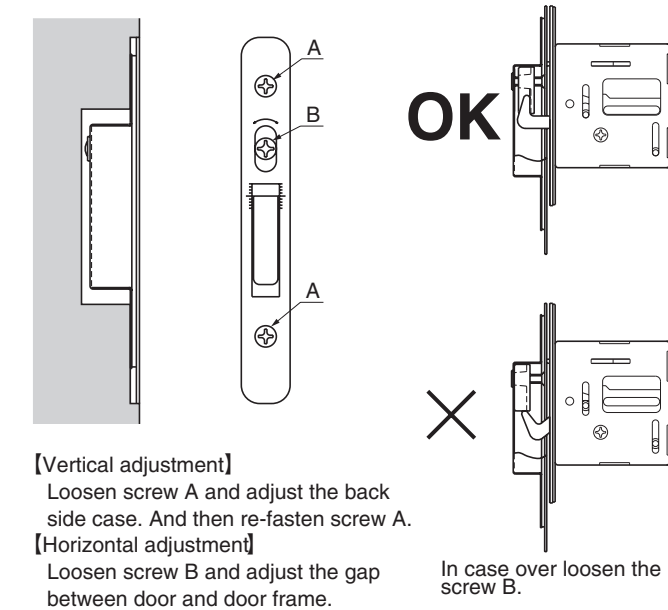


## Installing procedures

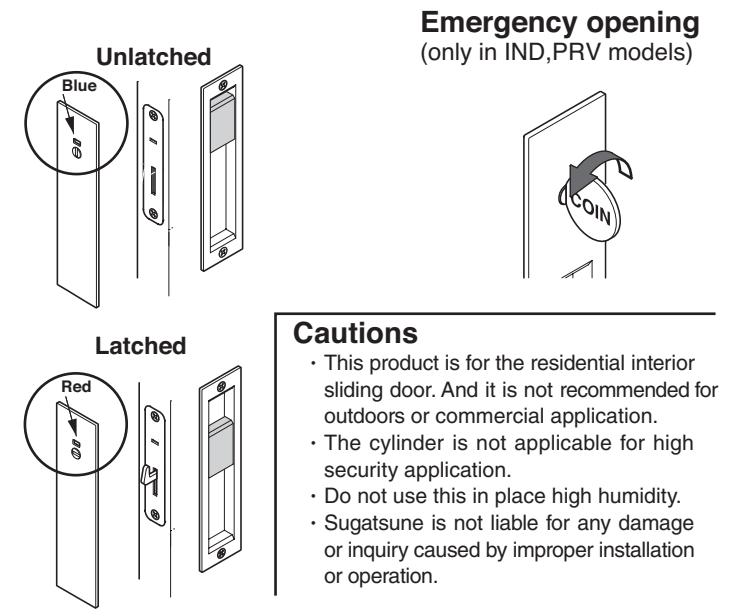
Do not use impact driver. Fasten/loosen the screw by hand driver.



## Adjustment to the strike plate



## Checking the operation of Latch



**SUGATSUNE KOGYO CO.,LTD.**  
Phone: +81 3 3866 2260  
F a x : +81 3 3866 4447  
E-mail: export@sugatsune.co.jp  
Website: www.sugatsune-intl.com

**SUGATSUNE KOGYO (UK) LTD.**  
Phone: +44 118 9272 955  
F a x : +44 118 9272 871  
E-mail: sales@sugatsune.co.uk  
Website: www.sugatsune.co.uk

**SUGATSUNE AMERICA, INC.**  
Phone: +1 310 329 6373  
F a x : +1 310 329 0819  
E-mail: sales@sugatsune.com  
Website: www.sugatsune.com

**SUGATSUNE SHANGHAI CO., LTD.**  
Phone: +86 21 3632 1858  
F a x : +86 21 3632 1868  
E-mail: lamp@sugatsune.com.cn  
Website: www.sugatsune.com.cn

