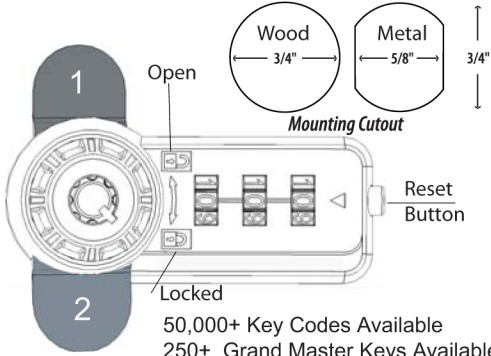


Combi-Cam™

With *High Security Key Over-Ride*

Easy Installation

- Replaces any 3/4" keyed cam lock application.
- Cam can be placed in 180° increments.
- (see below image with 2 cam positions shown
90° increments can be used w/ dual hole cams)



Set Your Own Combination

The combination can be changed in seconds without special tools or disassembly.

- Set dials to opening combination (factory default all 0's)
- Depress reset button and keep down while changing dials to desired combination

Discovering Combinations

#7432- After opening with Master Key combination can be discovered with the code pin from the back of the lock.

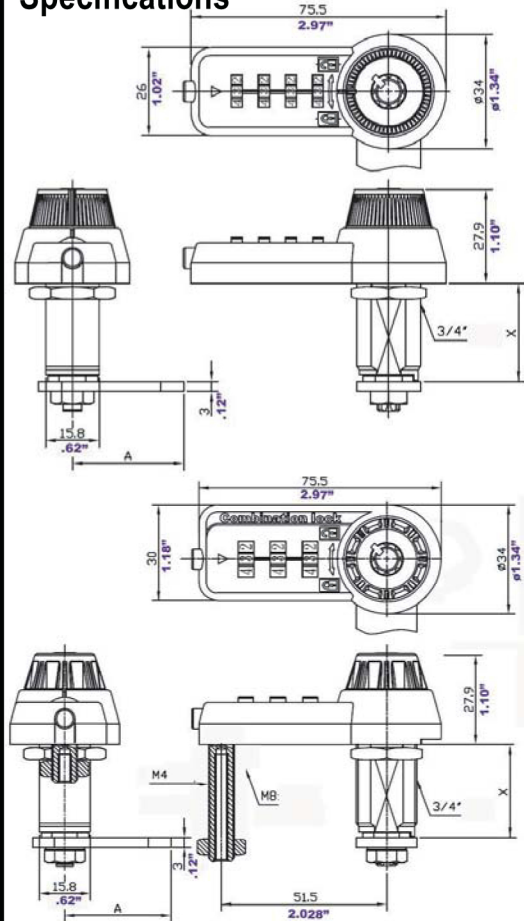
#7440- Using the key in the open mode, turn all dials until they stop.

Accessories Included:

90 degree stop cam, 1-3/8" straight cam, 3/4" cylinder nut and screw and nut washer
Master keys are sold separately



Specifications



A = Cam length

X = Cylinder length (5/8", 7/8" or 1-1/8")

Optional Accessories:

