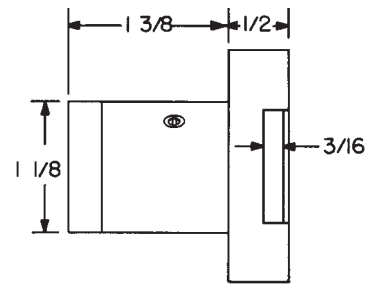
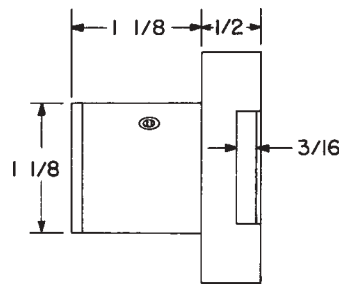
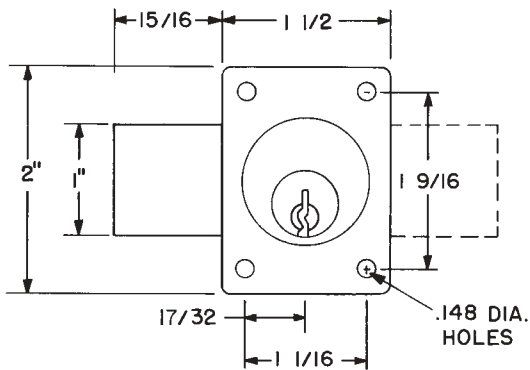
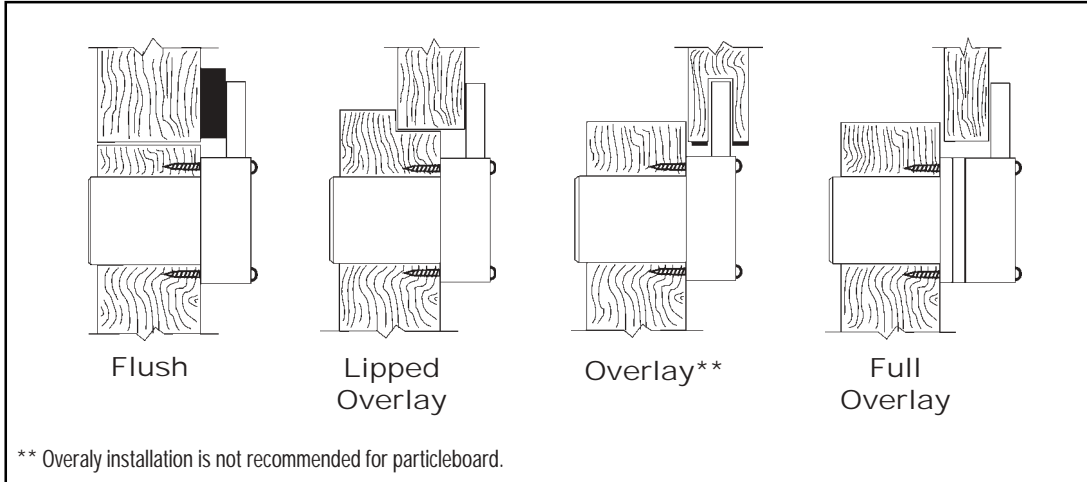


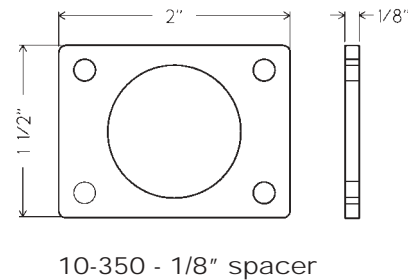
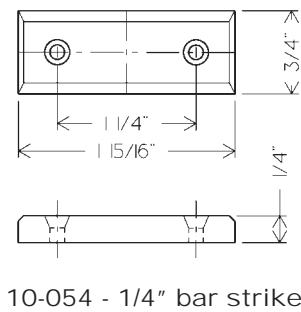
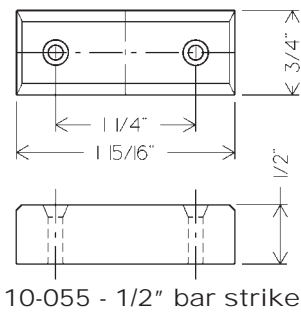
# Installation Instructions

## 700

### Typical Installation



Use of spacers and strikes depends on application and material thickness.



Title Installation instructions for 700 series cabinet door lock				
Series 700	Barrel Length 1-1/8" or 1-3/8"	Bolt type Deadbolt	Mounting Surface	Revision Date 06/2004

