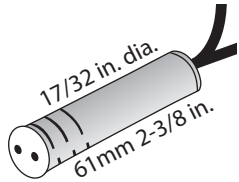
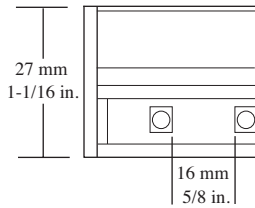


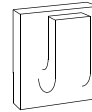
PARTS INCLUDED:



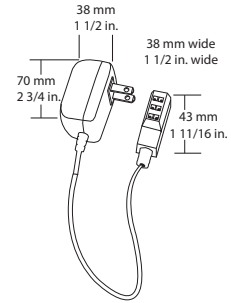
Door Sensor (1)
L-LED-OVLDS-NI-1



23" Elli V Light fixture (1)
L-LED-AGLPR-559WAL-1

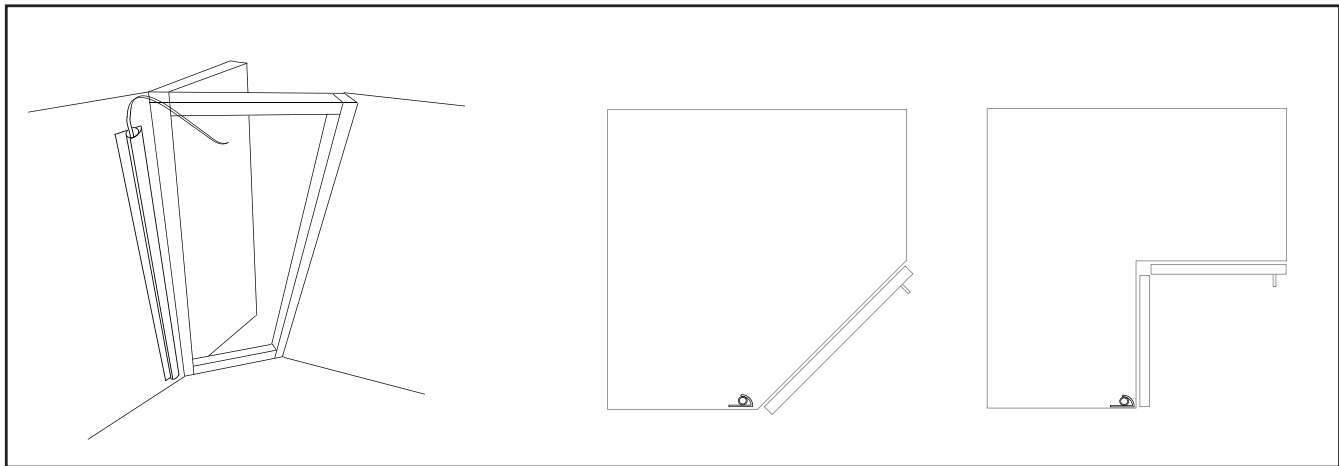


Wire Clips White (4)
L-LED-WCLP-WH-1

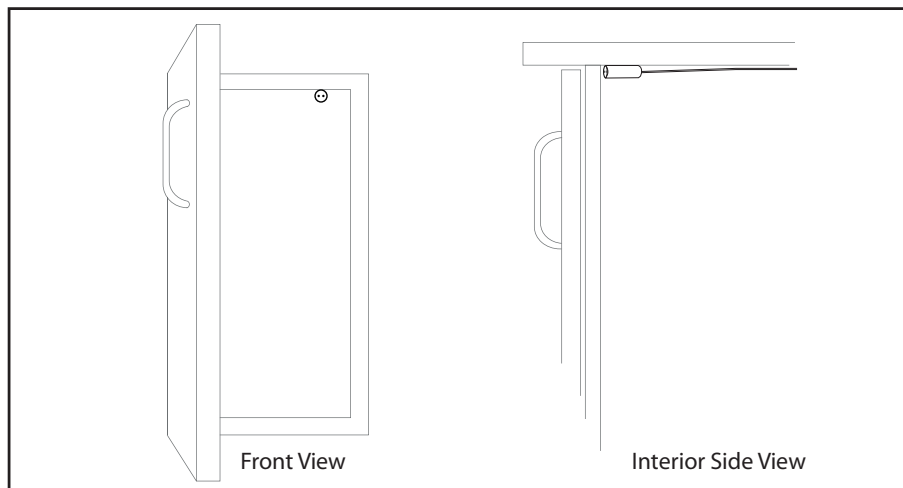


Power Supply (1)
L-DC-ELT-6WP-CON-1

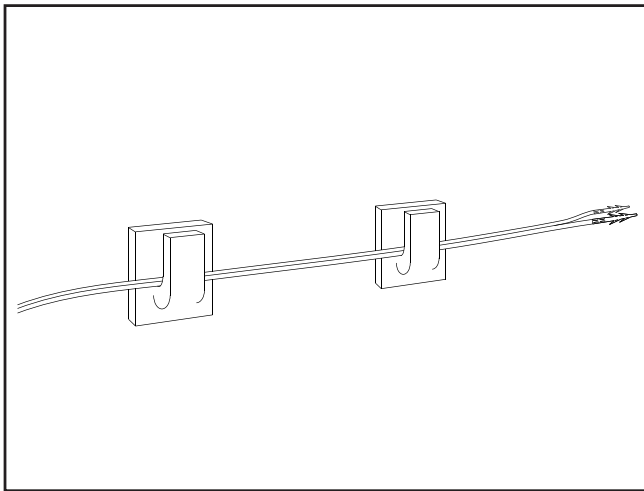
CAUTION: Do not plug in power supply until wiring is complete (see #6)



1) Position and mount light fixture vertically in the front corner of the cabinet using the (2) screws provided.

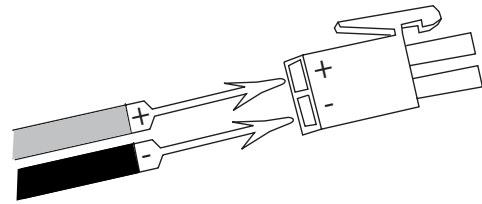


2) Place Door Sensor on underside of frame using (4) screws and mounting bracket provided.
NOTICE! Place no more than 1/4" back from the edge of the cabinet frame.



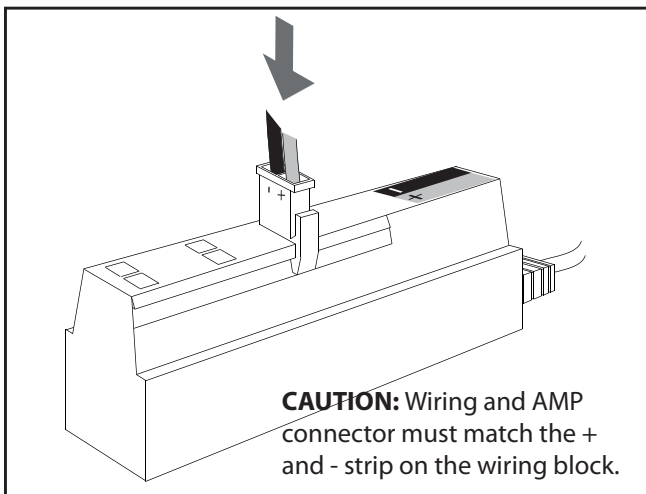
3) Run output wires from Door Sensor to light, and run input wires from Door Sensor to power supply. Use the provided clips for wire management. If needed to run through cabinetry, drill a 3/16" hole.

CAUTION: Wiring and AMP connect must match the + and the - strip on the wiring block



+ Positive
- Negative

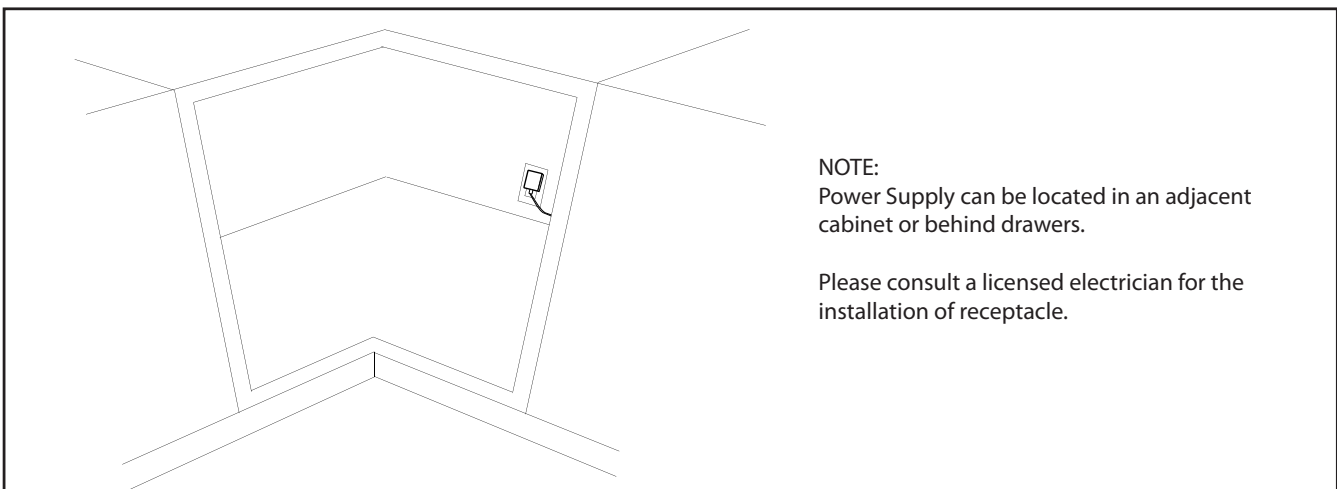
4) Place male AMP connector on ends of Door Sensor input wire. Must match the + and - wires with the marked AMP connector.



CAUTION: Wiring and AMP connector must match the + and - strip on the wiring block.

5) Snap AMP connector into transformer wiring block. Turn power on to transformer. NOTE: Maximum of (2) lights per transformer.

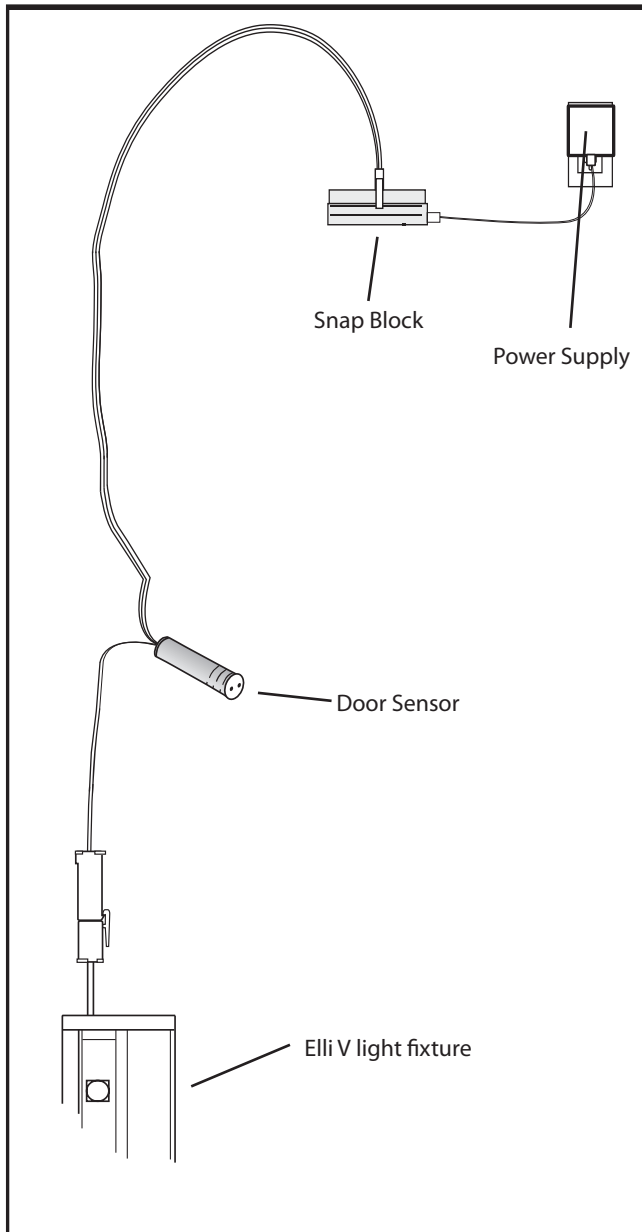
6) Plug Power Supply into receptacle.



NOTE:
Power Supply can be located in an adjacent cabinet or behind drawers.

Please consult a licensed electrician for the installation of receptacle.

Do not deviate from the following wiring schematic. Wiring cannot be shortened and can only be lengthened using Tresco linking cords. Please consult a licensed electrician for the installation of receptacle.



IMPORTANT SAFETY FEATURES

CAUTION:

To reduce the risk of fire, electric shock, or injury to persons:

- Use only insulated staples or plastic ties to secure cords.
- Route and secure cords so that they will not be pinched or damaged when the cabinet is pushed to the wall.
- The lamp cannot be replaced.
- Not intended for recessed installation in ceilings or soffits.
- The low voltage portable cabinet light may be installed inside or under a kitchen cabinet or other built-in furniture.
- Do not conceal line voltage power supply cord or power supply inside a wall, ceiling, soffit, or similar permanent structure.
- Do not run line voltage power supply cord through holes in walls, ceilings, or floors.
- Output wires from door sensor to light fixture cannot go behind structural walls or ceilings.
- Not intended to be used in damp areas or outdoor areas.
- A licensed electrician should be consulted for wiring through ceilings and walls.

This light is intended to be used as a cabinet light on wood, particle board or other structurally sound, heat resistant surfaces. Care should be taken during and after installation to avoid contact of light with wiring, cord, or any combustible material.

WARNING: Deviation from the assembly instructions may result in a risk of fire or electric shock.

Save these instructions for future reference.



(800) 626-1126

www.trescolighting.com