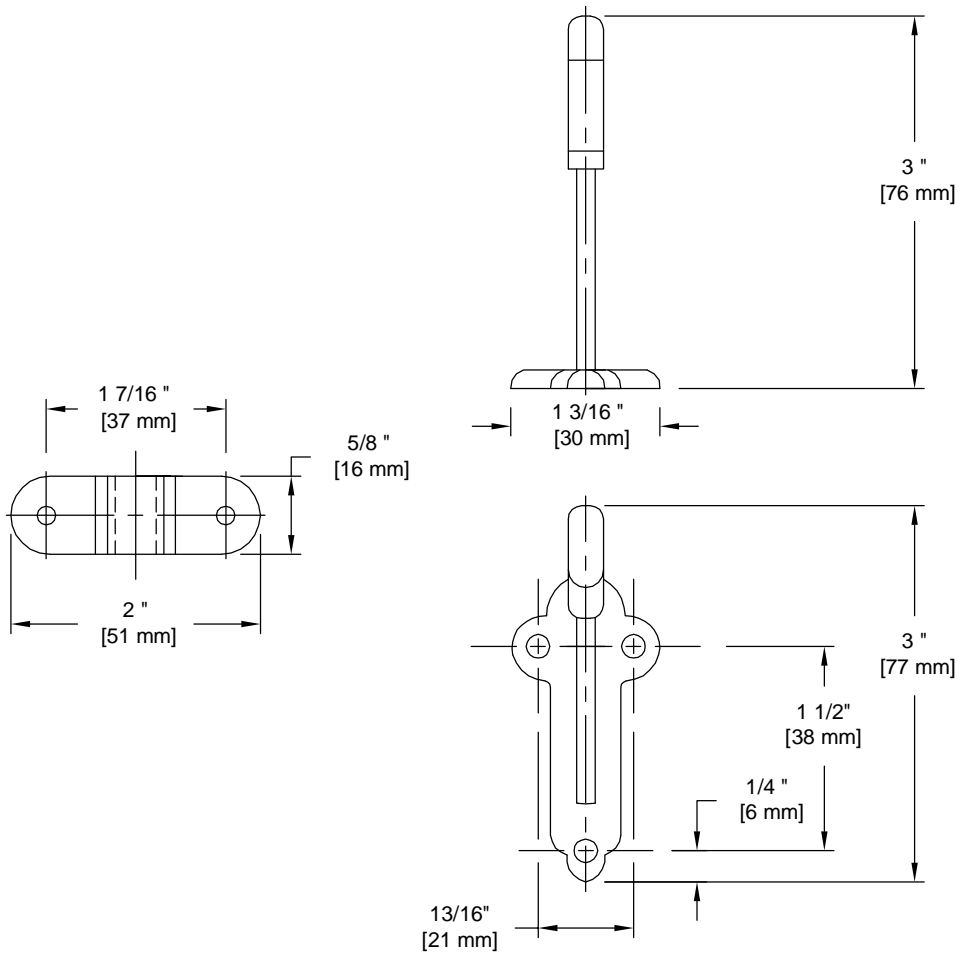


# PRODUCT DATA SHEET

**Product Description:** Economy handrail bracket. Fabricated from zinc with a US10B oil rubbed bronze finish. Ships with mounting hardware.



**Overall Size:** 1 3/16" W X 3" H X 3" D

**Material:** Zinc

**Finish:** US10B Oil Rubbed Bronze

### Cross Reference

Manufacturer	Part Number



Description:

**Handrail Bracket, Zinc,  
Economy**

Part Number:

33603

Date

06/16

Rev.

04

Sheet 1 of 1