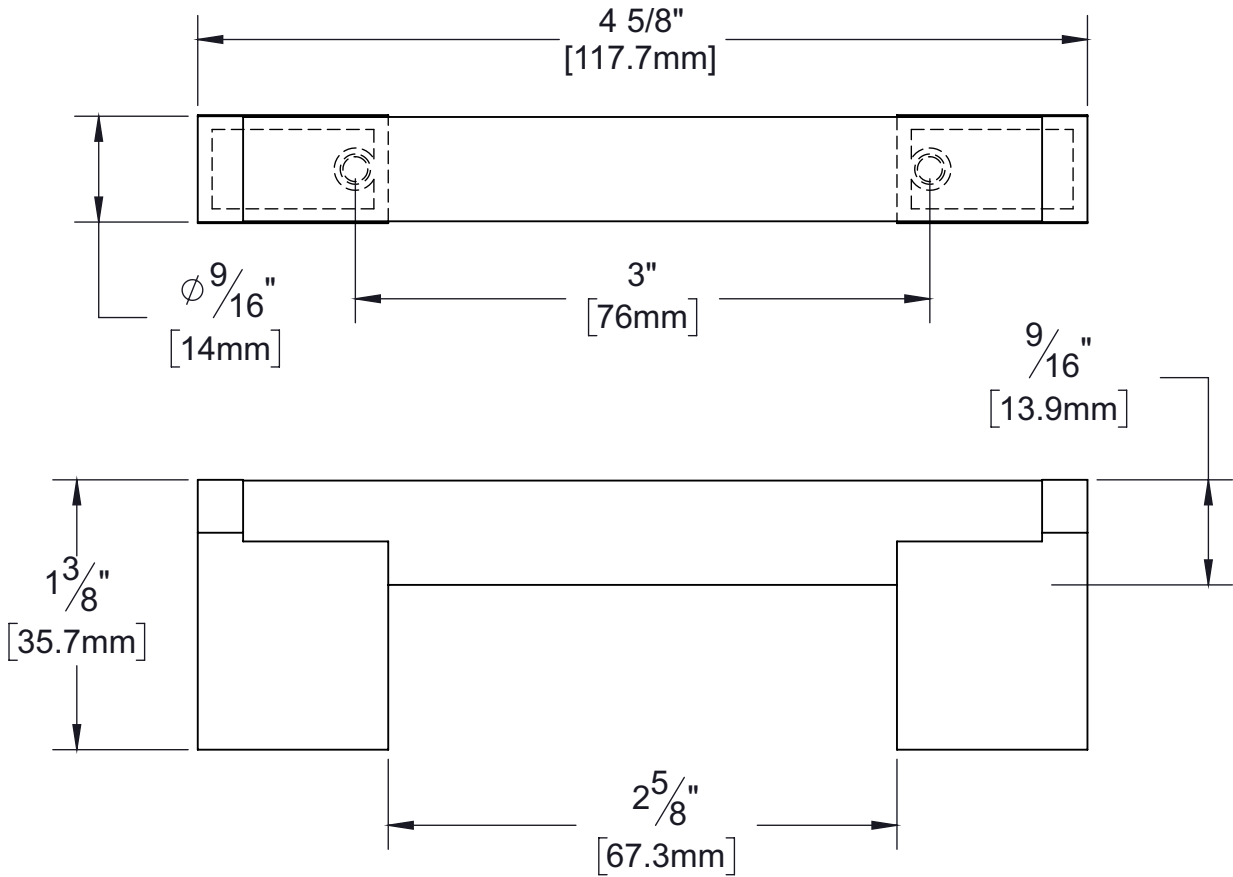


# PRODUCT DATA SHEET

**Product Description:** Decorative handle pull perfect for kitchen or bath cabinets. 3" center to center. Fabricated from zinc and steel with a US11P venetian bronze finish. Individually packaged with mounting screws. Individually packaged with 1" length and 1 3/8" length (M4x0.7) mounting screws.



**Overall Size:** 4 5/8" W X 9/16" H X 1 3/8" D

**Material:** Zinc and Steel

**Finish:** US11P Venetian Bronze

**Cross Reference**

| Manufacturer | Part Number |
|--------------|-------------|
|              |             |
|              |             |
|              |             |



Description:

**Handle Pull,  
Zinc And Steel,  
3" Center To Center**

Part Number:

36290

Date

11/17

Rev.

00