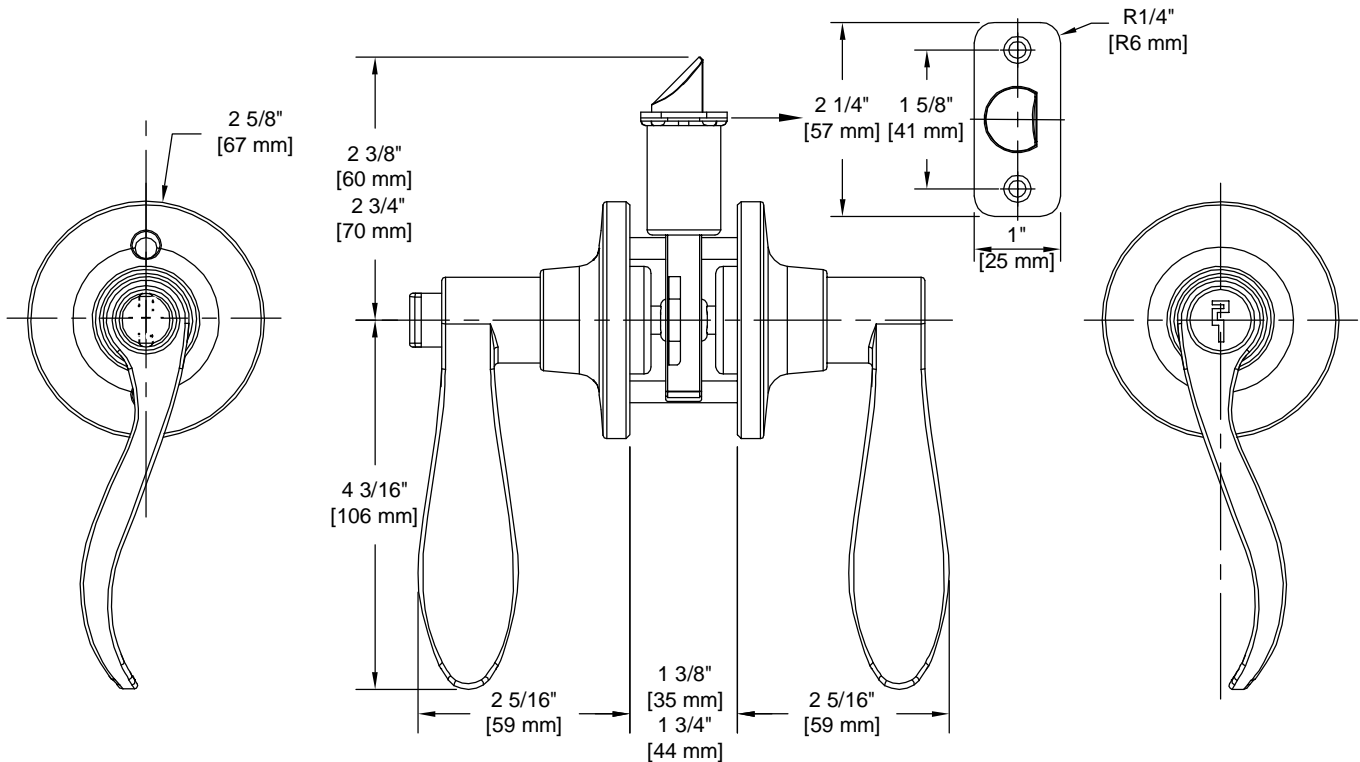


PRODUCT DATA SHEET

Product Description: Entry door lock lever, reversible. ANSI Grade 3 with a Kwikset KW 1 keyway. Fabricated from die cast zinc with US15 satin nickel finish. Locked or unlocked by key outside or push button inside. Ships with mounting hardware. Lock ships with mortise latch. Optional drive in latch (product #87392) and UL10C fire rated latch (product #87370) available.



Door Prep: Cross Bore 2 1/8+, Edge Bore 1+, Mortise Latch Face 1+x 2 1/4+, Optional Drive In Latch 1" Diameter Drilled Hole
Latches: Ships With Mortise Latch As Shown Above. Optional Drive In Or UL10C Fire Rated Latches Available
Backset: Adjustable Latch to 2 3/8+ or 2 3/4+
Door Thickness: Fit all 1 3/8+ - 1 3/4+ Standard Doors
Cylinder: Brass with 5 Pin Tumbler Kwikset KW 1 Keyway
Strike Plate: 2 1/4+ Full Lip Strike
Bolt: 1/2+ Throw

REKEY OPTIONAL



Overall Size: 5 1/2" W X 2 5/8" H X 2 5/16" D

Material: Die Cast Zinc

Finish: US15 Satin Nickel

Cross Reference

Manufacturer	Part Number



Description:
**Lock Lever, Entry,
 Reversible, Dakota, KW 1,
 ANSI Grade 3**

Part Number: 87324	Date 09/16	Rev. 03	Sheet 1 of 1
------------------------------	---------------	------------	--------------