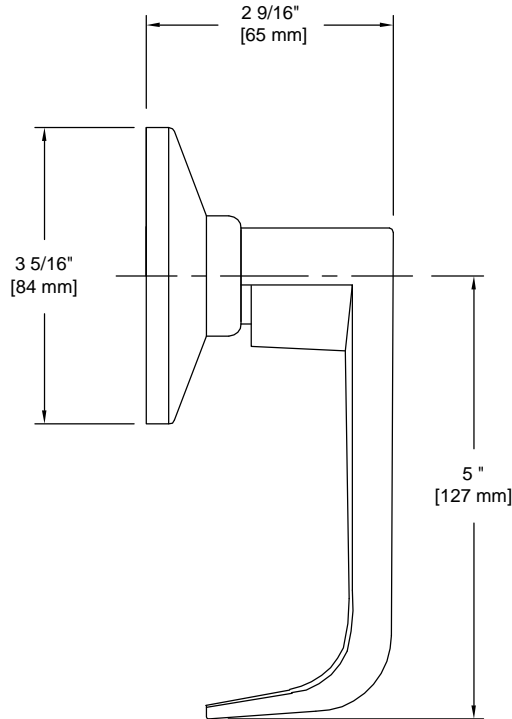


# PRODUCT DATA SHEET

**Product Description:** Lever trim, panic exit device, dummy. Non handed. Lever trim fabricated from die cast zinc, escutcheon fabricated from stainless steel in a US26D satin chrome finish. Cylindrical body fabricated from hardened steel heavy duty tailpiece. Full length lever handle with 3/8" return. Fits both UL fire rated and UL panic exit devices. ADA compliant. Ships with mounting hardware.

**Designed For  
161 Cut Out  
Door Prep**



**Door Thickness:** Standard Doors 1 3/4+to 2 1/4+



**Overall Size:** 5" W X 3 5/16" H X 2 9/16" D

**Material:** Die Cast Zinc

**Finish:** US26D Satin Chrome



**Cross Reference**

Manufacturer	Part Number
CAL-ROYAL	DUM40L



Description:

**Lever Trim, Panic Exit,  
Dummy Function**

Part Number:

**PEL8000DY**

Date

04/12

Rev.

01