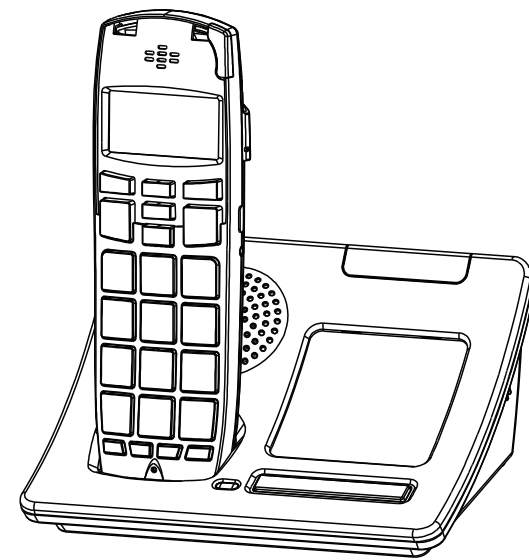


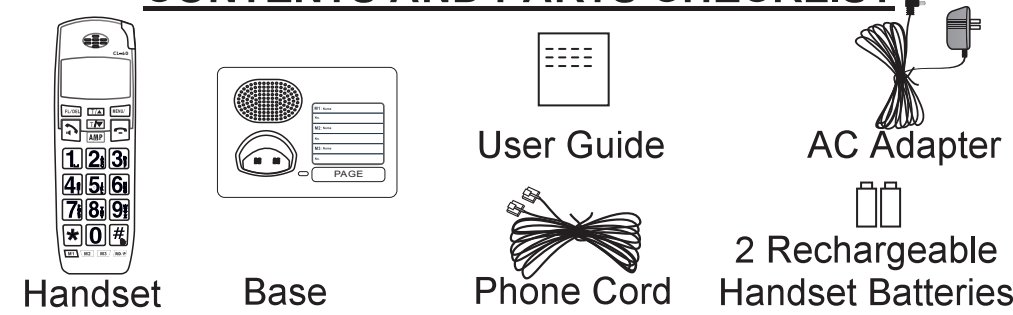
### Quick Guide Model CL-60

Amplified DECT  
Telephone with  
Talking CID &  
Talk-Back Feature

Serene Innovations, Inc.  
14615 Carmenita Rd.  
Norwalk, CA 90650  
Tel: 562 407 5400

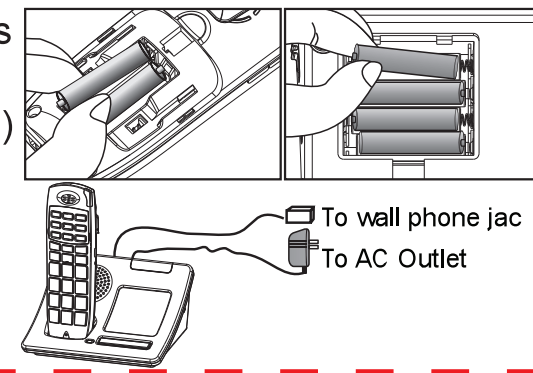


#### CONTENTS AND PARTS CHECKLIST



#### INSTALLATION DIAGRAM

1. Install rechargeable batteries in handset (included) and base (batteries not included) as shown.
2. Connect AC adapter and phone cord to the base as shown.
3. Charge the handset in the base for 24 hours (or over night) before initial use.



#### Answering an incoming call

1. Press **[MUTE]** button when phone rings.  
(Press **[MUTE]** to engage speakerphone if need).
2. Press **[END]** button to end the call.

#### Making a Call

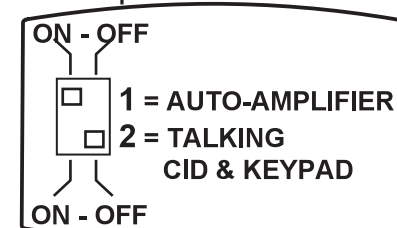
1. Enter phone number and confirm on display.
2. Press **[MUTE]** button to go on-line and dial.  
(Press **[MUTE]** to engage speakerphone if need).
3. Press **[END]** button to end the call.

#### AMP Function, Volume & Tone Controls

1. During a call, Press **[AMP]** button to toggle amplify function.  
**Caution:** When it is On (illuminated), an extra level of amplification is added to the receiver volume.
2. Press **[VOLUME]** Volume buttons (on the side) to adjust the volume level (VL1 to VL5).
3. While **[AMP]** is ON, press **[T/▲]** or **[T/▼]** buttons to select a tone setting (T1 to T4) for best voice clarity.

#### Automatic AMP & Talking Function Switches

1. Open battery compartment cover to expose two small slide switches.
2. Set Switch 1 to ON if you want **[AMP]** to be ON every time.
3. Set Switch 2 to ON for talking CID and talking keypad.



(Note: Both switch functions can be altered by changes made in "HS SETTINGS" sub-menu and vice-versa)

#### Programming One-Touch Memories

1. While off-line, enter phone number and confirm.
2. Press and hold **[M3]** (or M1, M2) for 5 seconds to save.

#### Dial from a One-Touch Memory

1. While off-line, press **[M3]** to confirm number.
2. Press **[MUTE]** to go on-line and dial.
3. Press **[END]** to end the call.

#### Outgoing Call List

1. While off-line, press **[T/▼]** first to see the last call made.
2. Press **[T/▲]** or **[T/▼]** to review the last ten calls made.
3. To dial the number on display, just press **[MUTE]**.  
(To copy to Phone-Book, press **[MENU/OK]** and then scroll to sub-menu option. Press **[MENU/OK]** to confirm.)
4. Press **[END]** to end the call or exit to off-line.

#### Incoming Call List

- (Must subscribe to phone company CID service)
1. While off-line, press **[T/▲]** first to view the latest CID info.
  2. Press **[T/▲]** or **[T/▼]** to scroll the incoming call list.
  3. To dial the number on display, just press **[MUTE]**.  
(To copy to Phone-Book, press **[MENU/OK]** and then scroll to sub-menu option. Press **[MENU/OK]** to confirm.)
  4. Press **[END]** to end a call or return to off-line.

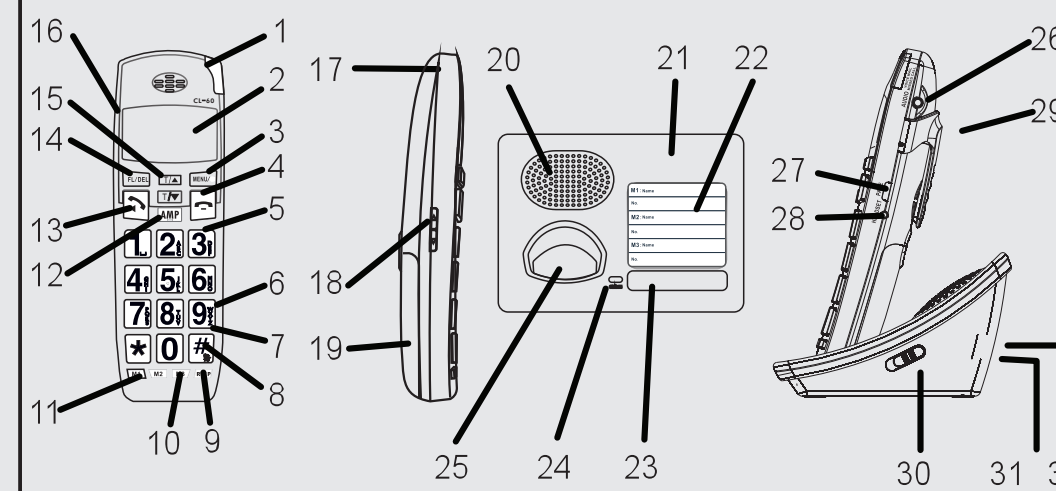
#### Create Phone-Book Entries

1. While off-line, press **[MENU/OK]** and then **[T/▼]** to scroll to "Phone Book".
2. Press **[MENU/OK]** to confirm.
3. Press **[T/▲]** to scroll to "NEW ENTRY".
4. Press **[MENU/OK]** to confirm. Screen displays "NAME?".
5. Type in name and then press **[MENU/OK]** to save.
6. Screen displays "NUMBER?".
7. Type in number and press **[MENU/OK]** to save.
8. Screen displays "MELODY 1" and sounds a melody.
9. Press **[MENU/OK]** to save. Screen displays "NEW ENTRY".
10. Press **[END]** to end, or go to Step 4 for another entry.

#### Trouble Shooting

- Q1: Base Charging Indicator is not on when handset is placed on the base.  
Ans: Move the handset slightly to improve contact.
- Q2: No CID information on an incoming call.  
Ans: Check your subscription with your phone company.
- Q3: No Dial tone.  
Ans: Check AC adapter and phone cord connection. Make sure you're not too far from the base. If this is a new handset, you must register it to the base before using.
- Q4: No display on handset.  
Ans: Verify battery is OK; make sure the handset is not power-off.
- Q5: Handset does not ring.  
Ans: Verify battery is OK; verify handset is not powered off; verify "Do-Not-Disturb" is not active.
- Q6: Why is the red flasher always blinking?  
Ans: This indicates you have voice mail waiting in your provider's voice mail server. Or, you have missed a call; reviewing incoming call list clears this indicator.
- Q7: Static noise on the line.  
Ans: Your phone may be located near a touch lamp, microwave, or other appliance,

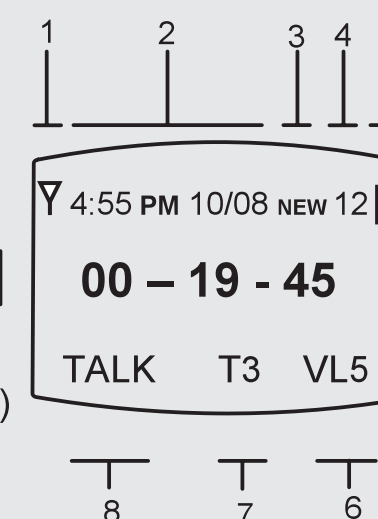
#### FEATURE LIST AND OVERVIEW



1. In-Use / Ring Flasher / Voice mail / Missed Call indicator
2. LCD display
3. **[MENU/OK]** button: Press to access menu or sub-menu option; during a call, press to mute / un-mute the microphone.
4. **[END]** button: Press to end a call or return to idle mode.
5. Keypad
6. Auto-Amplifier Switch: Enables automatic **[AMP]** function.
7. Talking CID/ Talking Keypad Switch: (6 & 7 are in battery compartment).
8. **[#]** button: Hold it for 5 sec. enables "Do-Not-Disturb".
9. **[RD/P]** button: Redial / Pause key.
10. **[M2]** **[M3]** buttons: One-touch memory
11. **[M1]** button: One-touch M. that activates speakerphone.
12. **[AMP]** (Amplify) button with indicator: Press to engage extra handset receiver amplification.
13. **[MUTE]** button: Press to make or answer a call. During a call, press to engage speakerphone.
14. **[FL/DEL]** (Flash / Delete) button: press to activate call waiting, or to delete a character entry.
15. **[T/▲]** and **[T/▼]** buttons: Press to change tone control, to scroll menu options.
16. Speaker
17. Hole for lanyard (not included).
18. **[VOLUME]** VOLUME Up/Down (side)
19. Battery Compartment Cover
20. Base Ringer
21. Base Flasher / In-Use Indicator
22. One-Touch Memory Directory Label
23. Page Button: Press to page all registered handsets.
24. Charge Indicator
25. Cradle
26. Audio Jack: For receiver audio output.
27. Page button: Press to intercom or transfer a call.
28. Headset Jack: For cordless phone headset.
29. Belt Clip
30. Base Ringer Volume Control
31. AC Adapter Jack (rear): For connection to power
32. Phone JACK (rear): For connection to phone line

#### Handset Display Screen Icons

1. Antenna strength
2. Time & Date
3. New calls; turn off after all new calls are reviewed
4. # of new calls not yet review; (# of old calls if "NEW" is off)
5. Battery strength indicator (3 bar= max; no bar=min)
6. Volume level - VL1 to VL5
7. Tone setting - T1 to T4 (effective when AMPLIFY is on)
8. TALK (or SPEAKER)
9. Call timer (HH:MM:SS)



#### Register A New Handset

1. Press and hold **[PAGE]** button on base for 5 seconds so it goes into Registration mode (confirm by a double beep & flashing LED).
2. Press and hold **[PAGE]** on handset to register (5 sec).
3. Wait for a confirmation tone.

#### No Ringing on Incoming Calls (Do-Not-Disturb)

1. While off-line, press and hold **[#]** for about 5 seconds to enable. Display will alternate between "NON DISTURB" and "HS #". Handset will not ring.
2. For handset to ring again, press and hold **[#]** for 5 seconds to turn off "NON DISTURB".

#### Power Down A handset

1. While off-line, hold **[END]** for 5 seconds to power down.
2. To power up, press and hold **[END]** for 5 seconds.
3. Wait for a confirmation tone before using. This indicates handshaking has been established with base.

#### Reset Handset to Factory Default

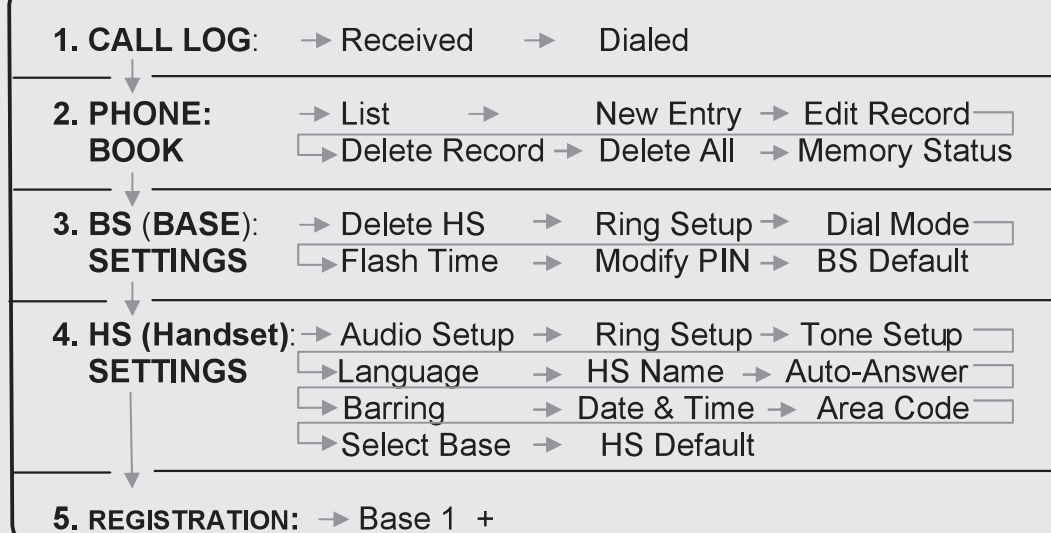
(Phone-book entries are not affected by reset)

1. While off-line, press **[MENU/OK]** to enter menu mode.
2. Press **[T/▲]** 2-times to see "HS SETTINGS". Press **[MENU/OK]** to select. Display shows "AUDIO SETUP". Press **[T/▲]** to find "HS DEFAULT".
3. Press **[MENU/OK]** to confirm and display asks for "PIN?".
4. Enter default PIN "0000" and press **[MENU/OK]** to confirm.
5. Wait for a confirmation tone and then press **[END]** to exit.

#### Swapping Handset Batteries with Base Batteries:

Handset and base batteries are inter-changeable. In the event that handset batteries are running low, it is acceptable to swap the handset batteries with two from the base. This eliminates the handset re-charge time.  
*Note: A fully charged handset battery can provide 8 hrs of talk time (80 hrs standby). Base batteries can provide ~4 hrs of backup. After a temporary power outage, it may take 1 to 2 minutes for the handset to self re-register with base.*

#### Menu Flow Chart



#### Navigate The Main Menu & Sub-Menu:

1. While off-line, press **[MENU/OK]** to enter main menu; Screen shows "CALL LOG".
2. Press **[T/▲]** or **[T/▼]** to scroll thru all menu options.
3. Press **[MENU/OK]** to select a menu option to change.
4. Press **[T/▲]** or **[T/▼]** to scroll sub-menu options; press **[MENU/OK]** to select a sub-menu option; press **[T/▲]** & **[T/▼]** to scroll if necessary.
5. Press **[MENU/OK]** to select an option or confirm a change.
6. If necessary, press **[FL/DEL]** to return to a previous menu level.
7. When finish, press **[END]** to exit to off-line.