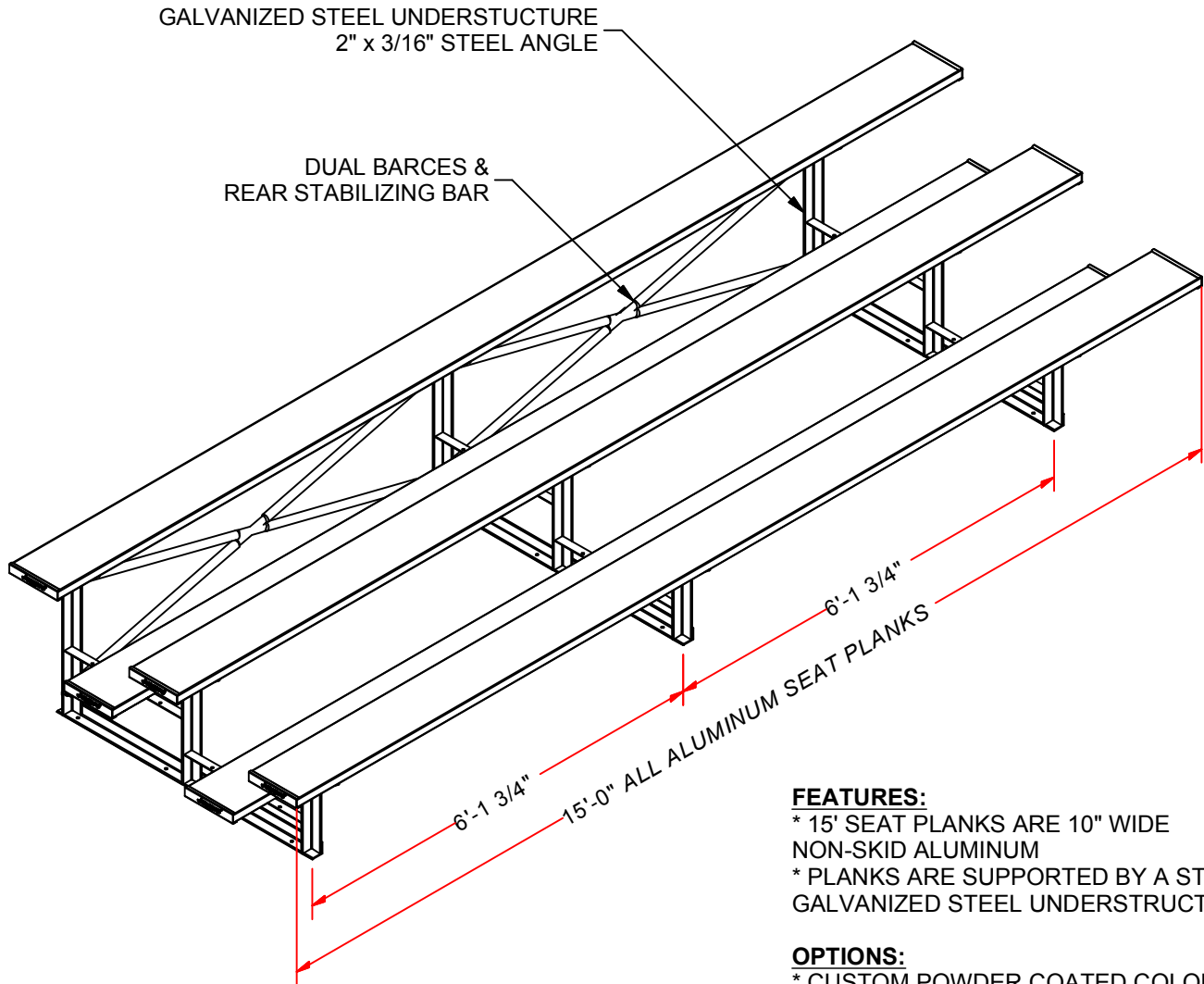




BLCH-3 15' ALUMINUM SEAT W/ GALVANIZED STEEL UNDERSTRUCTURE

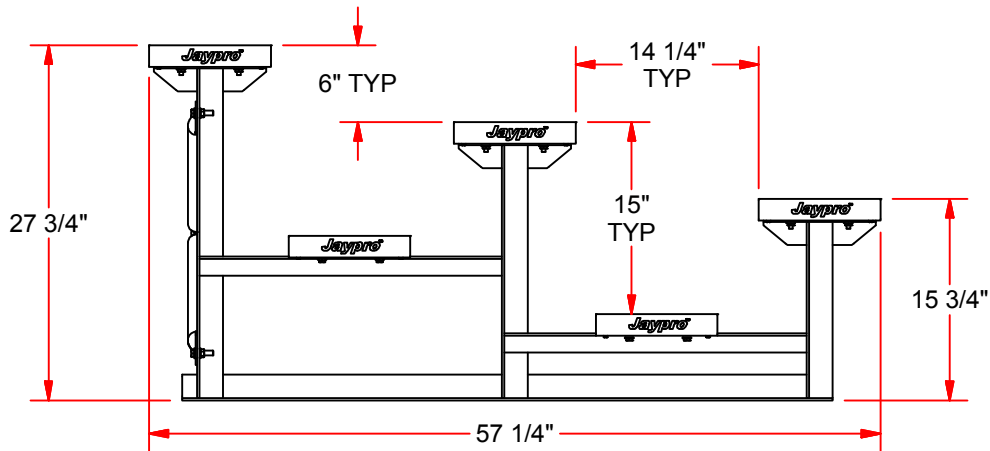


FEATURES:

- * 15' SEAT PLANKS ARE 10" WIDE NON-SKID ALUMINUM
- * PLANKS ARE SUPPORTED BY A STRONG GALVANIZED STEEL UNDERSTRUCTURE

OPTIONS:

- * CUSTOM POWDER COATED COLORS



BLCH-3
 15' ALUMINUM SEAT W/ GALVANIZED STEEL UNDERSTRUCTURE
 © COPYRIGHT 2014 JAYPRO SPORTS, LLC. ALL RIGHTS RESERVED
 THIS PRINT IS THE PROPERTY OF JAYPRO SPORTS, LLC. AND MAY NOT BE REPRODUCED WITHOUT WRITTEN PERMISSION

www.jaypro.com
 (800) 243-0533
 976 Hartford Turnpike
 Waterford, CT 06385 USA
 Sheet 1 of 1