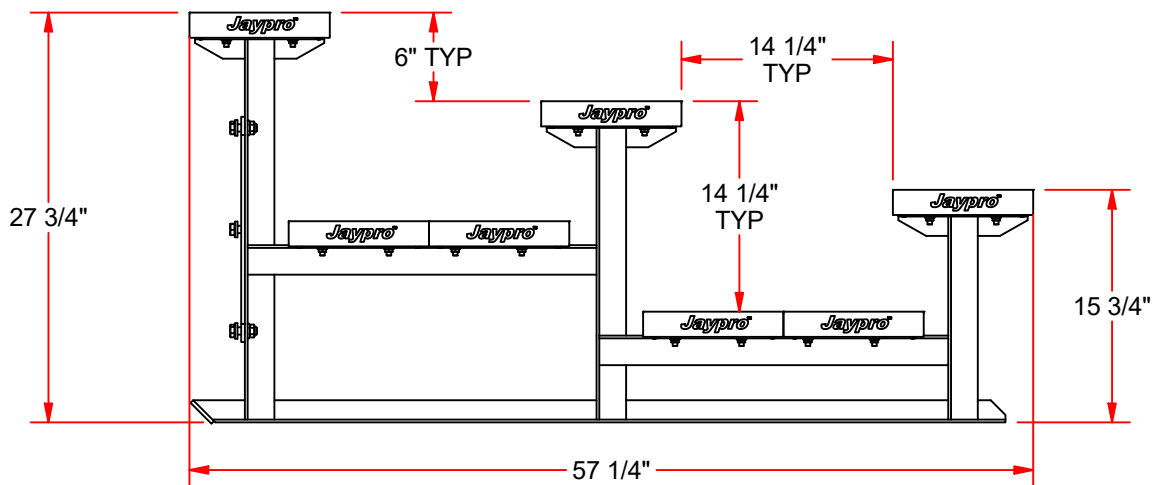
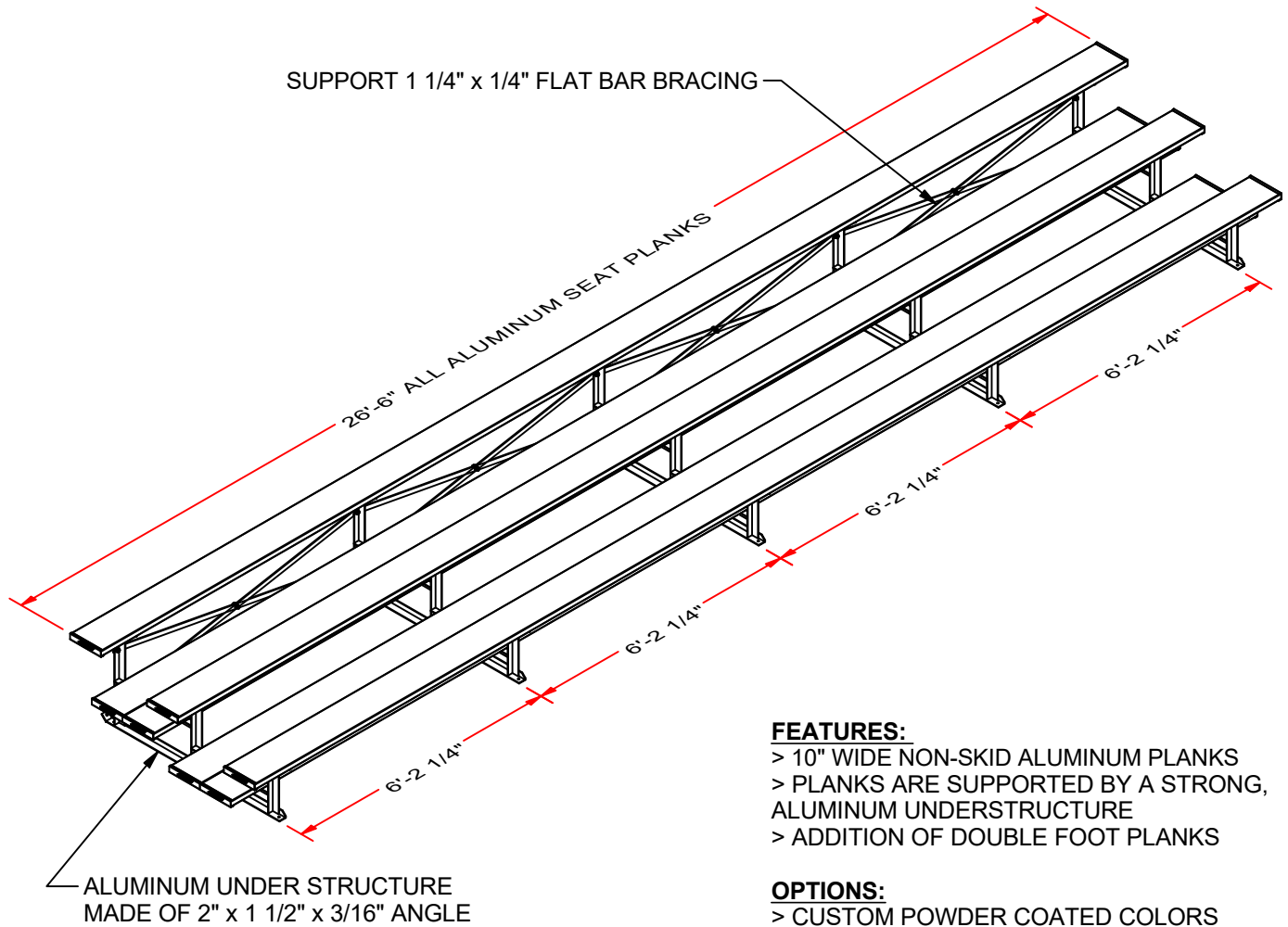




# BLDP-327AL 27' PREFERRED ALUMINUM BLEACHER



## BLDP-327AL

27' PREFERRED ALUMINUM BLEACHER

© COPYRIGHT 2017 JAYPRO SPORTS, LLC. ALL RIGHTS RESERVED  
THIS PRINT IS THE PROPERTY OF JAYPRO SPORTS, LLC. AND MAY  
NOT BE REPRODUCED WITHOUT WRITTEN PERMISSION

www.jaypro.com  
(800) 243-0533  
976 Hartford Turnpike  
Waterford, CT 06385 USA

Sheet 1 of 1