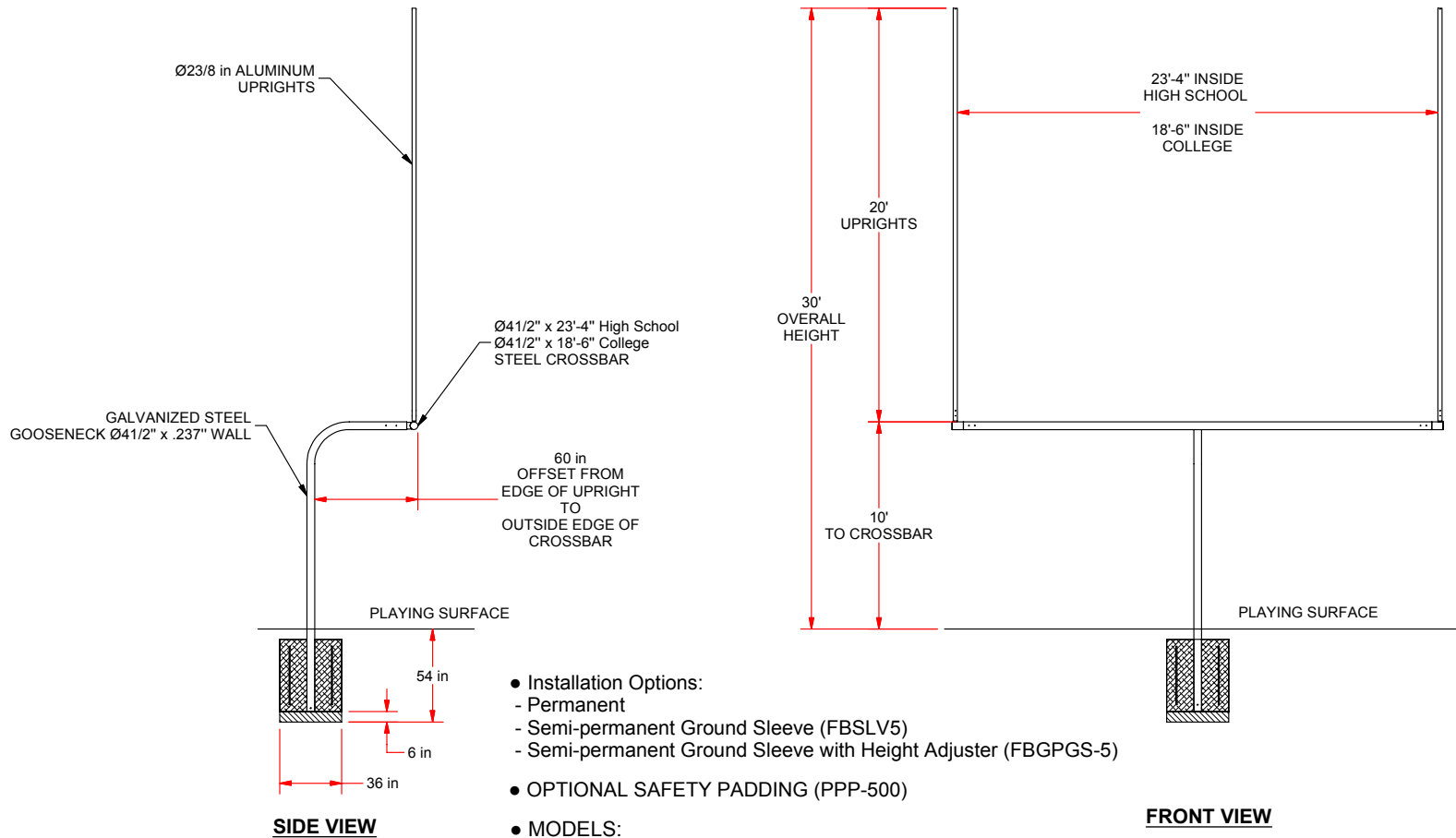


FBGP-620 FOOTBALL GOAL POST SPECIFICATIONS


REV	DESCRIPTION	DATE	BY
A	60" DIM WAS 55"	8/14/2012	DRL

NOT TO BE USED FOR INSTALLATION



- Installation Options:
 - Permanent
 - Semi-permanent Ground Sleeve (FBSLV5)
 - Semi-permanent Ground Sleeve with Height Adjuster (FBGPGS-5)
- OPTIONAL SAFETY PADDING (PPP-500)
- MODELS:

FBGP-620	HIGH SCHOOL	WHITE
FBGP-620YW	HIGH SCHOOL	YELLOW
FBGP-620C	COLLEGE	WHITE
FBGP-620CYW	COLLEGE	YELLOW

 976 Hartford Turnpike Waterford, CT 06385 USA (800)243-9533 Fax: (800)988-3363 www.jaypro.com	MODEL NUMBER: FBGP-620 SPECIFICATION	CHECKED BY: WVB
	PRODUCT NAME: FBGP-620 SPECIFICATIONS	
DATE: 2/8/2012	REV: A	DRAWN BY: DRL



**FBGP-620 SERIES
OFFICIAL 5' OFFSET FOOTBALL GOAL POST
- PERMANENT AND SEMI-PERMANENT INSTALLATIONS -**

LIST OF MATERIALS

<u>ITEM NO.</u>	<u>PART NO.</u>	<u>DESCRIPTION</u>	<u>QTY.</u>
1	HS5119	Bolt-HX HD 1/2"-13x5"	8
2	HS5066	Bolt-HX HD 1/2"-13x7 3/4"	4
3	HN268	1/2"-13 LOCK NUT	12
4	HW2044	1/2" FLAT WASHER	12
5	HS1616	Bolt-3/8"-16x2 3/4"	8
6	HN1230	3/8"-16 LOCK NUT	8
7	HW2047	3/8" FLAT WASHER	8
8	SR167	1/2-13 x 8 in THREADED ROD	1
9	HN5038	1/2-13 FLANGE NUT	2

IMPORTANT

- 1) The location of the gooseneck with respect to the field is critical. By rule, the front of the crossbar should be even with the field side (inside) edge of the end line such that the crossbars measure 360 ft apart inside to inside. The distance from the end line to centerline of the bottom upright (gooseneck) is approximately **62 1/4"** for the FBGP-620 series. See Figure 1
- 2) The footing depth is dependant on the type of installation, permanent or semi-permanent. For permanent installations see Figure 3. For a semi-permanent using a ground sleeve (Part No. FBSLV5) see Figure 4, and for a semi-permanent with height adjuster see Figure 5. Materials for the semi-permanent with height adjuster installation (Part No. FBGPGS-5) include the ground sleeve, height adjuster and hardware.
- 3) Concrete should be a minimum 4000-psi mix.
- 4) The crossbar should be level and at a height of 10 ft above ground level. The uprights should be plumb in both directions, front to back and side to side. Adjust goal components as necessary. Note that a certain amount of deflection in the crossbar is to be expected due to the weight of the end fittings and uprights on each end.

SLEEVE AND GOOSENECK INSTALLATION

- 1) Excavate the footing hole to the appropriate dimensions shown. See Figure 1 and figure 2 for locating the footing and height of the gooseneck. Use Figure 3 for permanent installations. Use Figure 4 for semi permanent installations with standard ground sleeve (FBSLV5) and Figure 5 for semi-permanent installations with sleeve and height adjuster option (FBGPGS-5).
- 2) Once hole is excavated re-check depths to assure the correct crossbar height (10' 0") will be achieved. Note: Due to the weight of the crossbar and uprights the gooseneck will deflect downward 1" to 1-1/2".
- 3) Create a 6" base by using a concrete block or pouring a level pad 6" in the bottom of the hole. Allow 48 hours to cure. Once the 6" pad has cured, center your lower upright (gooseneck) in the hole; making sure the upright is perpendicular and square to the playing field. Adequately support the gooseneck to prevent any movement and allow to cure for a full 48 hrs.

Cross-bar and Upright Installation

Once the footing is complete and the concrete has set for 48 hours, next install the crossbar.

Crossbar Installation:



Use 10' scaffolding and a ladder, have two people on the scaffolding to lift and move the crossbar. Now with a third person on the ladder guide the insert into the gooseneck.



Insert crossbar into gooseneck. Set crossbar depth so the front edge of the crossbar is in line with the inside edge (field side) of the end line. Once the crossbar is level, mark (by using a center punch) and drill the holes through the gooseneck. Start with a 3/16" bit, then a 3/8" bit and finally a 1/2" bit.

Mark and Drill Crossbar:



Once the holes are drilled, use the 1/2" bolts with two flat washers and thin lock nut. Use a Silicon sealant used on each side of the bolt to prevent corrosion.

Tightening 1/2" bolts between crossbar and gooseneck:



Top Upright Installation:

Place the end fitting in the end of the crossbar and plumb to level in two directions – front to back and side to side. Mark the holes using a center punch. IMPORTANT: It is important that the holes in the end fitting be properly placed to ensure that the end fittings are square and the uprights are parallel to each other.



Remove the end fitting and drill the marked holes. Start with a 3/16” bit, then a 3/8” bit and finally a 1/2” bit.

Drill End Fitting:



Insert the end fitting in crossbar and loosely install the appropriate hardware. Verify that the vertical member is square to the crossbar and plumb.

Attach top upright cap:

Install the upright cap on the top upright. The cap goes on the end without holes. Tap the cap in place and drill a 1/8" through the hole on the cap to the top upright. Uses the self-tapping screws provided and secure the cap.



Install wind streamers (if purchased).

Remove the hardware holding the end fitting and rotate it down so the top upright can be slid on. Using the 3/8" hardware provided attach the upright to the end fitting. It is recommended that a silicon sealant be used on both sides of the hardware to prevent corrosion. Once the top upright is connected, balance the top upright on a ladder, so the upright can be pulled to vertical and fastened.

Rotate top upright into position:

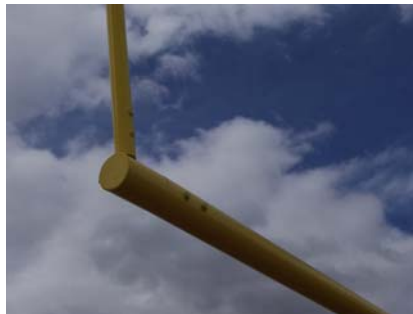


Attaching top upright to end fitting. See Figure 3

Rotate the upright into position with two people on the scaffolding, one person pulls the top upright to vertical while the second person installs the 1/2" hardware, silicon each side of the fastener to prevent corrosion during installation.



Once complete, repeat on the other side. After both goalposts are installed use yellow rustoluem to paint all of the bolt heads and all of the nuts. This will give the fasteners an extra layer of protection and it will give the goalpost a finished look, and also touch up any scratches.



REV	DESCRIPTION	DATE	BY
A	DISTANCE BETWEEN UPRIGHT AND CROSSBAR WAS 55 in	2/9/2012	DRL

NOTE:
 1) FRONT EDGE OF GOAL POST CROSSBAR IS TO LINE UP WITH INSIDE EDGE OF ENDLINE.
 2) CENTER OF GOOSENECK UPRIGHT IS TO BE 62 1/4" FROM INSIDE EDGE OF ENDLINE.

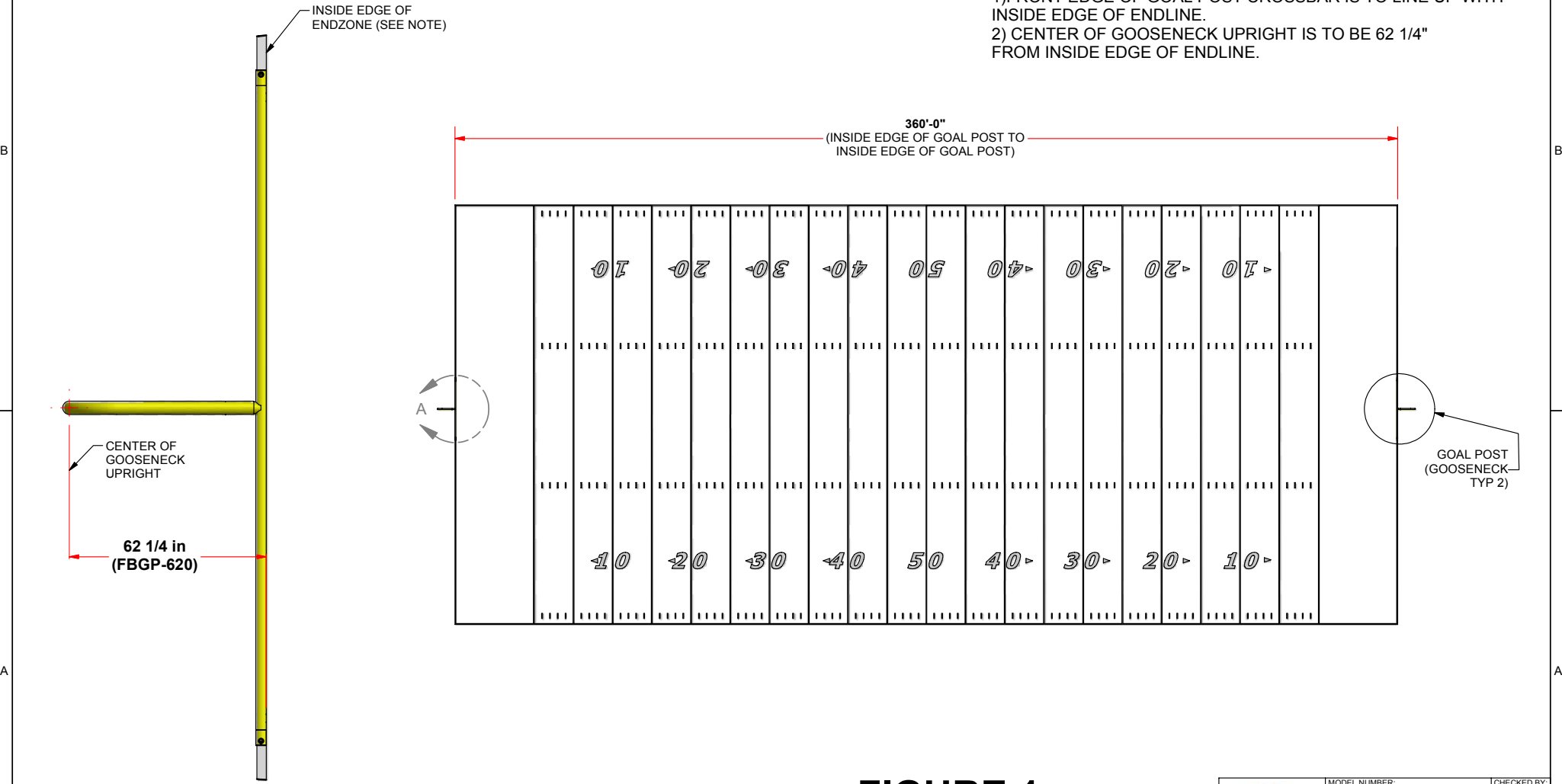



FIGURE 1

 976 Hartford Turnpike Waterford, CT 06385 USA (800)243-0533 Fax: (800)988-3363 www.jaypro.com	MODEL NUMBER: FIELD	CHECKED BY: WVB
	PRODUCT NAME: FBGP-620 SERIES	
DATE: 2/9/2012	REV: A	DRAWN BY: DRL

REV	DESCRIPTION	DATE	BY
A	DISTANCE OF GOOSENECK TO END LINE WAS 55 in, FOOTING WAS 66 in TOTAL DEPTH	2/9/2012	DRL

FBGP-620 FOOTBALL FOOTING PERMANENT INSTALLATION

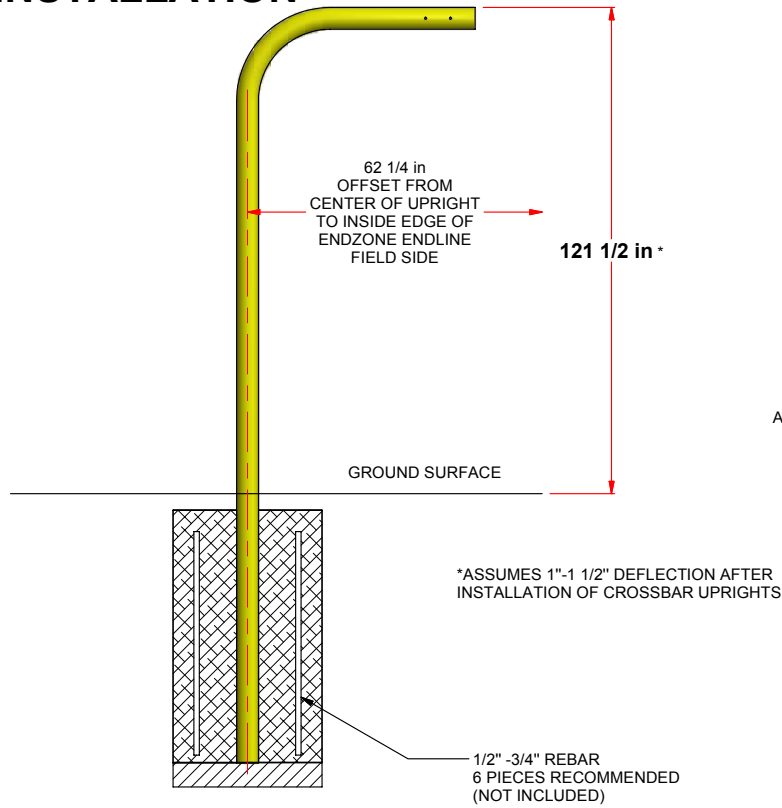


FIGURE 2

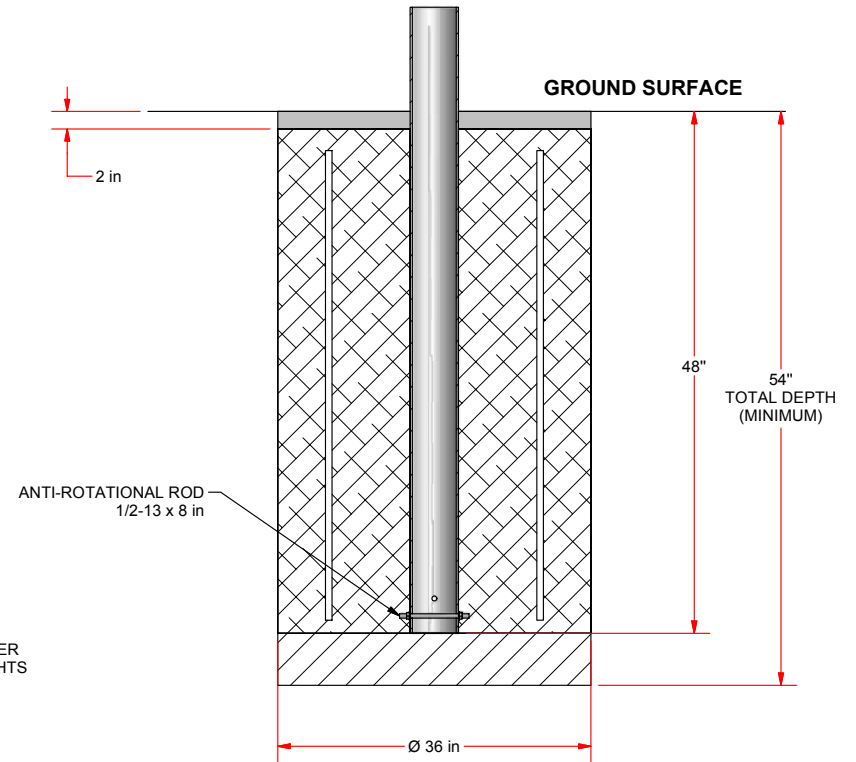



FIGURE 3

 976 Hartford Turnpike Waterford, CT 06385 USA (800)243-0533 Fax: (860)888-3063 www.jaypro.com	MODEL NUMBER: FBGP-620	CHECKED BY: WVB
	PRODUCT NAME: FBGP-620 FOOTING SPECIFICATIONS	
DATE: 2/9/2012	REV: A	DRAWN BY: DRL

REV	DESCRIPTION	DATE	BY
B	FOOTING DEPTH WAS 66 in	2/9/2012	DRL

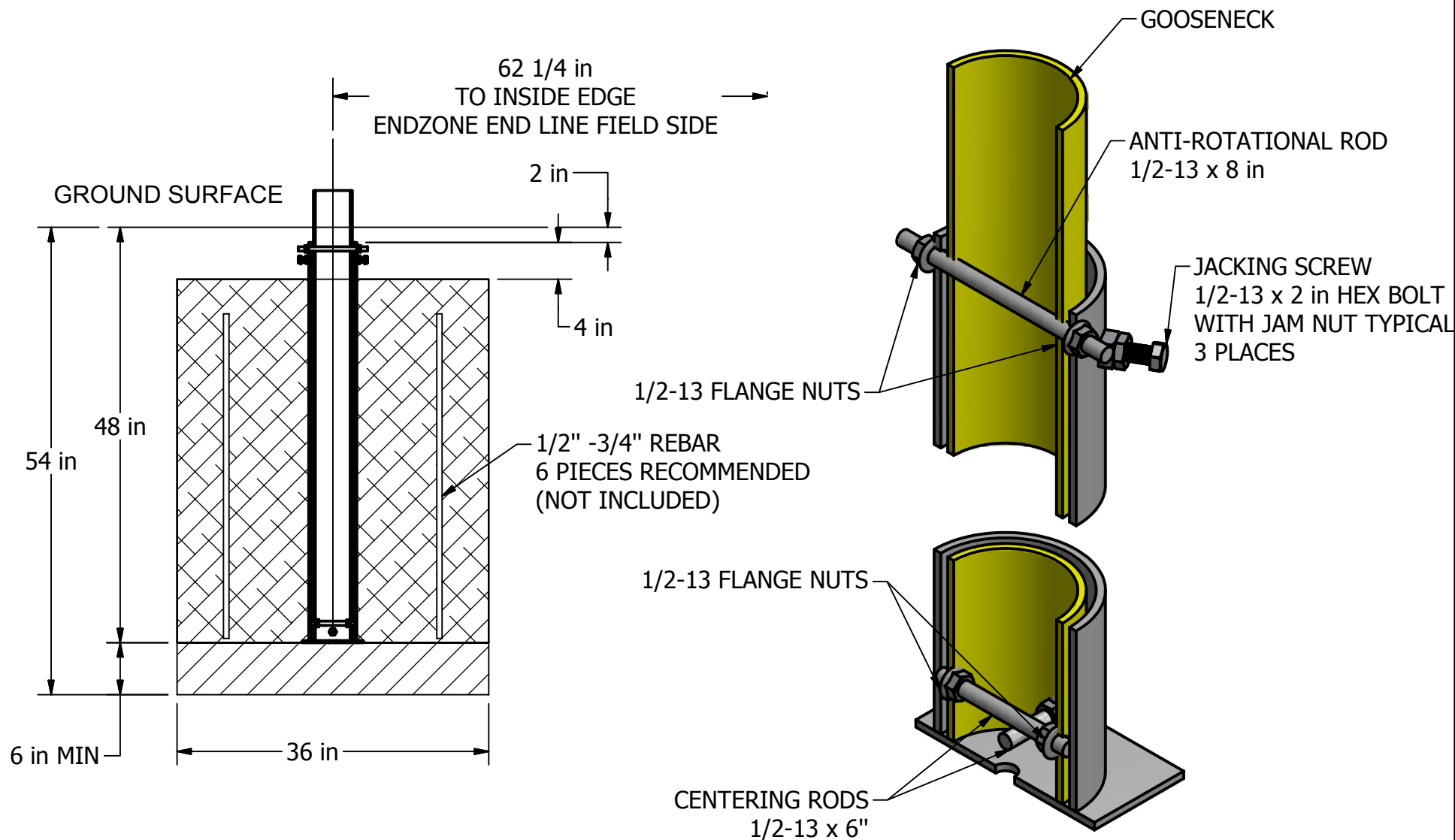



FIGURE 4

NOTE: ASSEMBLE THE THREADED RODS AT THE BASE OF THE GOOSENECK AS SHOWN, PLUMB THE GOOSENECK WITH THE THREE JACKING SCREWS AT THE TOP OF THE SLEEVE BEFORE CROSS DRILLING THROUGH THE SLEEVE AND MAST AND ASSEMBLING THE 8 in THREADED ROD AND NUTS AS SHOWN

 976 Hartford Turnpike Waterford, CT 06385 USA (800)243-0533 Fax: (800)988-3363 www.jaypro.com	MODEL NUMBER: FBSLV5 INSTRUCTIONS	CHECKED BY: WVB
	PRODUCT NAME: GROUND SLEEVE INSTRUCTIONS	
DATE: 5/3/2010	REV: B	DRAWN BY: DONL

REV	DESCRIPTION	DATE	BY
D	FOOTING DEPTH WAS 69 in, 62-1/4" DIM WAS 55"	2/9/2012	DRL

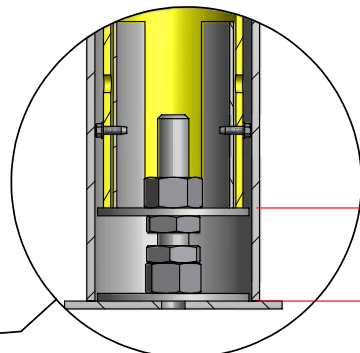
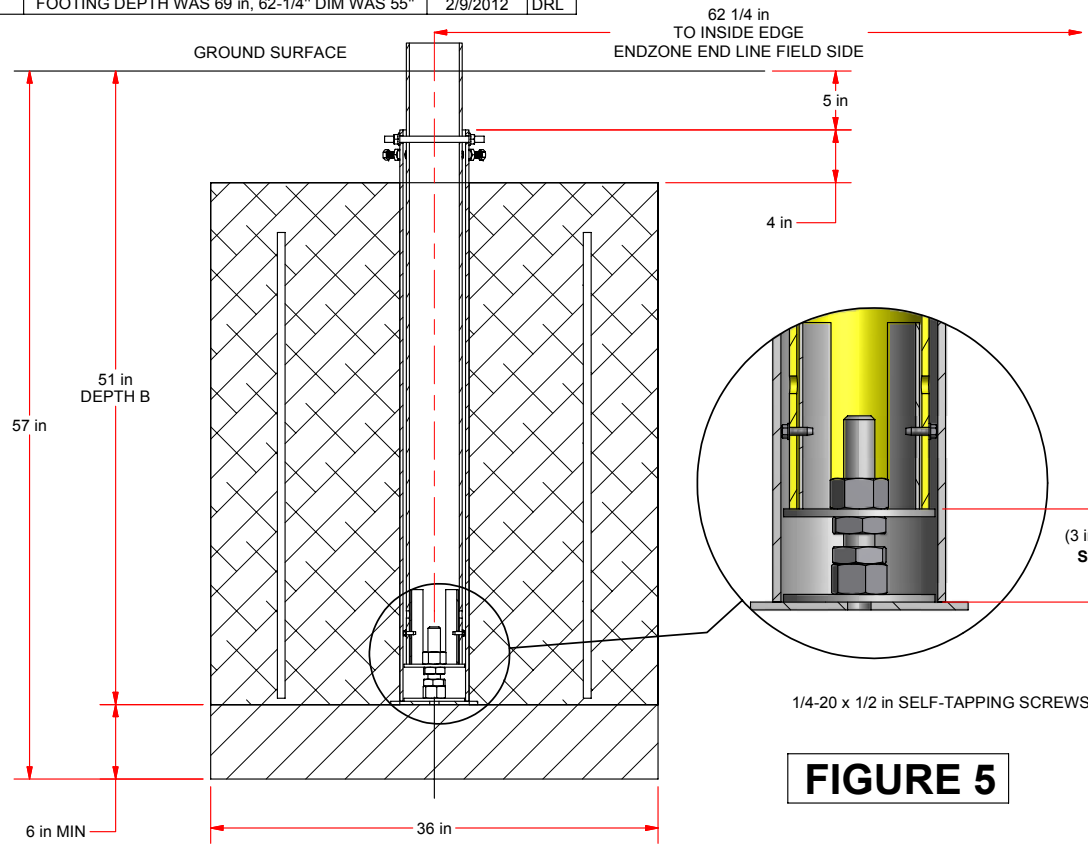
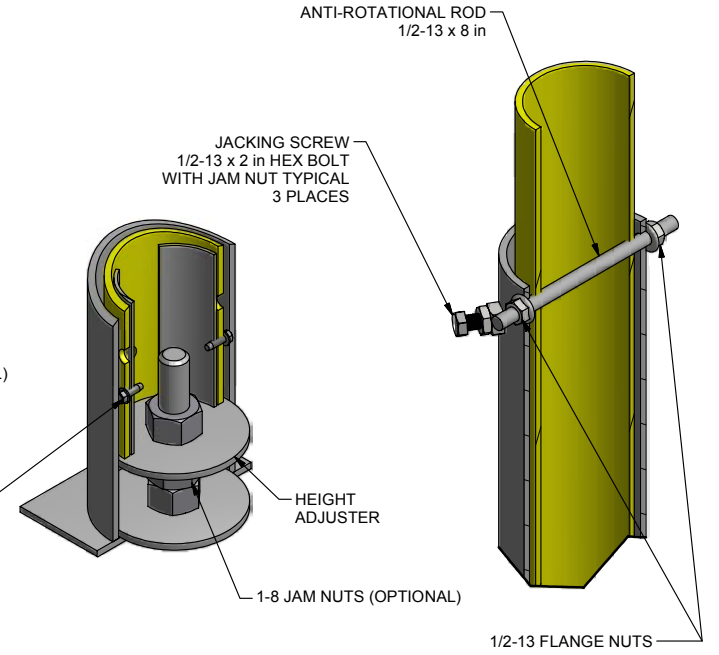


FIGURE 5



DETAIL B

DETAIL A

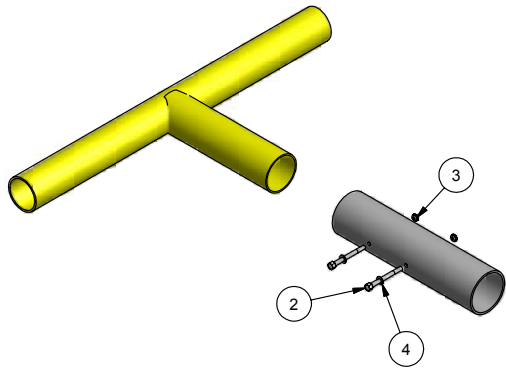
USE OF GROUND SLEEVE WITH HEIGHT ADJUSTER:

1. SET DEPTH OF GROUND SLEEVE TO 51 in FROM GROUND SURFACE
2. AFTER CONCRETE HAS CURED, MEASURE DISTANCE FROM GROUND SURFACE TO BOTTOM OF INSIDE OF GROUND SLEEVE. THIS IS DEPTH **B** AS SHOWN
3. ADJUST HEIGHT ADJUSTER SPACING, **C**, ACCORDING TO FOLLOWING FORMULA

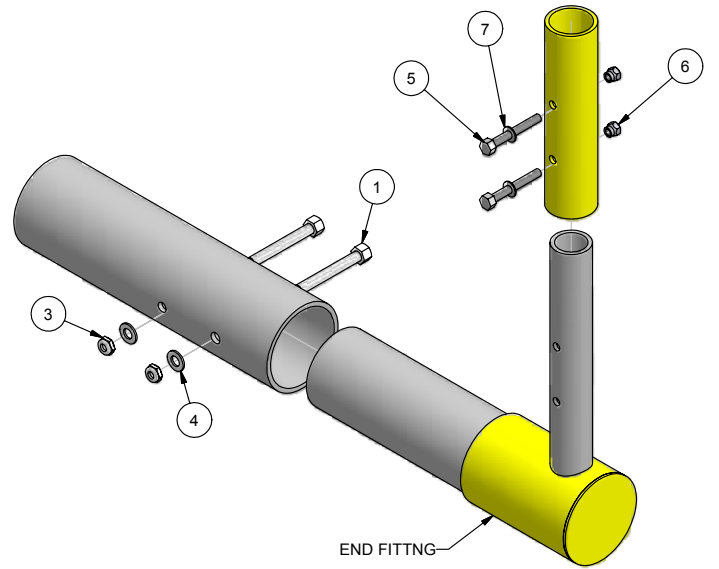
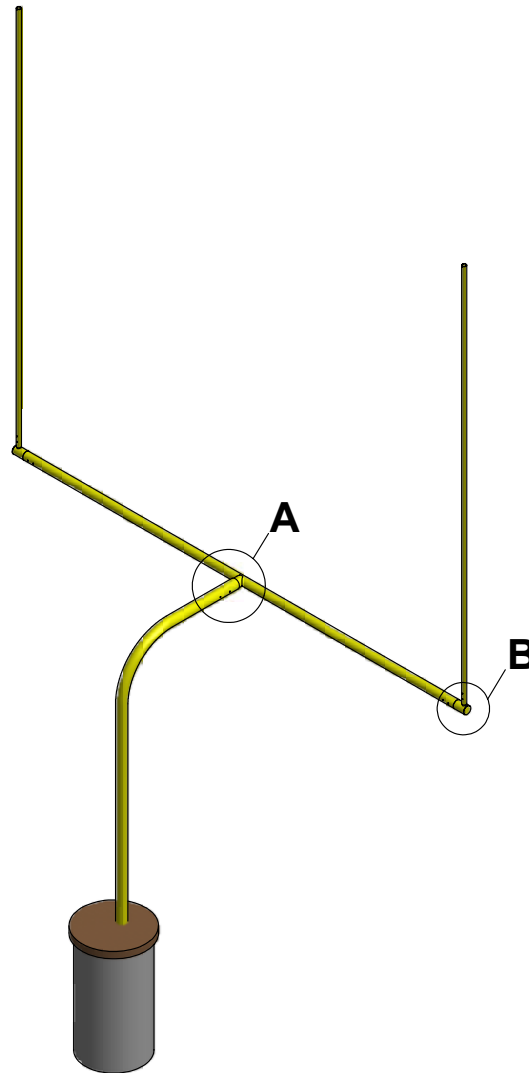
$$C = B - 48''$$
4. INSERT THE HEIGHT ADJUSTER INTO THE BOTTOM OF THE GOOSENECK ORIENTED AS SHOWN. DRILL (2) HOLES (Ø7/32 OR Ø15/64) THROUGH THE GOOSENECK WITHIN 2 TO 3 INCHES FROM THE BOTTOM AND USE THE SUPPLIED 1/4 in SELF TAPPING SCREWS (2x) TO HOLD THE HEIGHT ADJUSTER IN PLACE. SEE **DETAIL B**
5. INSERT GOOSENECK INTO GROUND SLEEVE. ALIGN WITH PLAYING FIELD.
6. PLUMB /CENTER THE GOOSENECK BY ADJUSTING THE 3 JACKING SCREWS.
7. DRILL 11/16" DIA HOLES IN GOOSENECK THROUGH PRE-DRILLED HOLES IN GROUND SLEEVE. INSERT ANTI-ROTATIONAL ROD THROUGH GROUND SLEEVE AND FASTEN BOTH SIDES WITH SUPPLIED NUTS. SEE **DETAIL A**

 976 Hartford Turnpike Waterford, CT 06385 USA (800)243-0533 Fax: (800)888-3063 www.jaypro.com	MODEL NUMBER: FBGPGS-5 GOAL ASSEMBLY	CHECKED BY: BTS
	PRODUCT NAME: FBGPGS-5	
DATE: 3/6/2006	REV: D	DRAWN BY: DC

FBGP-620 FOOTBALL GOAL POST ASSEMBLIES PART LIST



DETAIL A - A



END FITTING

DETAIL B - B

FIGURE 6

PHONE: 800.243.0533 (TOLL FREE) 860.447.3001 (LOCAL)				FAX: 800.444.1779 (SALES) 860.440.0628 (ENG.)	
<small>JAYPRO SPORTS, LLC, 976 HARTFORD TURNPIKE, WATERFORD, CT 06385 USA www.jaypro.com</small>					
DESCRIPTION FBGP620 ASSEMBLY PARTS LIST					
PART NUMBER PAGE THREE			OWN BY DC	CHKD BY BTS	
SIZE B	SCALE N/A	DATE 7/10/2006	REV -	SHEET 1	OF 1
<small>THIS DRAWING IS THE SOLE PROPERTY OF JAYPRO SPORTS INC. AND MAY NOT BE REPRODUCED WITHOUT WRITTEN PERMISSION OR CONSENT</small>					