

ACCESS FRAME KIT FOR INSTALLATION WITH MAX-1 HINGE

FBGPAF-2

Jaypro™

"When The Game Is On The Line"

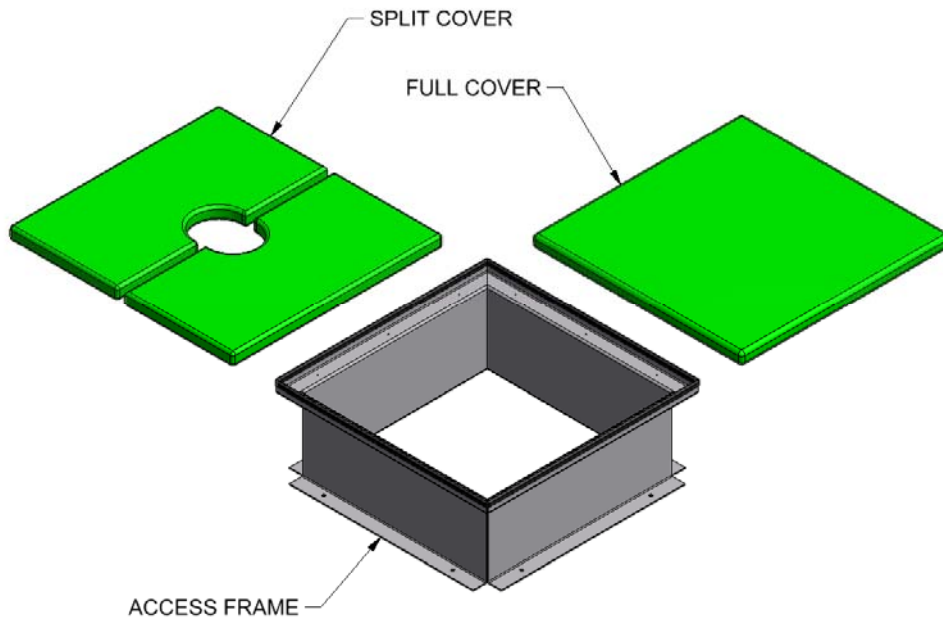


INTRODUCTION

1. THIS ACCESS FRAME IS DESIGNED TO GIVE ACCESS TO THE MOUNTING HARDWARE OF A GOOSENECK GOAL POST INSTALLED USING JAYPRO'S **FOOTBALL HINGE KIT FBHG-1**. THIS ACCESS FRAME PROVIDES THE ADDITIONAL SPACE NEEDED IN THE DEPTH TO ACCOMMODATE THE HINGE AS WELL AS IN THE WIDTH TO INSTALL AND REMOVE THE HINGE PINS.

NOTE: IF YOU ARE NOT INSTALLING A HINGE KIT JAYPRO SELLS A SMALLER ACCESS COVER THAT ALLOW EASY ACCESS TO ANCHORING HARDWARE SEE FBGPAF-1

QTY	DESCRIPTION
2	ACCESS FRAME
2	SPLIT ACCESS COVER
2	FULL ACCESS COVER



OPTIONAL EQUIPMENT

FULL PLUG WITH TURF COVER	FBGPAF-2-3
POLE PLUG WITH TURF COVER	FBGPAF-2-4
FULL PLUG WITHOUT TURF COVER	FBGPAF-2-3A
POLE PLUG WITHOUT TURF COVER	FBGPAF-2-4A

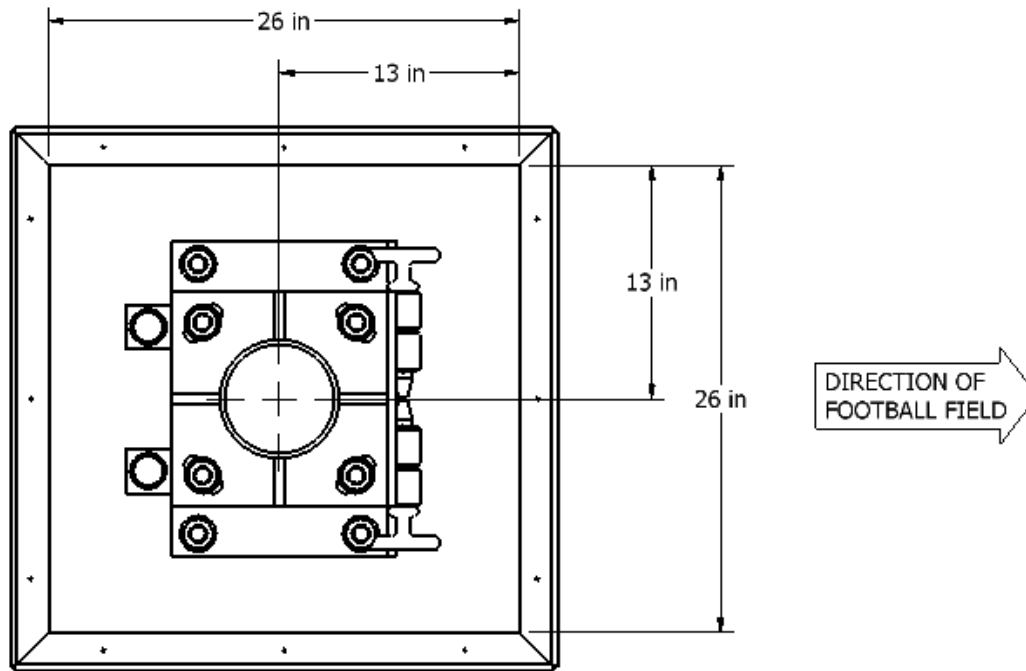


FIGURE 1

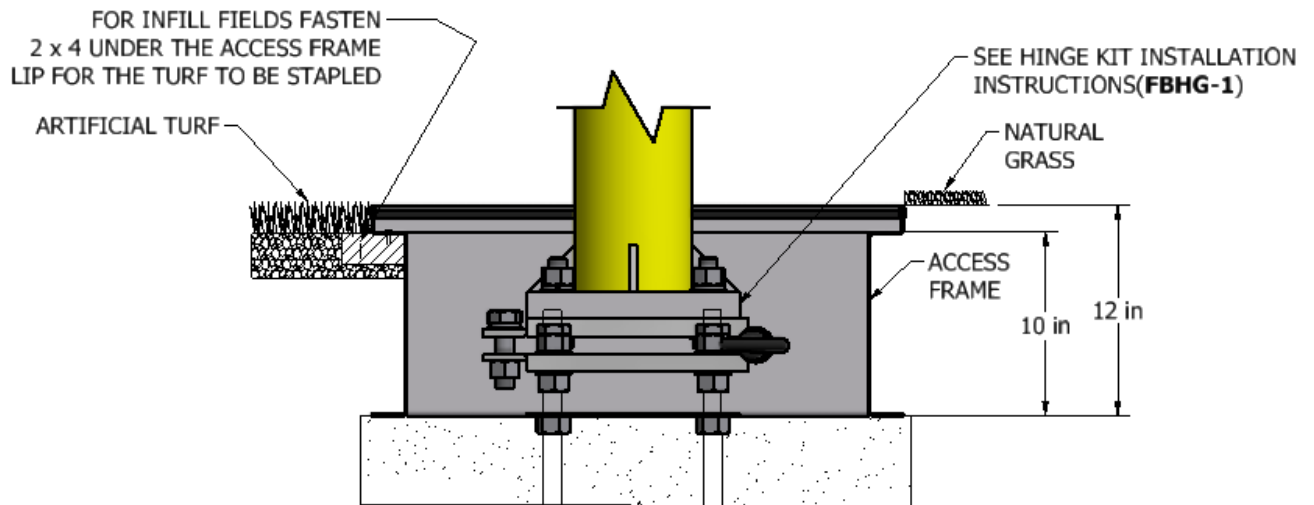


FIGURE 2