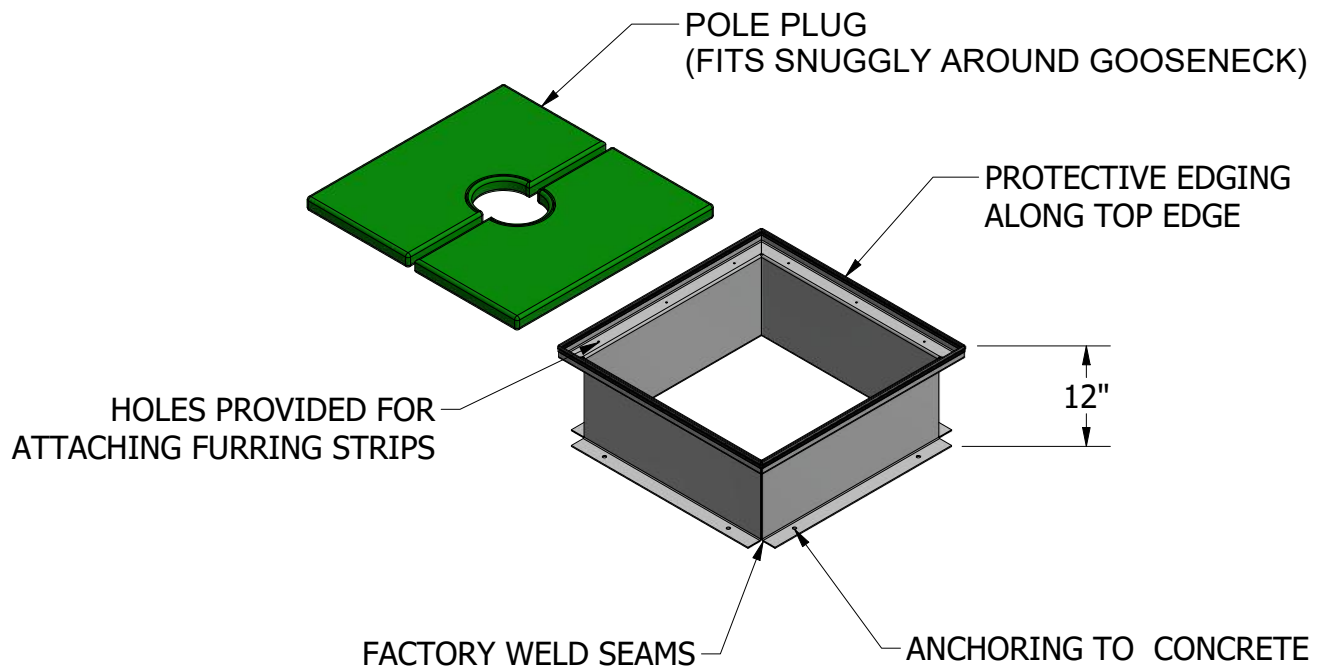


FBGPAF-2 ACCESS FRAME KIT



SPECIFICATIONS:

- 1) ACCESS FRAME MAY BE USED FOR EITHER NATURAL GRASS OR ARTIFICIAL TURF FIELDS.
- 2) 26 inch SQUARE INSIDE DIMENSION OFFERS COMPLETE ACCESS TO GROUND SLEEVE OR HINGE
- 3) OVERALL DEPTH IS 12 INCHES, WORKING DEPTH IS 10 INCHES
- 4) MADE OF 1/8 inch ALUMINUM WITH FACTORY WELDED SEAMS
- 5) PROTECTION OF THE EXPOSED GROUND SURFACE EDGE PROVIDED BY QUICK TRIM PLASTIC EDGING
- 6) 7/16 inch HOLES PROVIDED FOR ANCHORING TO CONCRETE
- 7) 3/16 inch HOLES PROVIDED FOR FURRING STRIP ATTACHMENT
- 8) POLE PLUG COVERED IN ARTIFICIAL TURF ARE INCLUDED WITH KIT
- 9) PLUGS ARE 3/4 inch PRESSURE TREATED PLYWOOD AND ARE AVAILABLE COVERED IN ARTIFICIAL TURF

OPTIONAL EQUIPMENT:

- FBGPAF-2-3 FULL COVER WITH TURF
- FBGPAF-2-4 POLE PLUG WITH TURF



FBGPAF-2

FOOTBALL GOAL POST ACCESS FRAME KIT 26" x 26" x 10"
(FOR USE WITH HINGE KIT)

© COPYRIGHT 2020 JAYPRO SPORTS, LLC. ALL RIGHTS RESERVED THIS PRINT IS THE PROPERTY OF JAYPRO SPORTS, LLC. AND MAY NOT BE REPRODUCED WITHOUT WRITTEN PERMISSION

www.jaypro.com
(800) 243-0533
976 Hartford Turnpike
Waterford, CT 06385 USA

Rev: A

SHEET 1 OF 1