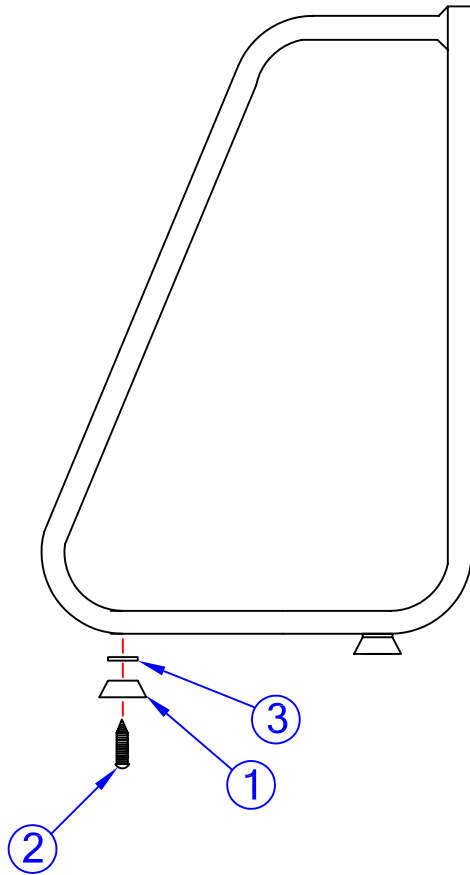


**PLEASE NOTE:**

- 1) FOR SAFE OPERATION AND CONTINUED HIGH PERFORMANCE FROM THIS EQUIPMENT, INSPECTION AND MAINTENANCE MUST BE PERFORMED BEFORE EACH USE
- 2) USE OF THIS EQUIPMENT OTHER THAN INTENDED, MAY BE HAZARDOUS.
- 3) ALTERATION OR MODIFICATION OF EQUIPMENT MAY BE HAZARDOUS. FOR REPAIR OR REPLACEMENT, PLEASE CALL YOUR DEALER

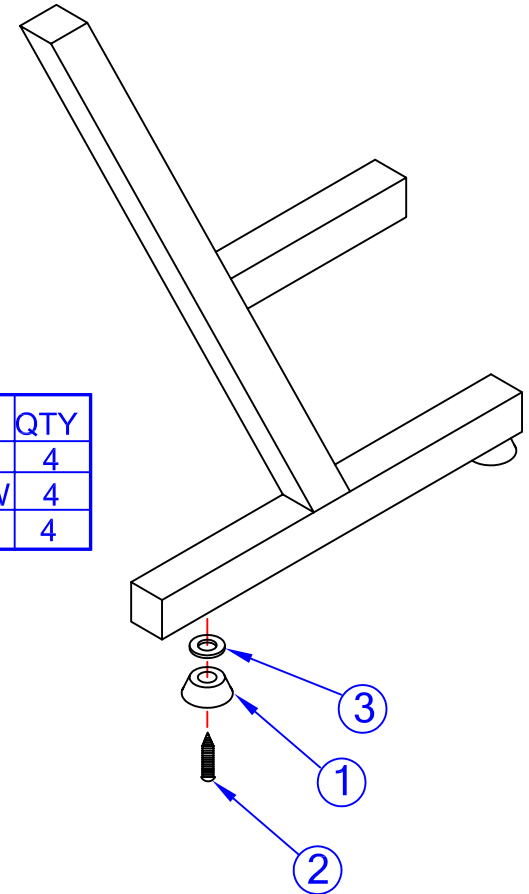
PIECE NO.	PART NO.	DESCRIPTION	QTY
1	RR488	RUBBER FOOT	4
2	HS5144	#8 x 1" SELF DRILLING SCREW	4
3	HW718	FENDER WASHER	4



ON PSS-STYLE PRACTICE GOALS:  
PLACE THE FEET DIRECTLY AFTER  
THE FRONT BEND AND BEFORE THE  
REAR BEND

**IMPORTANT:**

- MEASURE LOCATIONS AND MARK WITH A PENCIL
- DRILL PILOT HOLE
- ASSEMBLE FOOT WITH HARDWARE
- DO NOT OVERTIGHTEN



ON PORTABLE BENCH LEGS:  
PLACE THE FEET 2" IN FROM  
EACH END

# Jaypro Sports

976 Hartford Turnpike  
Waterford, CT 06385 USA  
(800)243-0533  
(800)988-3363 Fax  
www.jaypro.com

MODEL NO.:  
**PSS-4FT**

PRODUCT NAME:  
**FOOT KIT**

DRAWN BY: JAC

EFFECTIVE DATE:  
**4-29-03**