



JAYPRO PVB SERIES SECOND FLOOR INTERNATIONAL NET SYSTEM

Installation and Operating Instructions

Applicable Part Numbers/Models:

PVB-2500: Second Floor International Net System

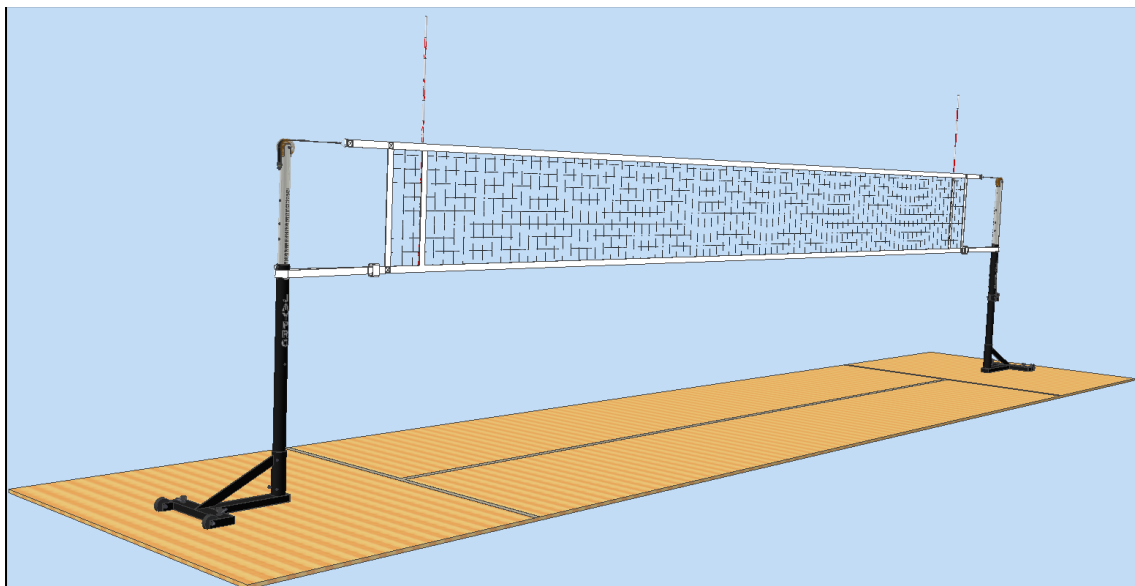


Table of Contents

1	Safety	1
2	Specifications	1
3	Introduction	2
4	Required Tools	4
5	Included Hardware & Components	4
	5.1 System Components	4
	5.2 Hardware	6
6	Assembly	7
7	Maintenance	11

1 Safety

- **WARNING:** Do not attempt to remove the height adjuster pin if the net is under tension.
- **WARNING:** Always use protective padding around each upright during use.
- **WARNING:** Uprights are heavy. Do not attempt to lift or install without assistance.
- **IMPORTANT:** Follow all warning labels on equipment.
- **IMPORTANT:** Inspect for damage before and after each use.
- **IMPORTANT:** Do not use unless installed into floor anchors.

2 Specifications

	UPRIGHT OUTER DIAMETER	HEIGHT RANGE	# OF POSITIONS	WEIGHT	UPPER UPRIGHT MATERIAL	LOWER UPRIGHT MATERIAL
PVB-2500	3-1/2" (89mm)	6'6" to 8'2" (1.8m to 2.5m)	16 Pin Stops	145 lbs (66kg)	Aluminum 6063	Aluminum 6063

3 Introduction

Note: The Flex Net supplied with this system will stretch slightly during the first few uses. This is a natural consequence of the headband fibers being stretched under tension. During this break-in period, the headband and net body may sag during use. Simply increase tension to remove the sag. A more traditional cable net PVBN-5 may be used in place of the PVBN-6 flex net.

These instructions assume that the appropriate floor anchors have been correctly installed:

- The anchors must be internally threaded with 1/2"-13 threads
- The anchors must be installed 17" apart on center (see Figure 3-1).
- The nets will work with upright standards spaced 35' to 37' apart on center¹.

Please consult the instructions and specifications supplied with your floor anchors for more information.

If you require additional information or support to install or operate your volleyball system, please contact the Jaypro Sports customer support team, Monday through Friday, 8:30AM to 5:00 PM (EST), at 1-800-243-0533.

¹ NCAA and NFHS rules require that the upright standards must be installed at least 3'3" (1m) outside the court boundaries. Jaypro recommends 36' spacing on center to satisfy both regulations.

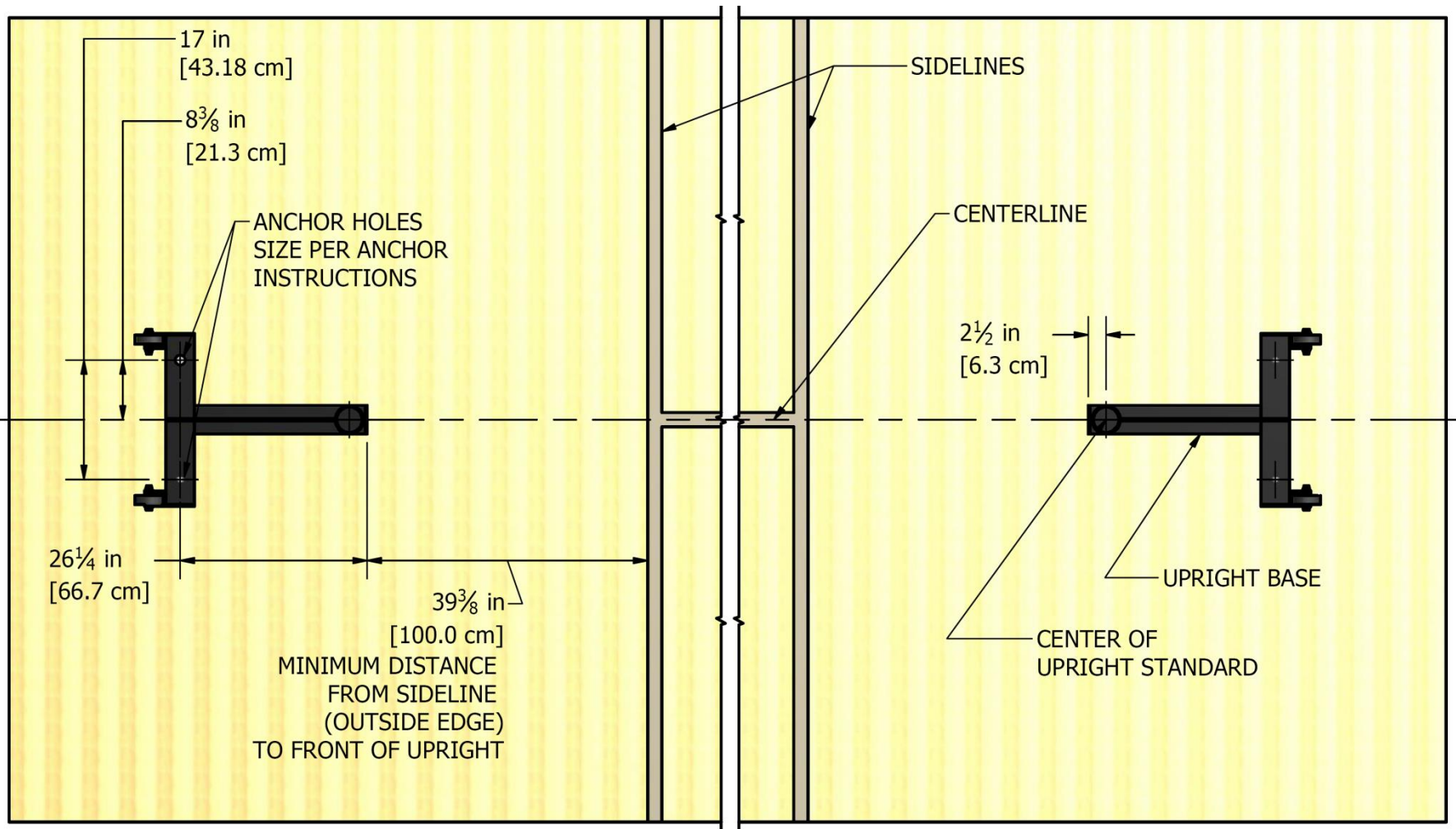


Figure 3-1: Correct floor anchor layout.

Refer to instructions included with floor anchors for anchor installation details.

4 Required Tools

Before continuing, please verify that you have the following tools required to complete the installation and setup of your PVB Series Collegiate Net System.

- Adjustable wrench
- Hex keys – 3/16", 5/16"

5 Included Hardware & Components

Before continuing, please open all packages to verify that you have all the required hardware for installation and setup. If any of the following items are missing, contact the Jaypro Sports customer support team, Monday through Friday, 8:30AM to 5:00 PM (EST), at 1-800-243-0533.

5.1 System Components



Figure 5-1: PVB-2500 Standard Upright (PVB250B, 2X)



Figure 5-2: T-Base (PVB-35TB, 2X)



Figure 5-3: Winch with strap (PVBWINCH, 1X).

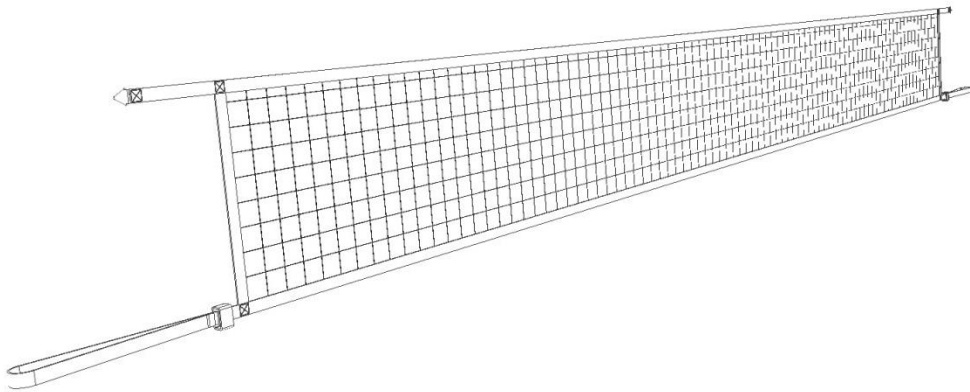


Figure 5-4: Flex-Net (PVBN-6, 1X) For alternative net PVBN-5 see net install.

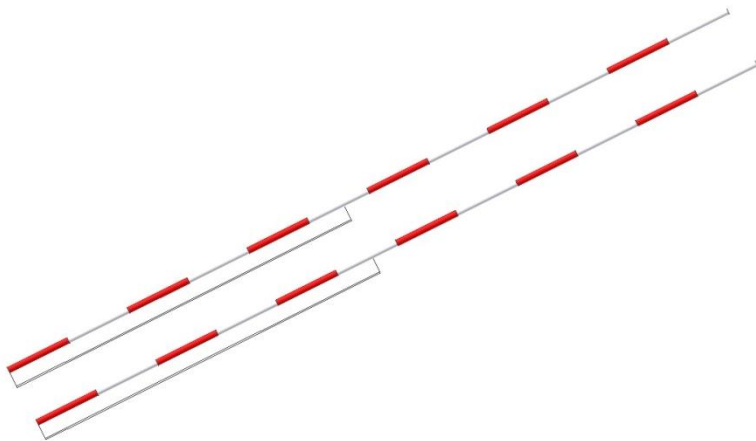


Figure 5-5: Antennae and Net Tapes (VBA-4, 1 pair)



Figure 5-6: Anchor Strap (PVB-604, 1X)

5.2 Hardware



Figure 5-7: Socket Cap Screw (HS5098, 1X)



Figure 5-8: Button-Head Cap Screw (HS5201, 1X)



Figure 5-9: Acorn Nut (HN809, 2X)



Figure 5-10: Spacer Bearing (HM6347, 1X)

6 Assembly

WARNING: Uprights are heavy. Do not attempt to lift or install without assistance.

1. Install each upright into the t-bases and tighten each square headed set screw.
2. Follow instructions included with winch to set the winch clamp to the correct upright diameter (3-1/2").
3. Install winch to one upright using the socket cap screws (Figure 6-1, item 2).
- 2).
3).
4).
2).
4).
4-1).

ITEM	QTY	PART NUMBER	DESCRIPTION
1	1	HN809	Acorn Nut
2	1	HS5098	Socket Head Cap Screw
3	2	PVB250B	PVB-2500 Standard Upright
4	1	PVBWINCH	Volleyball Winch
4-1	2	N/A	Clamp Bolt - Included with PVBWINCH

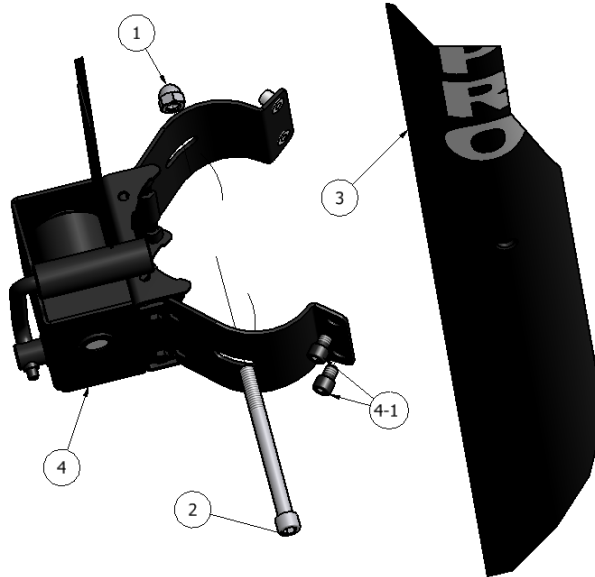


Figure 6-1: Winch installation.

5. Install the anchor strap to the upright without the winch (Figure 6-2).

ITEM	QTY	PART NUMBER	DESCRIPTION
1	2	HN809	Acorn Nut
2	2	PVB250B	PVB-2500 Standard Upright
3	1	HS5201	Cap Screw - Socket - Button Head - 3/8"-16 x 3.5"
4	1	PVB-604	Anchor Strap Assembly
5	1	HM6347	Spacer Bearing

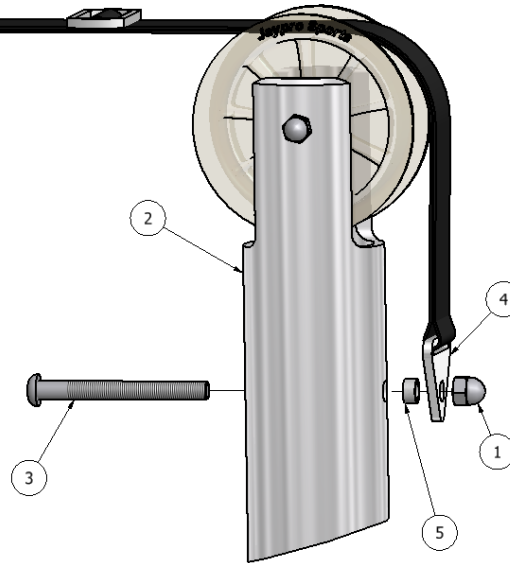


Figure 6-2: Install anchor strap.

6. Roll the standards into position with the hand knob assemblies directly over the floor anchors.
7. Thread the hand knob into the anchor; be sure to get at least $\frac{3}{4}$ " of thread engagement (Figure 6-3). Tighten locking handle to lock and knob in place.

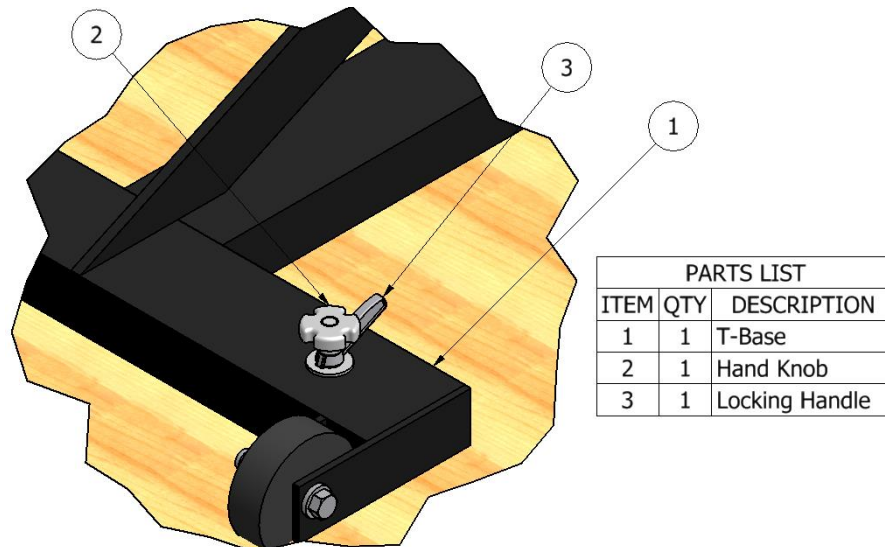


Figure 6-3: Installing t-base into floor anchors.

8. Set the height of the uprights using the installed height adjust pin (Figure 6-4).

WARNING: Do not attempt to remove the height adjuster pin if the net is under tension.



Figure 6-4: Set upright height.

9. Attach one end of net to anchor strap, then attach other end to winch strap (Figure 6-5). **For alternative net PVBN-5, see net install from this point.**

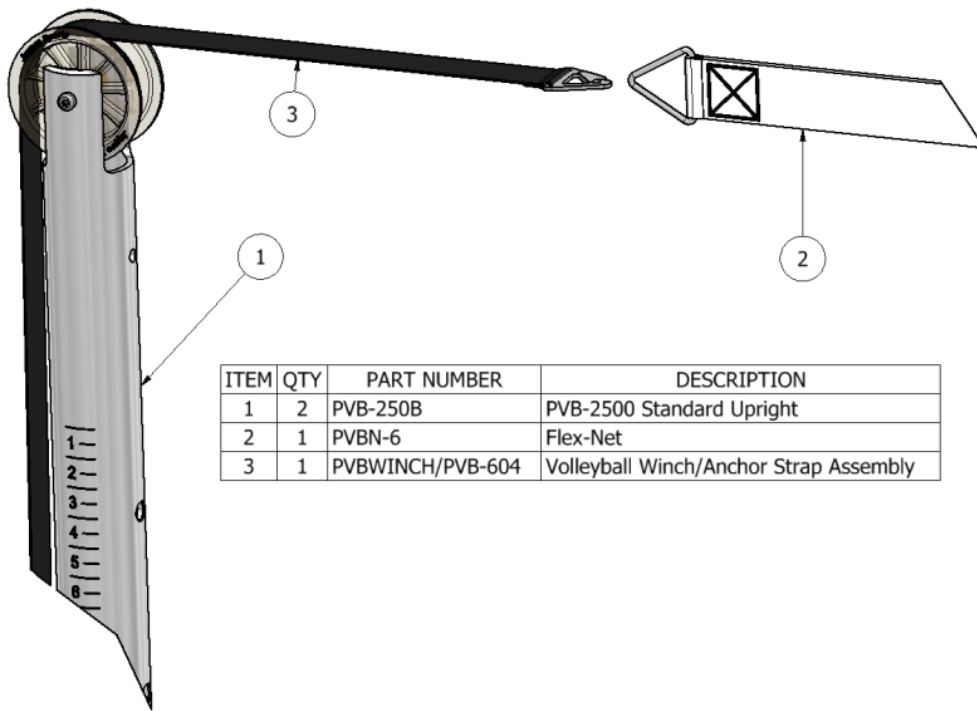


Figure 6-5: Attach net to straps.

10. Adjust the length of the anchor strap as necessary to center net on court.
*****The net will stretch ~6 – 8 inches when tension is applied so you must factor this in before applying tension when centering the net.**
11. Tension the net by turning the winch handle clockwise². Adjust anchor strap as necessary to keep net centered.
12. Verify net heights and net centering. The uprights will deflect inward and downward due to net tension; you may need to adjust their heights and/or re-center the net.
13. Attach the bottom net straps to each upright as shown in Figure 6-6. Wrap Velcro straps around buckles for additional player safety.

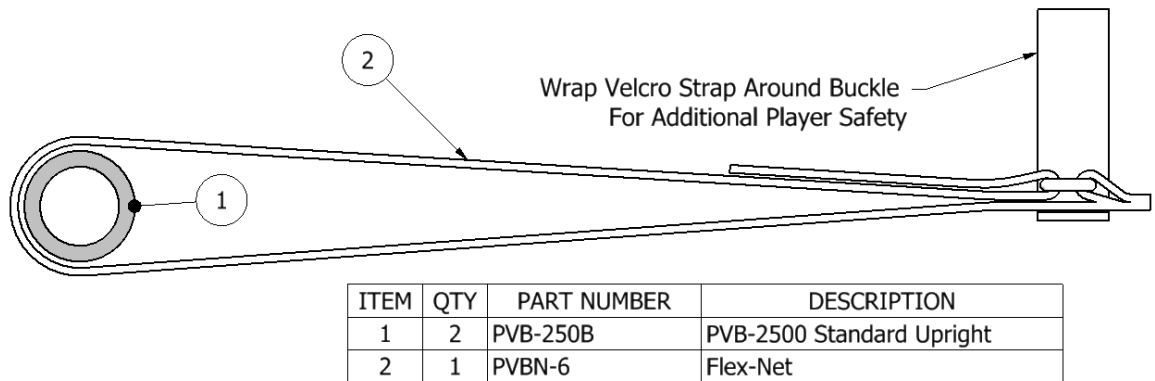


Figure 6-6: Secure bottom net straps to uprights.

14. Attach net antennae and tapes according to instructions included with antennae set.
15. Install pads (PVB-60P) around each upright and base pad (PVB-25P).

² NCAA and NFHS rules stipulate that there be no more than 3/4" of sag in the net headband when fully tensioned.



7 Maintenance

Your PVB Series Second Floor International Net System is designed to provide years of play; however, it is recommended that the components be inspected at least once every season, for signs of excessive wear. Key areas to inspect include (but are not limited to):

- Strap webbing
- Net
- Spring clips and D-rings
- Winch mechanism
- Screws and nuts

If you require additional information or support maintaining your volleyball system, please contact the Jaypro Sports customer support team, Monday through Friday, 8:30AM to 5:00 PM (EST), at 1-800-243-0533.