



# PVB-CENTER PACKAGE FOR 2<sup>nd</sup> FLOOR SYSTEMS



## APPLICABLE MODELS

PVBC-250

PVBC-270

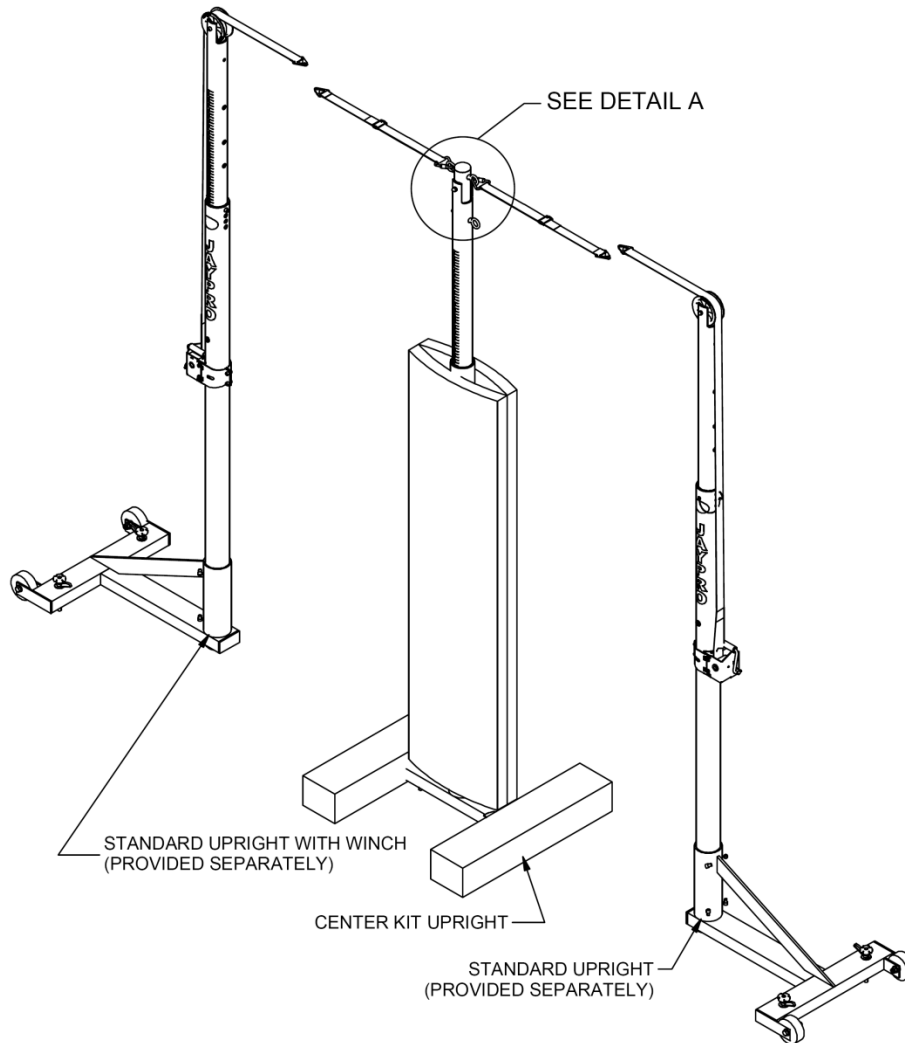
JAYPRO SPORTS PHONE 800-243-0533 FAX 800-444-1779  
WWW.JAYPRO.COM

## The DOUBLE COURT

A double court set up is made up utilizing a regular single court set of standards and the Center Court Package (PVBC-250 or PVBC-270). A complete Center Court Package is shown on page 3. Any and all parts are available through your dealer or by contacting Jaypro Sports directly at 800-243-0533 and on the web at [www.jaypro.com](http://www.jaypro.com). Our knowledgeable sales staff will be happy to assist you and make sure you have everything you need to set up a complete Double Court. Jaypro equipment is produced to high standards to give you years of safe play.

## IMPORTANT

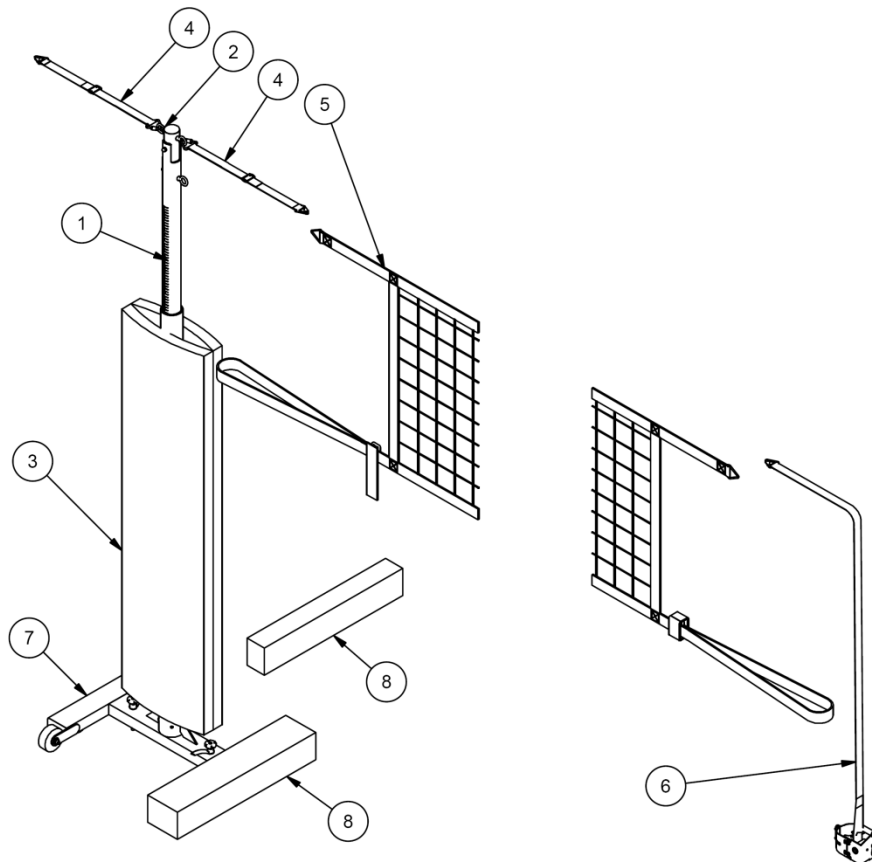
The side by side systems must be tensioned simultaneously to prevent over tensioning the end standards.



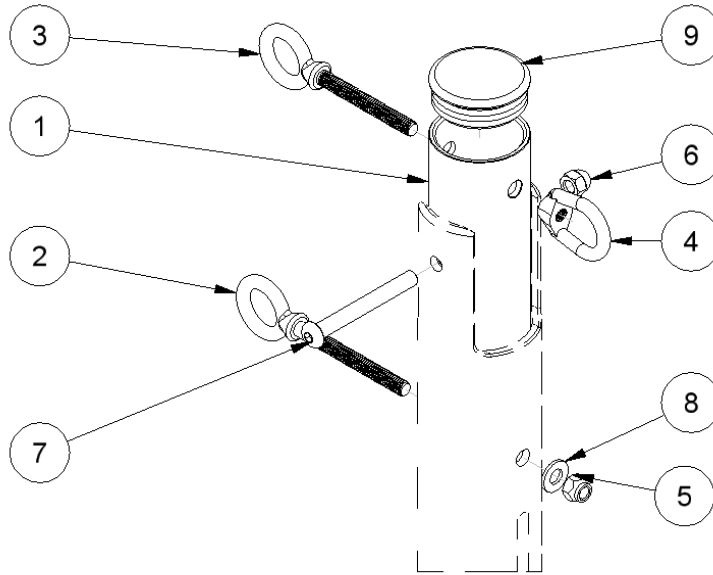
## SAFETY

1. FOR SAFE OPERATION AND CONTINUED HIGH PERFORMANCE FROM THIS EQUIPMENT, INSPECTION AND MAINTENANCE MUST BE PERFORMED BEFORE EACH USE.
2. USE OF THE EQUIPMENT OTHER THAN INTENDED, MAY BE HAZARDOUS.
3. ALTERATION OR MODIFICATION OF EQUIPMENT MAY BE HAZARDOUS. FOR REPAIR OR REPLACEMENT, PLEASE CALL YOUR DEALER.

## CENTER KIT PACKAGE



ITEM	QTY	DESCRIPTION
1	1	3 ½ in UPRIGHT
2	1	CENTER UPRIGHT KIT
3	1	CENTER PAD
4	2	CENTER STRAP
5	1	FLEX-NET
6	1	VOLLEYBALL WINCH
7	1	BASE
8	2	CENTER BASE PAD



**DETAIL A**  
**CENTER ADAPTER KIT**

<b>ITEM</b>	<b>QTY</b>	<b>DESCRIPTION</b>
1	1	CENTER UPRIGHT INSERT
2	1	EYEBOLT 3/8-16 x 3 1/2in
3	1	EYEBOLT 3/8-16 x 3 in
4	1	EYE NUT 3/8-16
5	1	NYLOCK NUT 3/8-16
6	1	ACORN NUT 3/8-16
7	1	BUTTON HEAD SCREW 3/8-16
8	1	FLAT WASHER 3/8 in
9	1	CAP

## Installation of Floor Anchors

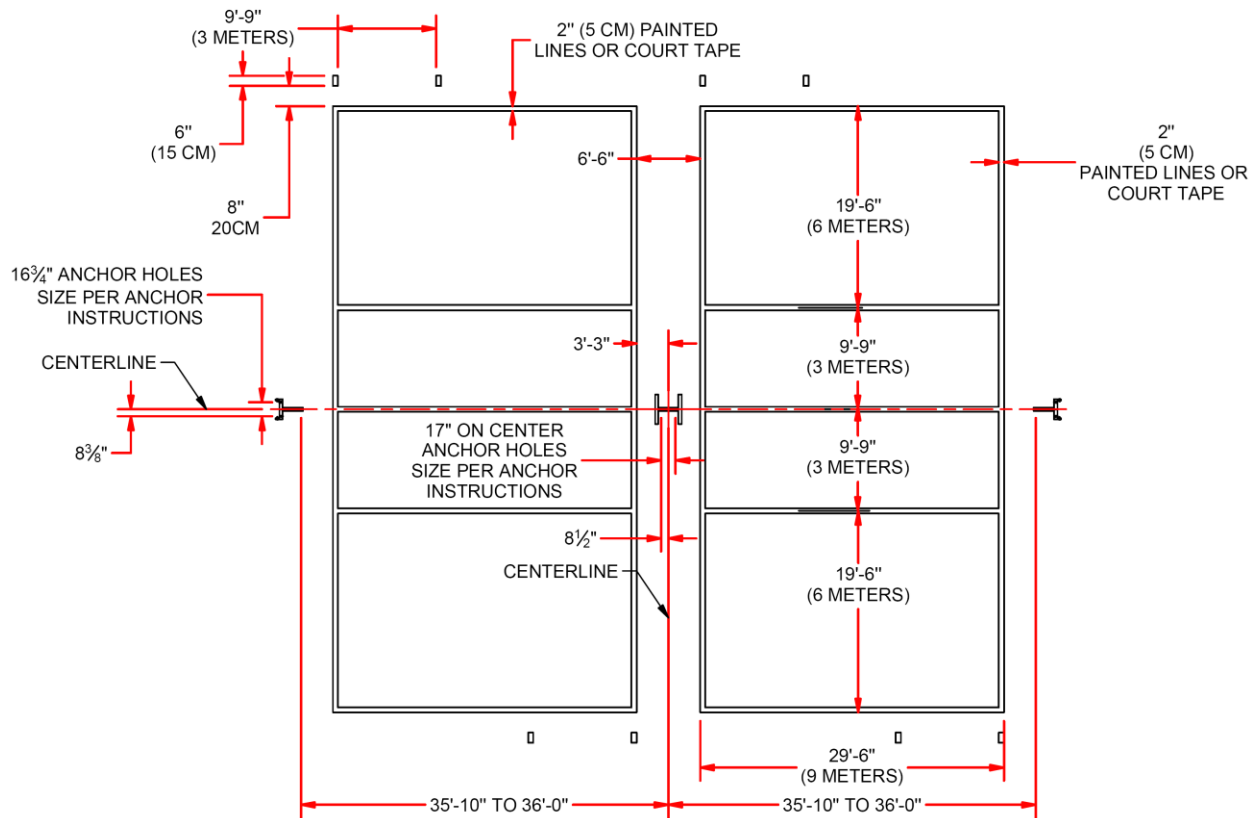
1. Install the floor anchors in accordance with the instructions provided with the anchors.
2. Refer to the floor layout, as shown on page 5, for proper location of the anchors.
3. Double check the anchor locations by placing the base over the planned spots.

## ASSEMBLY INSTRUCTIONS

1. Unpack unit and check to see that unit is undamaged and complete as shown. Read all assembly instructions and caution labels carefully.
2. Unit is designed to fit a 3 1/2 in diameter 10 inch deep sleeve. Refer to the Double Court Layout Illustration for location of ground sleeves.

3. Uprights are heavy and it is imperative to have two persons lift and place into ground sleeve. Final configuration will have a Volleyball winch on each outside standard.
4. Assemble Center Standard as shown in Detail A. Refer to the system installation instructions to assemble the outer uprights.
5. Position the base over the anchors and secure it in place.
6. Insert the center upright into the base and position the eyebolts in line with the net. Secure the upright in place by tightening down the four (4) set screws.
7. Install the pads around the upright and over the base as shown on page 2.

## DOUBLE COURT LAYOUT FOR PVB-2500 / PVB-2700



COURT DIMENSIONS SHOWN COMPLY WITH SPECIFICATIONS FOR:

U.S.V.B.A

F.I.V.A.

N.C.A.A.

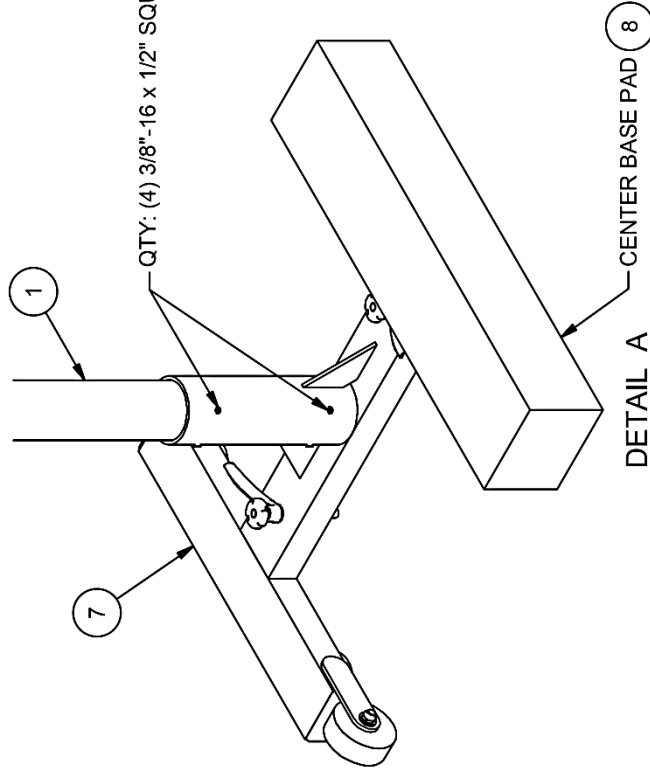
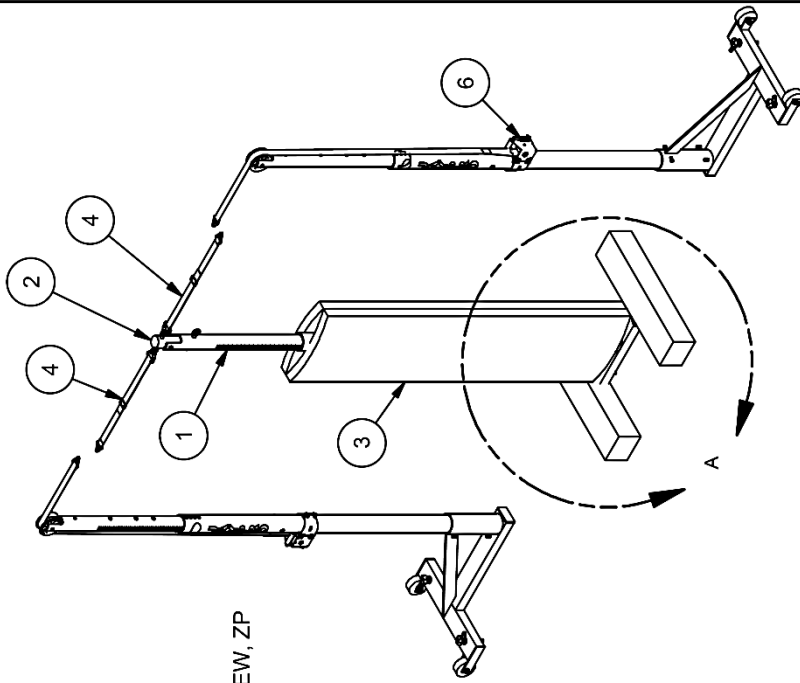
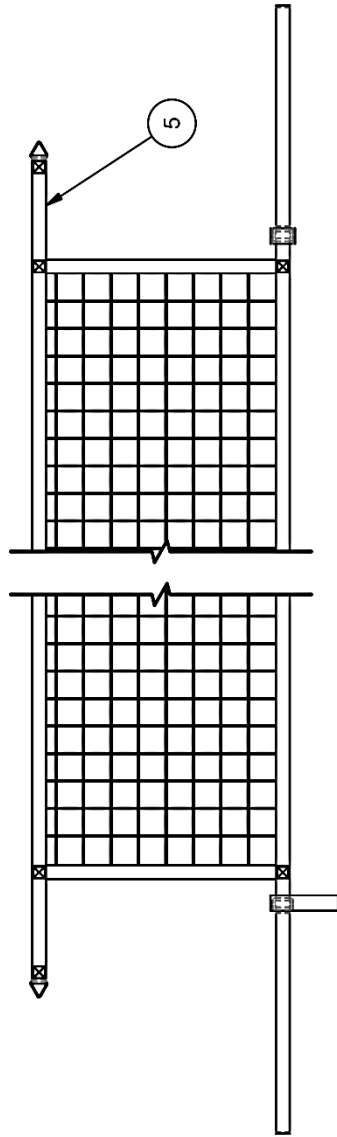
COURT SIZE SPECIFICATIONS FOR THE N.F.S.H.S.A. ARE 30' W x 60'L

CENTER LINE TO BE 4" WIDE

SPIKE LINE TO BE 10' FROM CENTER LINE

SERVING AREA TO BE 10' LONG


Parts List			
ITEM	QTY	PART #	DESCRIPTION
1	1	PVB-U*	CENTER STANDARD UPRIGHT (SEE NOTE)
2	1	PVB-35C	PVB CENTER UPRIGHT KIT 3 1/2 OD
3	1	PVB-100CP	CENTER STANDARD PAD
4	2	PVB600C2	CENTER STRAP ASSEMBLY
5	1	PVB-N6	Flex-Net
6	1	PVBWINCH	VOLLEYBALL WINCH
7	1	PVB-250CK	H-FRAME BASE FOR PVB-C-250/270
8	2	PVB-40CP	CENTER BASE PAD



QTY: (4) 3/8"-16 x 1/2" SQUARE HD SET SCREW, ZP

\*NOTE:  
 - PVB-250U FOR PVB-C-250  
 - PVB-270U FOR PVB-C-270

Table	
MODEL #	MODEL NAME
PVBC-250	Second Floor Pin Stop Center Package
PVBC-270	Second Floor Infinitely Adjustable Center Package

 Jaypro Sports 376 Hartford Turnpike Wallingford, CT 06495 USA (800)243-0533 Fax: (800)986-3363 www.jaypro.com	MODEL NUMBER: PVBC-250 / PVBC-270	CHECKED BY: WVW
PRODUCT NAME: CENTER PACKAGE INSTALLATION		
DATE: 11/25/2013	REV: -	DRAWN BY: Moune T.
		SHEET: 1 OF 1