



PVB-CENTER PACKAGE



APPLICABLE MODELS

PVBC-150

PVBC-450

PVBC-500

PVBC-650

PVBC-700

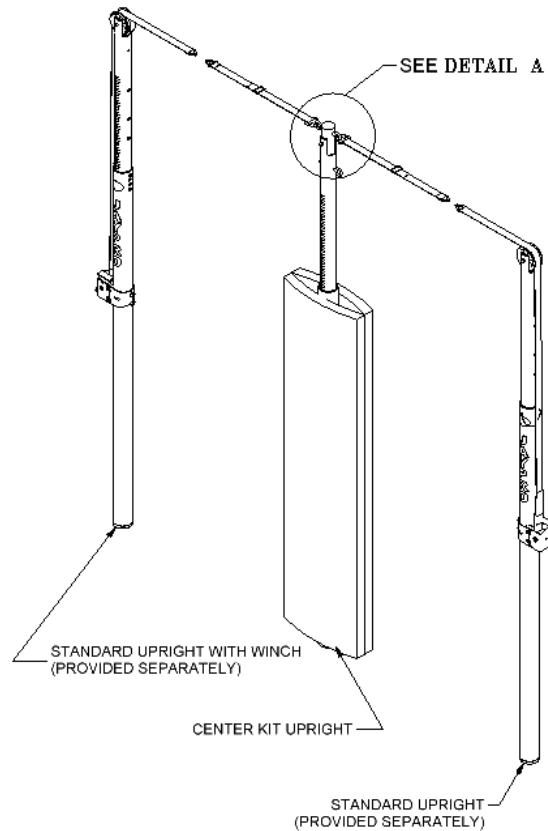
JAYPRO SPORTS PHONE 800-243-0533 FAX 800-444-1779
WWW.JAYPRO.COM

The DOUBLE COURT

A double court set up is made up utilizing a regular single court set of standards and the Center Court Package (PVBC-###). A complete Center Court Package is shown on page 3. Any and all parts are available through your dealer or by contacting Jaypro Sports directly at 800-243-0533 and on the web at www.jaypro.com. Our knowledgeable sales staff will be happy to assist you and make sure you have everything you need to set up a complete Double Court. Jaypro equipment is produced to high standards to give you years of safe play.

IMPORTANT

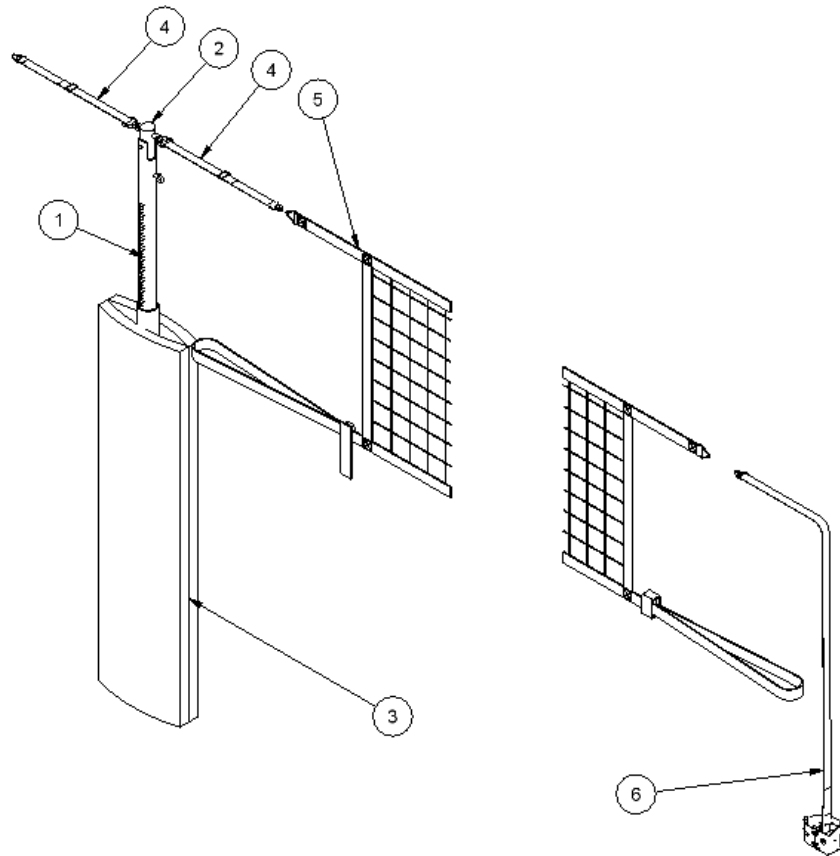
The side by side systems must be tensioned simultaneously to prevent over tensioning the end standards.



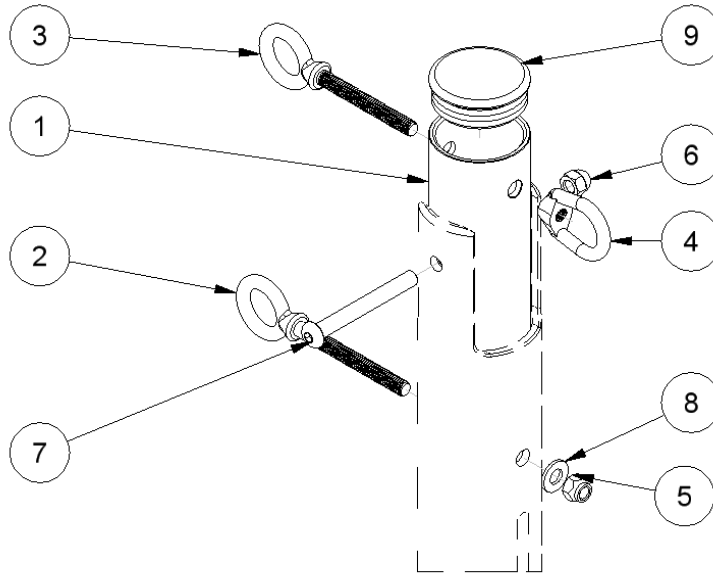
SAFETY

1. FOR SAFE OPERATION AND CONTINUED HIGH PERFORMANCE FROM THIS EQUIPMENT, INSPECTION AND MAINTENANCE MUST BE PERFORMED BEFORE EACH USE.
2. USE OF THE EQUIPMENT OTHER THAN INTENDED, MAY BE HAZARDOUS.
3. ALTERATION OR MODIFICATION OF EQUIPMENT MAY BE HAZARDOUS. FOR REPAIR OR REPLACEMENT, PLEASE CALL YOUR DEALER.

CENTER KIT PACKAGE



ITEM	QTY	DESCRIPTION
1	1	3 ½ in UPRIGHT
2	1	CENTER UPRIGHT KIT
3	1	CENTER PAD
4	2	CENTER STRAP
5	1	FLEX-NET
6	1	VOLLEYBALL WINCH



DETAIL A
CENTER ADAPTER KIT

ITEM	QTY	DESCRIPTION
1	1	CENTER UPRIGHT INSERT
2	1	EYEBOLT 3/8-16 x 3 1/2in
3	1	EYEBOLT 3/8-16 x 3 in
4	1	EYE NUT 3/8-16
5	1	NYLOCK NUT 3/8-16
6	1	ACORN NUT 3/8-16
7	1	BUTTON HEAD SCREW 3/8-16
8	1	FLAT WASHER 3/8 in
9	1	CAP

ASSEMBLY INSTRUCTIONS

1. Unpack unit and check to see that unit is undamaged and complete as shown. Read all assembly instructions and caution labels carefully.
2. Unit is designed to fit a 3 1/2 in diameter 10 inch deep sleeve. Refer to the Double Court Layout Illustration for location of ground sleeves.
3. Uprights are heavy and it is imperative to have two persons lift and place into ground sleeve. Final configuration will have a Volleyball winch on each outside standard.
4. Assemble Center Standard as shown in Detail A. Refer to the system installation instructions to assemble the outer uprights.

The DOUBLE COURT LAYOUT

