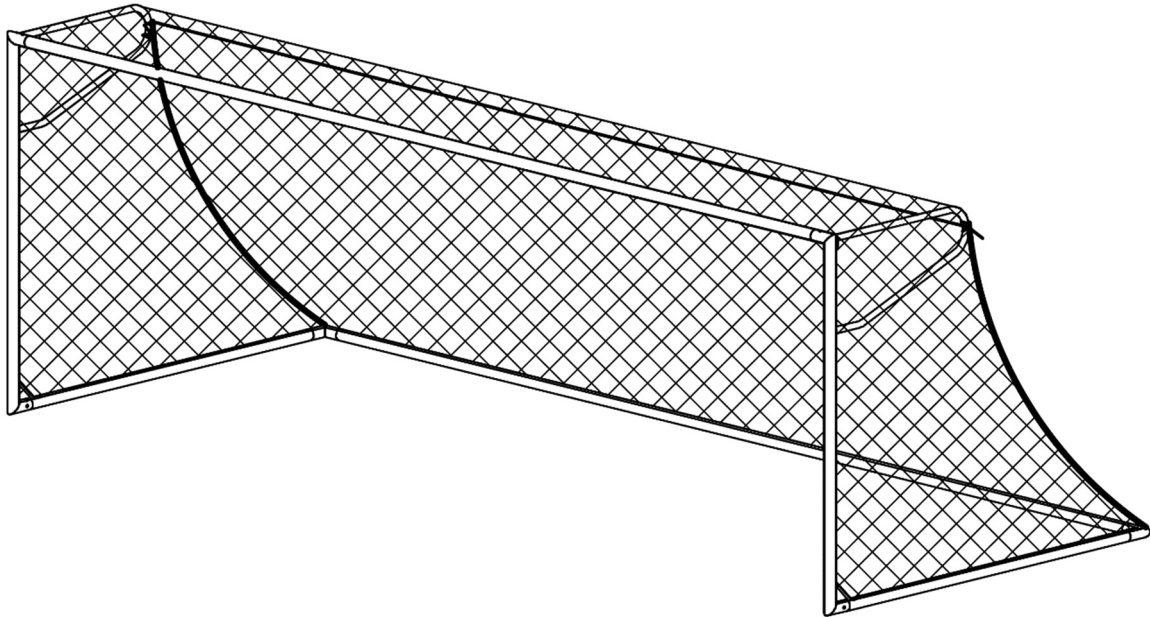




-- CLUB GOALS --
(NOVA CLUB™ ROUND)
Installation Instructions

NOVA CLUB™ ROUND:

RCG-6S, RCG-9S, RCG-12S, RCG-18S, RCG-21S, RCG-24S

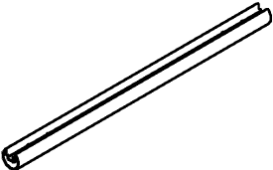
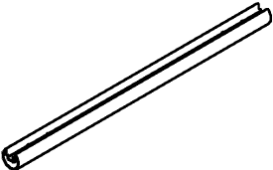
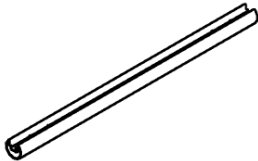

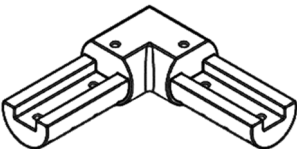
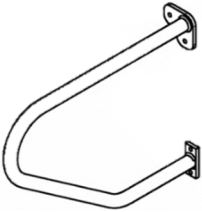
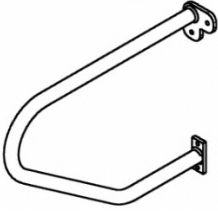


Jaypro strongly recommends that all portable soccer goals be anchored, to prevent accidental tip-over and serious injury. Never climb, or allow anyone else to climb on the frame or net.

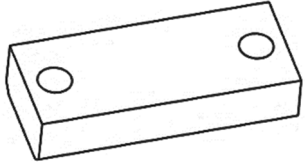





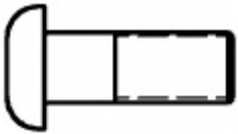
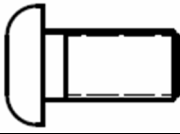

Call Jaypro Sports Equipment at 1-800-243-0533 during regular business hours for technical support.

www.jaypro.com

JAYPRO SPORTS
NOVA CLUB™ ROUND
(QTY: SINGLE GOAL)

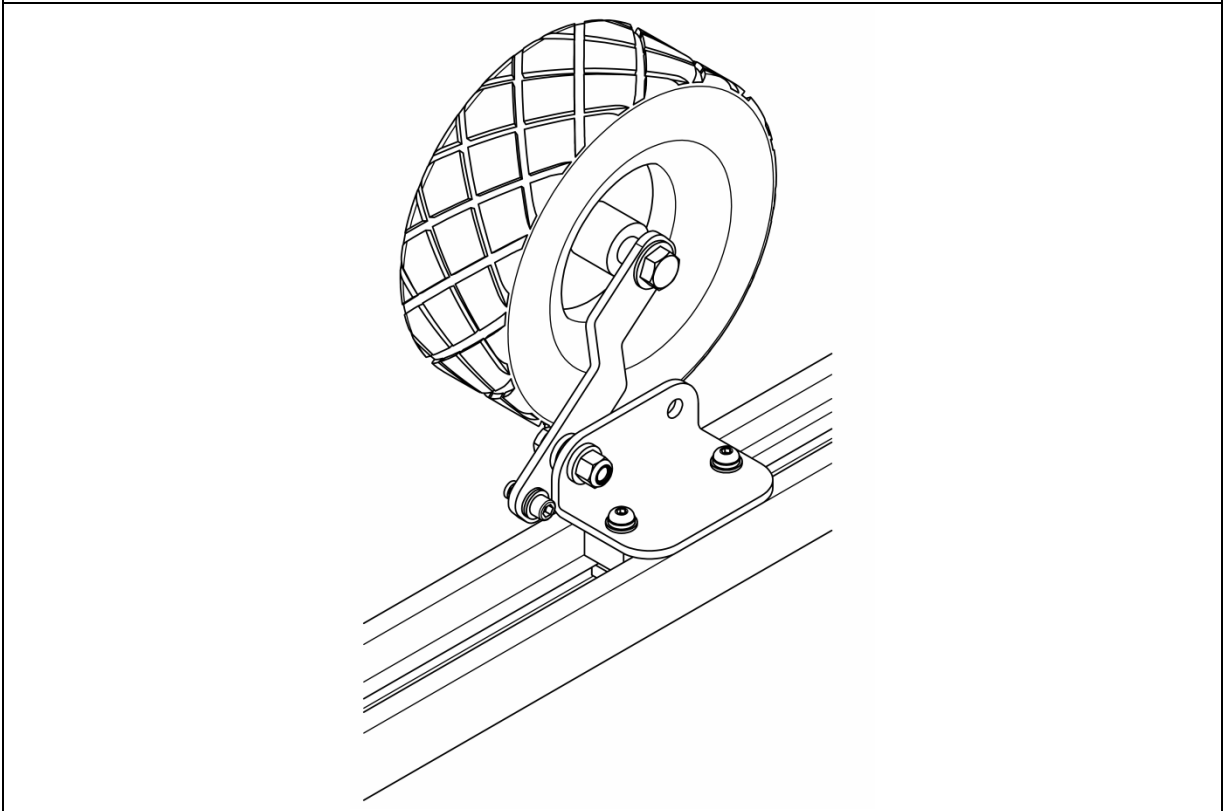
ITEM	IMAGE	DESCRIPTION	QTY
1		SOCCER CROSSBAR <i>(SEE CHART ON PAGE 5 OF 12)</i>	1
2		SOCCER UPRIGHT <i>(SEE CHART ON PAGE 5 OF 12)</i>	2
3		SOCCER BASE <i>(SEE CHART ON PAGE 5 OF 12)</i>	2
4		CAST CORNER TWO WAY <i>(P/N: SG-K)</i>	2
5		CAST CORNER THREE WAY <i>(P/N: SG-J)</i>	4
6		EUROPEAN BACKSTAY LEFT * <i>(P/N: SG-EBSAL, SG-EBSBL or SG-EBS4L)</i>	1
7		EUROPEAN BACKSTAY RIGHT* <i>(P/N: SG-EBSAR, SG-EBSBR or SG-EBS4R)</i>	1
ITEM	IMAGE	DESCRIPTION	QTY

*EUROPEAN BACKSTAYS;
 SG-EBSA (L and R) used on RCG6S, 9S, 12S and 18S
 SG-EBSB (L and R) used on RCG21S
 SG-EBS4 (L and R) used on RCG24S

8		BACKSTAY SPACER (P/N: AR5304)	2
9		3/8\"-16 TAP SPACER (P/N:AR5303)	2
10		AUXILIARY SOCCER BACKSTAY (P/N: RCG-BRACE)	2
11		3/8\" FLAT SAE, SS (P/N: HW2151)	32
12		3/8\" MEDIUM SPLIT LOCK WASHER, SS (P/N: HW2152)	32
13		3/8\"-16 x 1 3/4\" BUTTON HEAD, SS (P/N: HS5245)	8
14		3/8\"-16 x 1 1/4\" BUTTON HEAD, SS (P/N: HS5225)	4
15		3/8\"-16 x 3/4\" BUTTON HEAD, SS (P/N: HS5228)	20
16		Product Labels (See page 12 to identify the correct product label)	
ITEM	IMAGE	DESCRIPTION	QTY

- Unpack all parts and check against parts list to ensure that all have been included.
- Inspect all parts for damage. Report any damages to the trucking company.
- * Extra screws are included, discard or stow away as needed.

OPTIONAL WHEEL KIT FOR PORTABLE SOCCER GOALS (P/N: NSGWK)



NOTE: Kit includes four wheel assemblies. Wheel assemblies may be used in pairs, (i.e. two per goal) which would require lifting one end of goal to move. Alternately, four wheel assemblies may be installed on a soccer goal to avoid the need to lift. At least two people are required to properly move a soccer goal, to prevent personal injury or damage to the goal.

3" ROUND EXTRUDED ALUMINUM PIPE LENGTH						
	RCG-6S	RCG-9S	RCG-12S	RCG-18S	RCG-21S	RCG-24S
UPRIGHTS	43" LONG <i>(P/N:SG-090)</i>	49" LONG <i>(P/N:SG-084)</i>	73" LONG <i>(P/N:SG-094)</i>	73" LONG <i>(P/N:SG-094)</i>	79" LONG <i>(P/N:SG-083)</i>	91" LONG <i>(P/N:SG-082)</i>
CROSSBARS	70" LONG <i>(P/N:SG-091)</i>	106" LONG <i>(P/N:SG-092)</i>	142" LONG <i>(P/N:SG-088)</i>	220" LONG <i>(P/N:SG-085)</i>	250" LONG <i>(P/N:SG-093)</i>	286" LONG <i>(P/N:SG-095)</i>
BASES	52" LONG <i>(P/N:SG-089)</i>	52" LONG <i>(P/N:SG-089)</i>	64" LONG <i>(P/N:SG-086)</i>	64" LONG <i>(P/N:SG-086)</i>	88" LONG <i>(P/N:SG-087)</i>	106" LONG <i>(P/N:SG-092)</i>

IMPORTANT NOTICE:

1. Soccer goals must be securely anchored at all times.
2. Before each use, check to make sure all Safety/Warning labels are present and legible (see label placement drawing). If any are missing, contact your dealer or Jaypro Sports for replacement Safety / Warning labels.
3. Before each use, thoroughly inspect each goal to ensure it is properly anchored, and all hardware is secured. Inspect all components for structure integrity. Replace any damaged or missing part or fasteners before using. Contact your dealer or Jaypro Sports, for repair or replacement parts.
4. NEVER climb on, or allow anyone to climb on the frame or net.
5. When moving soccer goals, use adequate manpower (no less than two people) and use extreme care to ensure the corners of the goal are not overstressed. Do not tug on the backstays when attempting to move goals from side to side,
6. Always remove nets when goals are not in use.
7. Properly store goals when not in use or during the off-season, by disassembling, laying the goal on its face, placing goals face to face, or placing goal face first against a wall or fence.
8. Use of this equipment other than intended, may be hazardous.
9. Alteration or modification of this equipment may be hazardous and result in injury.

***** ASSEMBLY INSTRUCTIONS REQUIRES 3 PEOPLE *****

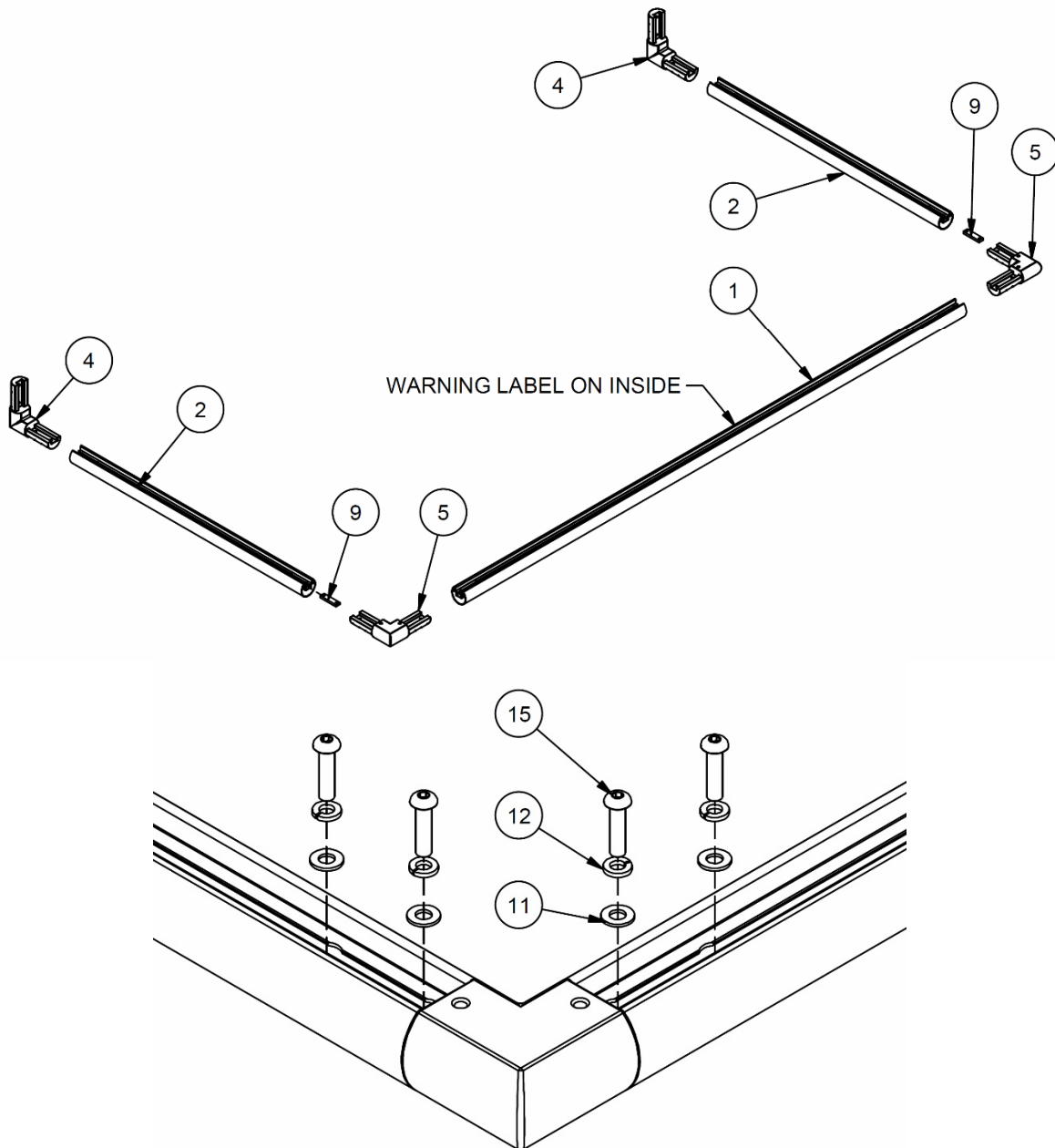
TOOLS REQUIRED:

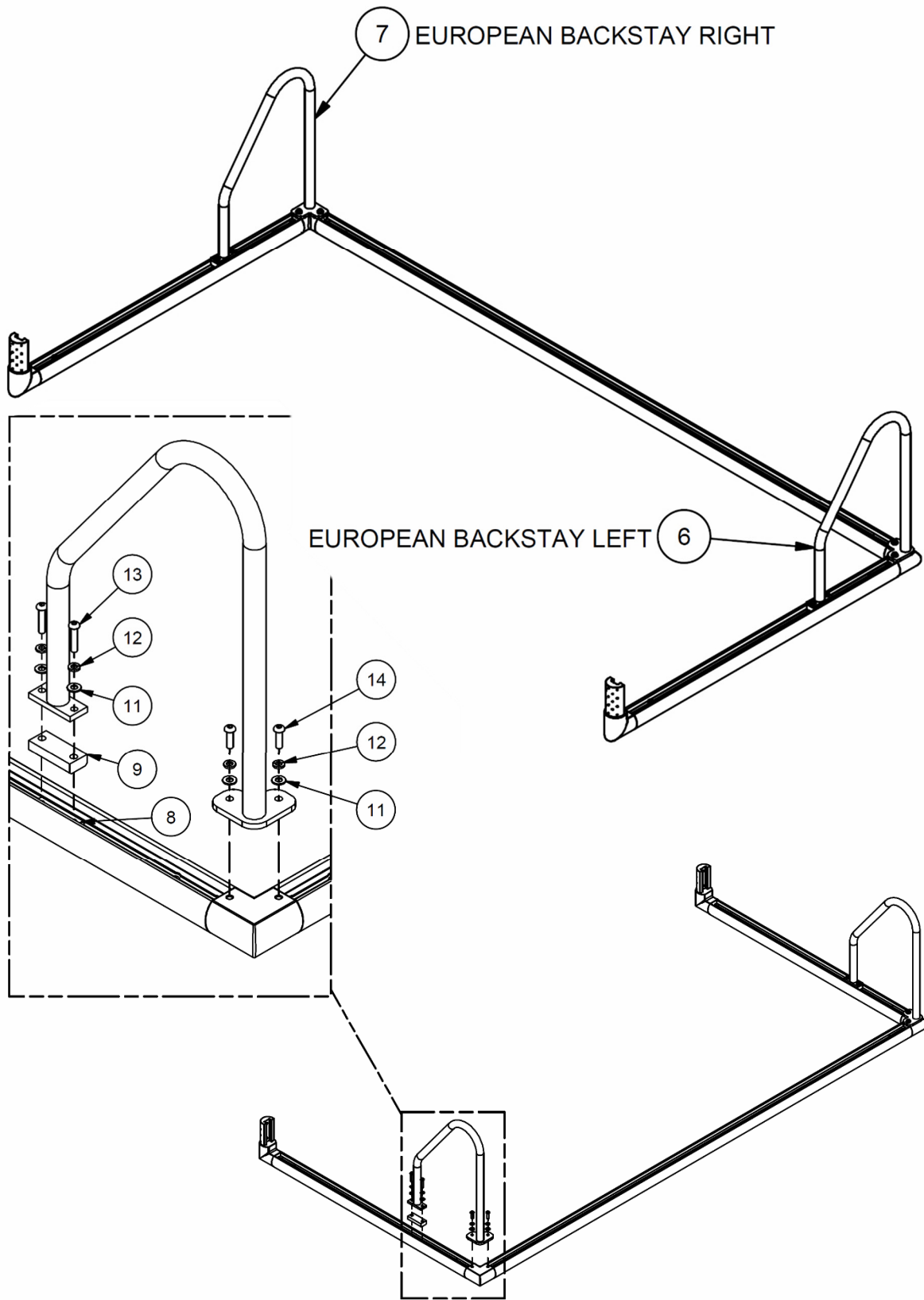
- (1) Socket Wrench with a 7/32" Hex Bit
- (1) 7/32" Hex Wrench *(Included in hardware kit)*
- (1) Rubber Mallet
- (1) Step Ladder

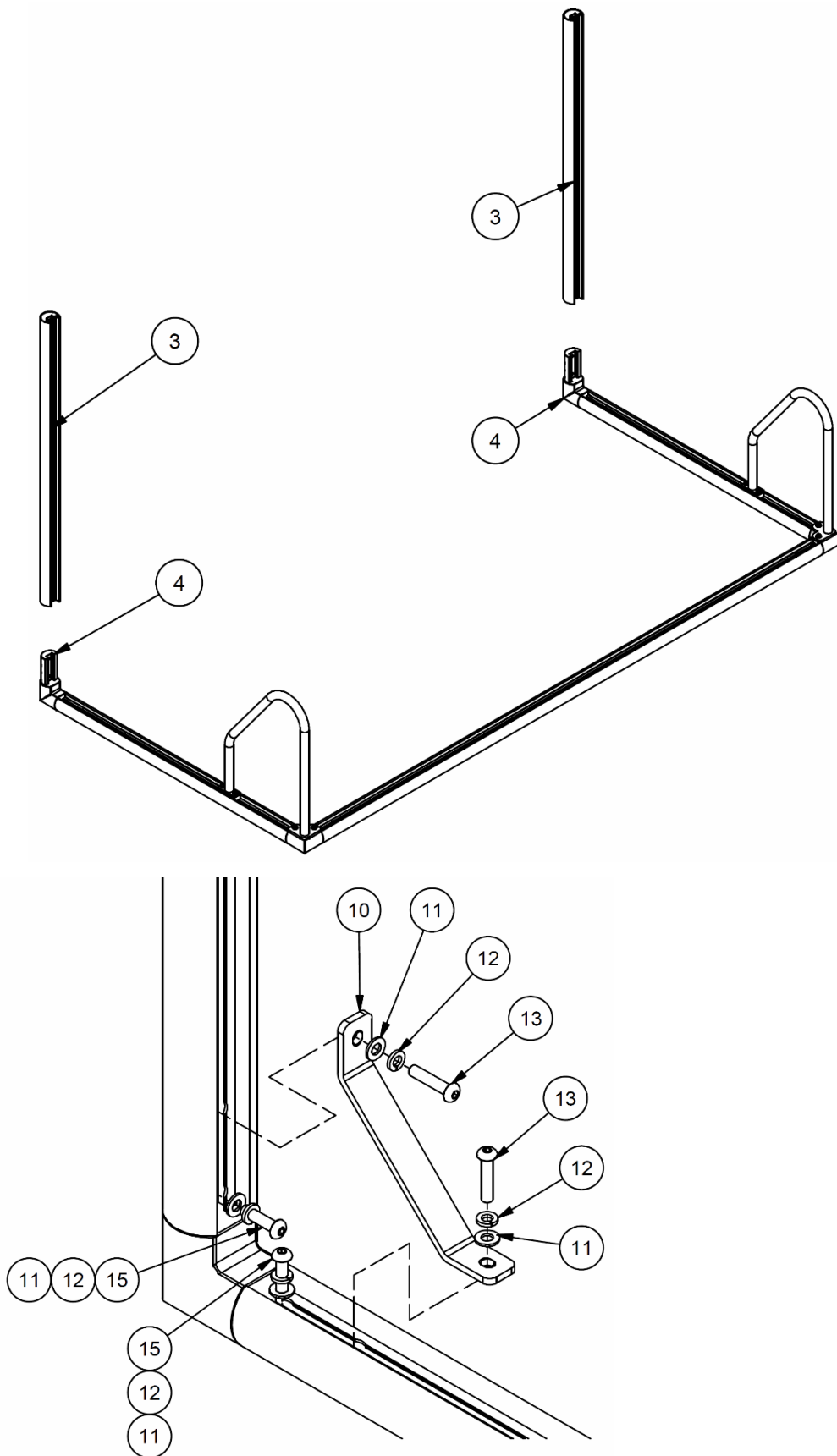
- Unpack all parts and check against parts list to ensure that all have been included.
- Inspect all parts for damage. Report any damages to the trucking company.

Front Goal Face Assembly:

1. Layout goal face components as shown. Insert a nut bar (9) into the upper end of each upright (2).
2. Insert both left & right uprights (1 & 2) into soccer cast corners (4 & 5).
3. Install hardware loosely, as shown.
4. Attach both European left & right backstays (6 & 7) onto the welded nut bar in both the uprights (1 & 2).
5. Install hardware loosely, as shown.

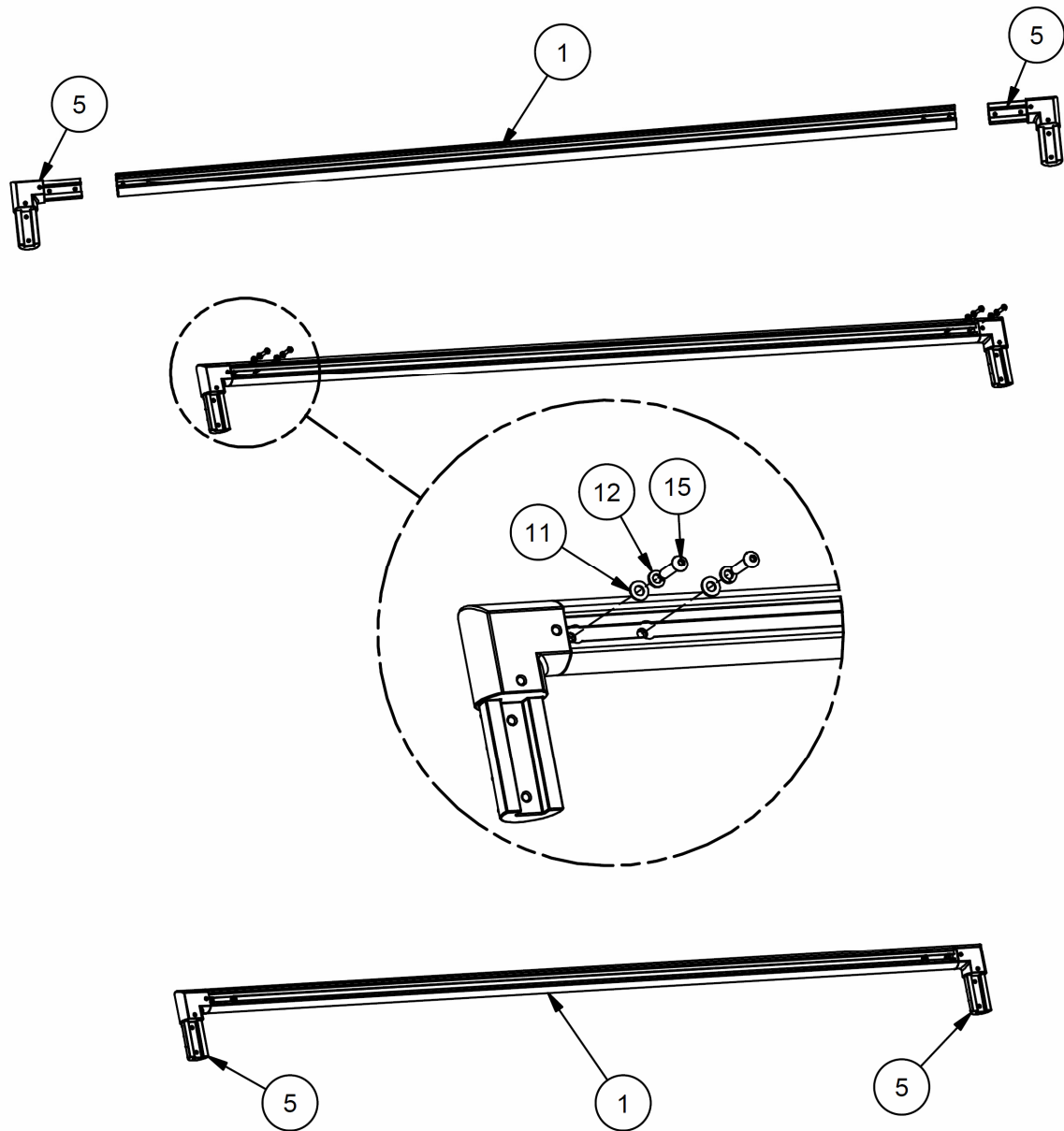






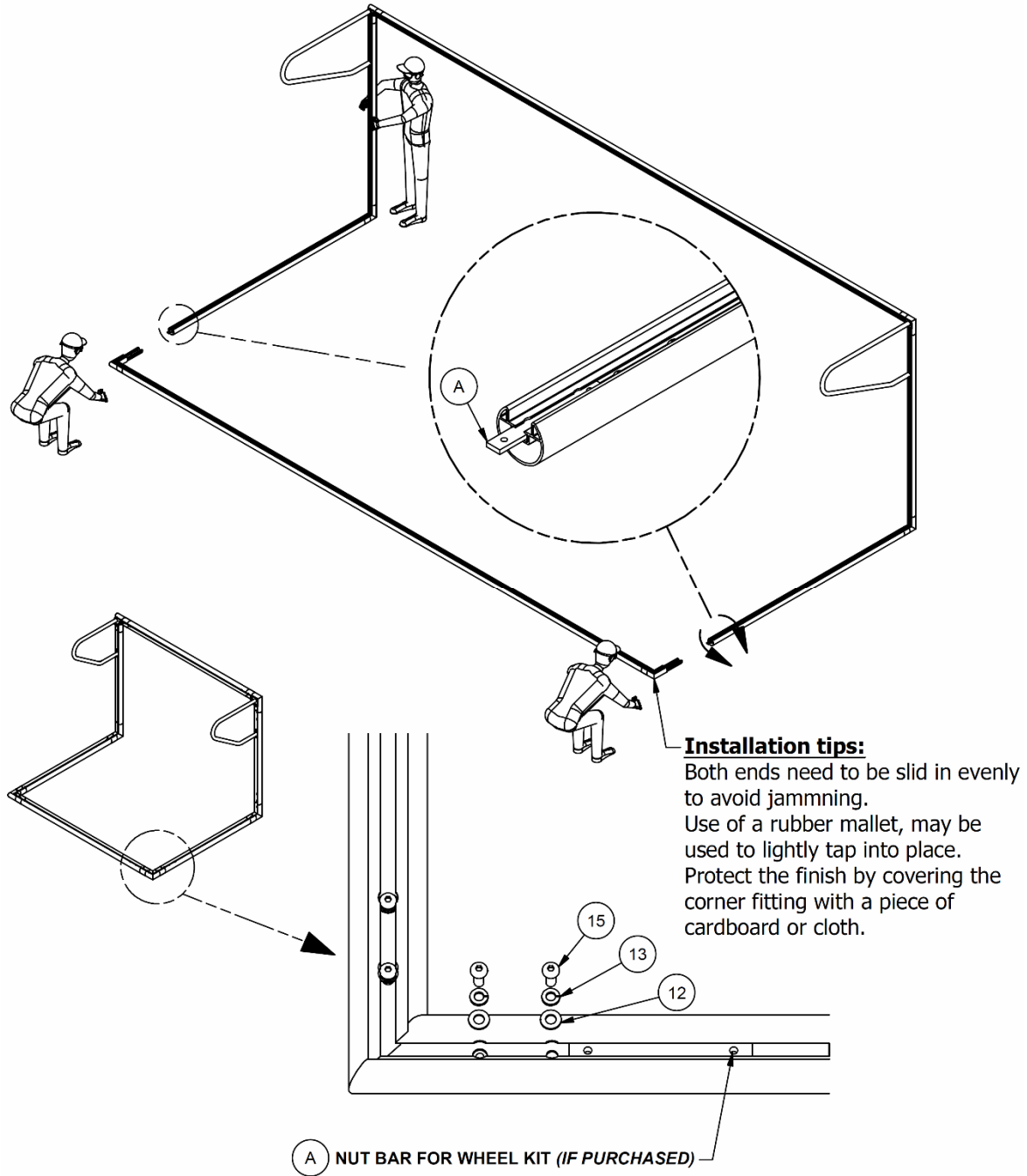
Bottom Goal Assembly:

1. Insert one lower corner fittings into each end of soccer crossbar.
2. Install hardware loosely, as shown.



Bottom Goal Assembly:

3. Stand front of soccer goal into the upright position.
 - a. **Note:** If wheel kit is to be installed, slide nut bars for wheel kit into each base member.



Safety / Warning Labels:

Safety and Warning labels, as required to meet ASTM Standards, are an important component to any soccer goal. Attach the appropriate product label (1.) according to the diagram on page 12.

Always inspect goals before each use to ensure that all labels are in place and legible. Contact your dealer or Jaypro Sports for replacement labels.

Label Placement Instructions:



See page 12 to identify the correct product label.

1. PLACE ON FRONT UPRIGHT NEAR BRACING SUPPORT

WARNING
DO NOT HANG ON CROSSBAR OR CLIMB ON NET OR FRAMEWORK
PART# LL1059 QTY: 1

2. PLACE ONTO THE UNDER SIDE OF THE CROSSBAR.

WARNING
NEVER CLIMB ON GOAL
GOAL CAN FALL OVER CAUSING SERIOUS INJURY OR DEATH
ALWAYS ANCHOR GOAL
Unsecured Goal Can Fall Over Causing Serious Injury or Death
FOR SAFE OPERATION AND CONTINUED HIGH PERFORMANCE FROM THIS EQUIPMENT, INSPECTION AND MAINTENANCE MUST BE PERFORMED BEFORE EACH USE.
PART# SL0035 QTY: 2

3. PLACE ON FRONT UPRIGHT NEAR BRACING SUPPORT BELOW "ASTM INFO" STICKER.

WARNING
THIS GOAL SHOULD BE EXACTLY ANCHORED AT ALL TIMES & THIS GOAL IS NOT TO BE TIPPED OR DISMANTLED. DO NOT CLIMB OR ALLOW ANOTHER USER TO CLIMB, OVER OR UNDER FRAMEWORK.
PART# LL1086 QTY: 2

NOTE:
1) APPLY ALL LABELS AS SHOWN.

WARNING
ALWAYS ANCHOR GOAL.
AN UNSECURED GOAL CAN TIP OVER CAUSING SERIOUS INJURY OR DEATH.
PART# LL1085 QTY: 4

5. PLACE ON FRONT & REAR SIDES AT BASE OF THE GOAL.

***FOR ADDITIONAL STICKERS*
CONTACT JAYPRO SPORTS**

PRODUCT LABEL IDENTIFICATION
 ATTACH THE APPROPRIATE PRODUCT LABEL ON EACH UPRIGHT AS SHOWN.

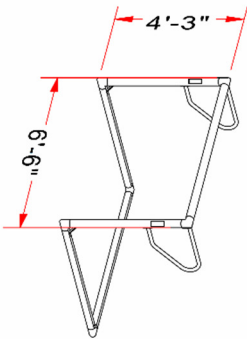
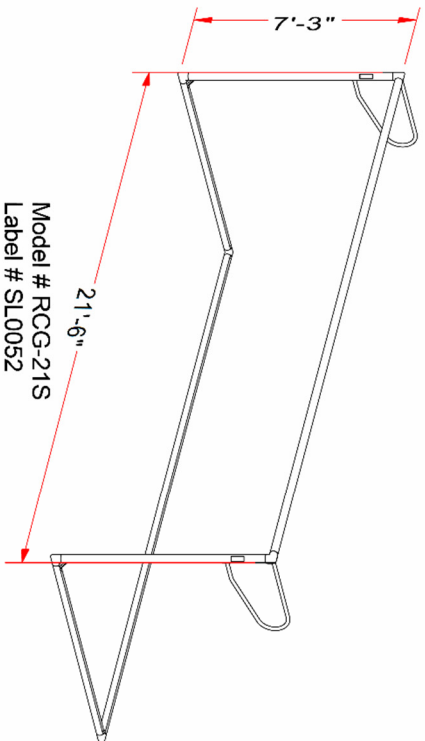
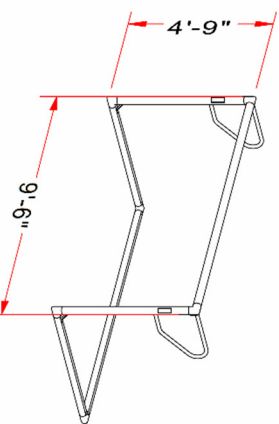
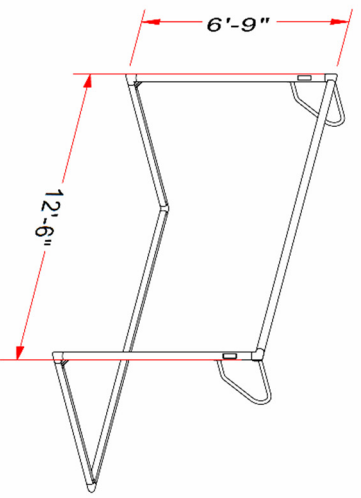
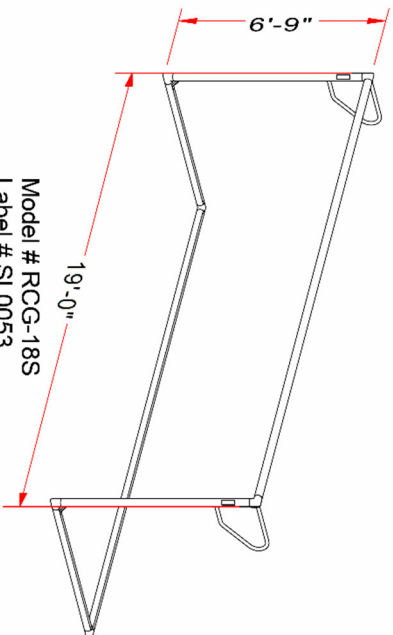
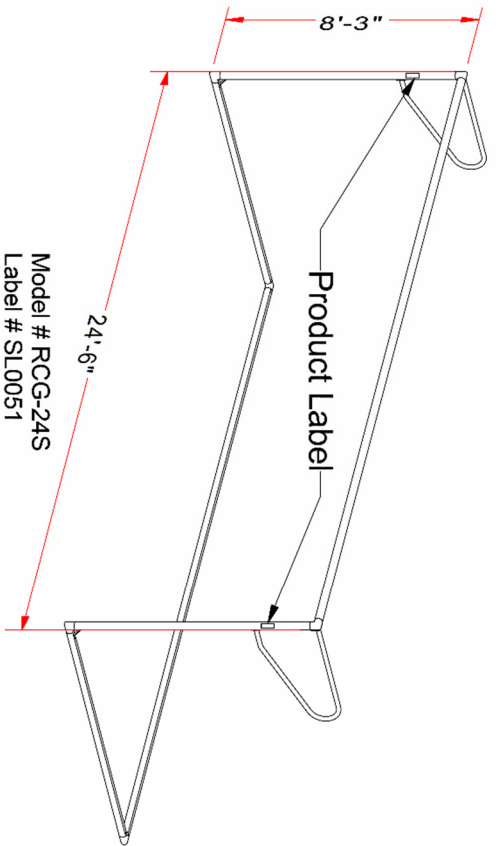
Model #:
 800-243-0533
 www.jaypro.com

THIS GOAL MEETS ALL SAFETY REQUIREMENTS OF:
 ASTM F2066 & ASTM F2973

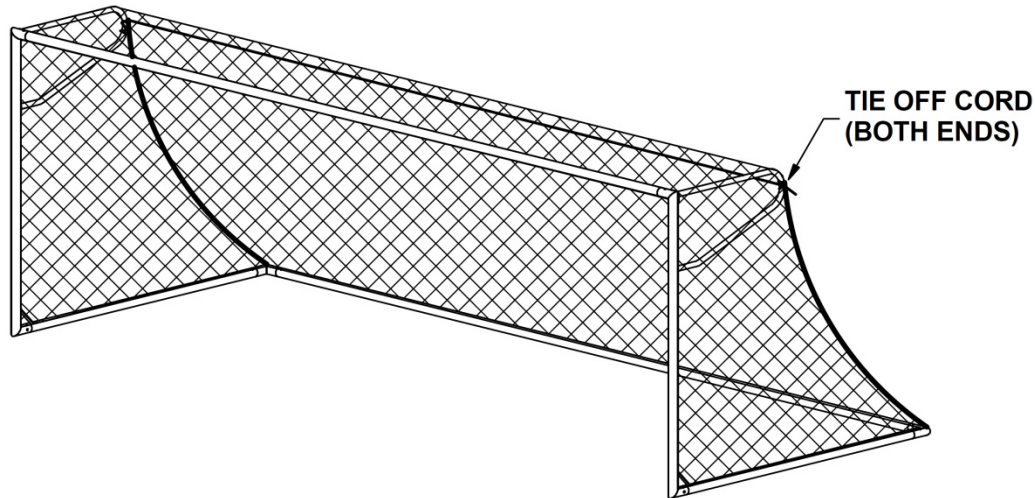
WHEN COUNTER BALANCE WEIGHT IS USED AS THE ONLY MEANS OF PREVENTING TIP-OVER, A MINIMUM OF 150 LBS. MUST BE PLACED ON THE REAR CROSSBAR. WEIGHT SHOULD BE DIVIDED EQUALLY AND PLACED NEAR EACH REAR CORNER. SEE MANUFACTURER'S INSTRUCTIONS FOR MORE DETAILS ON ANCHORING.

Match Model # to images as shown

LABEL #



Jaypro strongly recommends that all portable soccer goals be anchored, to prevent accidental tip-over and serious injury. Never climb, or allow anyone else to climb on the frame or net.



Final Adjustments:

- Checks to make sure the soccer goal frame is properly aligned and square. Securely tightened all button head and hex head hardware.
- With goal fully assemble attach the net using the “Easy Clip” net attachment system. Use a step ladder to attach the net to the crossbar. Once complete, move the goal into the final playing position.
- Anchor soccer goal frame (see section on Anchoring).

IMPORTANT NOTICE

The United States consumer product safety commission has adopted and published “Guidelines For Movable Soccer Goal Safety”. These guidelines offer information on the installation, use, and storage of full-size portable soccer goals and through these guidelines; it is the commission’s intent to help prevent serious injuries or death resulting from accidental soccer goal tip over.

Securely anchoring portable soccer goals, at all times, is one important and effective way to improve soccer goal safety. The proper selection of appropriate anchoring devices is dependent upon a number of factors and is unique to individual circumstances. Key elements to consider are:

- 1) Goal weight, inherent stability and type of construction;
- 2) Local field conditions and soil moisture content;
- 3) Expected usage level and overall degree of field supervision;
- 4) The need to relocate or remove the goal on a regular or continuing basis.

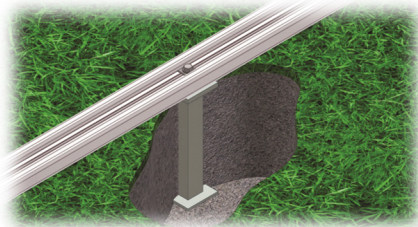
As a charter member of the **Coalition To Promote Soccer Goal Safety**, Jaypro endorses the efforts of the commission and others in this cause. Our trained sales staff is available to discuss the variety of goal anchors that we offer and to help you in making the best choice for your individual application.

Anchoring Systems:

IMPORTANT – PORTABLE SOCCER GOALS SHOULD BE ANCHORED AT ALL TIMES.

There are three categories of anchors suitable for securing soccer goals.

Semi-Permanent In-Ground Anchors: SGA-60



Semi-permanent in-ground anchors are the most secure type of anchor, as they are not dependent on soil conditions or subject to improper placement or dislodging. The anchor itself is permanently cemented into the ground and the goal is securely bolted onto it.

Portable In-Ground Anchors: SAS-95, SGA-91 & SS-18

There are three types of portable in-ground anchors. The type of anchor required is dependent upon the type of soil condition encountered. The effectiveness of these anchors is a function of style and length.

- Auger style anchors, 18” or longer, are used in loose and sandy soils.
- J-Hook Stake anchors, 18” or longer, are used in firm and compressed soil types; such as loams, which are a class of soil composed of varying mixtures of sand, silt and clay.
- Spike anchors, 18” or longer, are used in firm to tightly compacted soils, such as clays. These anchors are ¾” in diameter with serrated ends, and steel wire lanyard.



Auger
SAS-95

J-Hook
SGA-91

Spike
SS-18

Portable Surface Anchors: SWB-451, SGA-40 & SGA-50



SWB-451

SGA-40

SGA-50

Surface anchors are ideal for the newer synthetic surfaces or artificial fields, where an in-ground anchor is not feasible or desired. These types of anchors include sand bags, tethered anchor weights and sit upon anchor weights. These anchors are easy to use, but require consideration regarding the amount of weight used. The amount of counterweight necessary to meet the ASTM standards to prevent tipping is dependent on the size and geometry of the goal. The table below lists the amount of counterweight required for each goal. Counterweights should be placed upon the rear crossbar, located towards the two rear corners.

Portable Soccer Goal Required Counter Weights

Model #	Counter Weight	Label #
RCG-24S	150 lbs	SL0051
RCG-21S	170 lbs	SL0052
RCG-18S or RCG-12S	240 lbs	SL0053