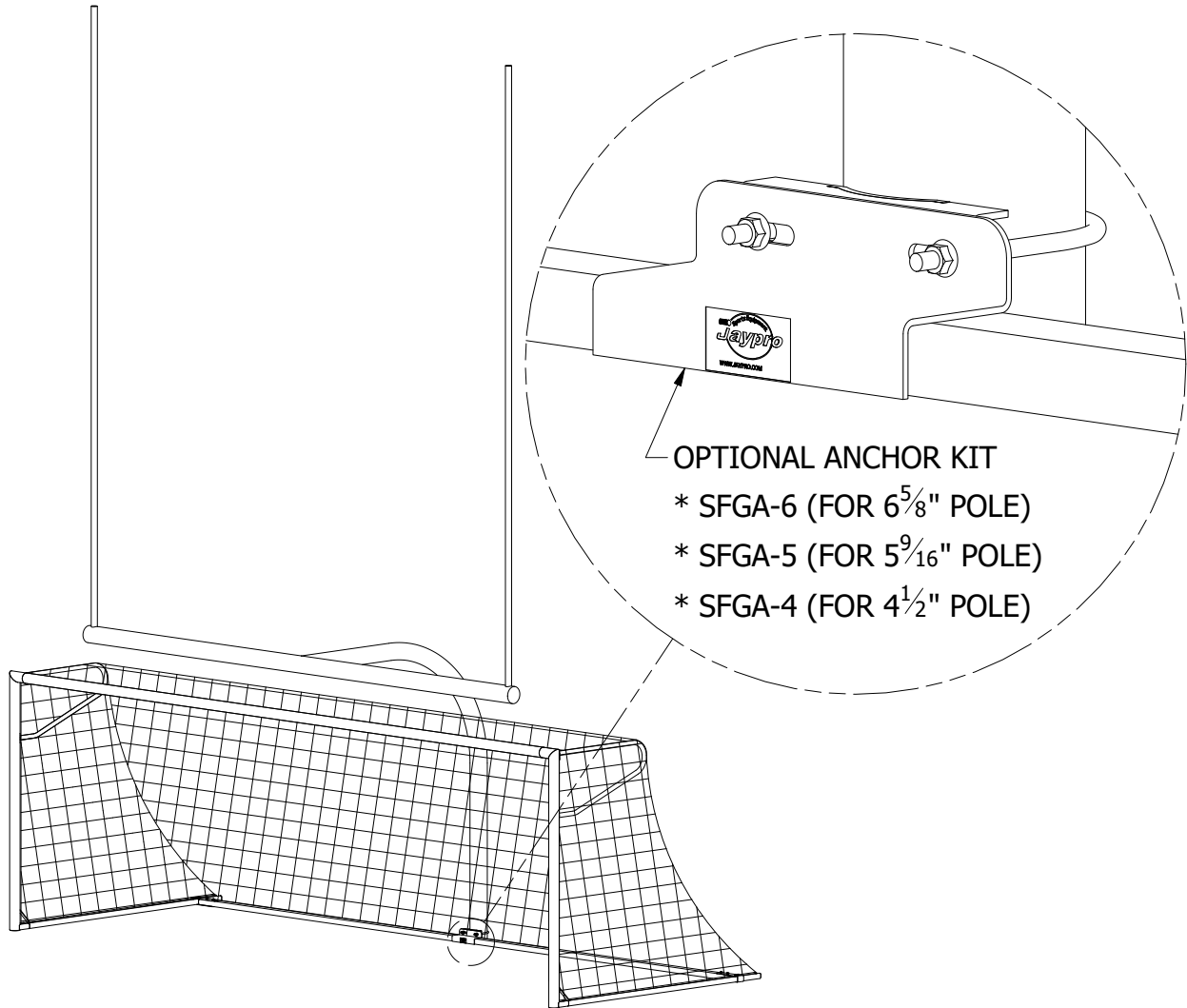




-- SGP-600AX --
(NOVA PREMIERE™ ADJUSTABLE)
Installation Instructions

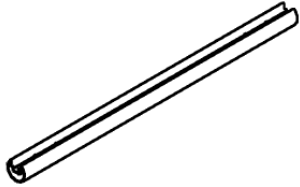
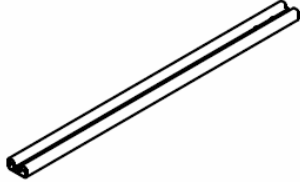
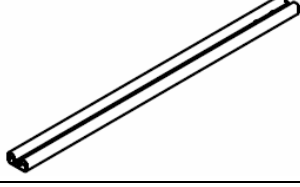
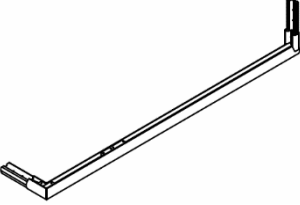
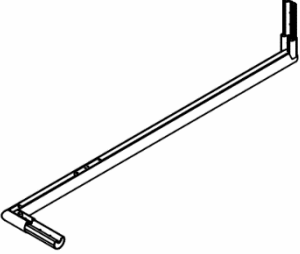
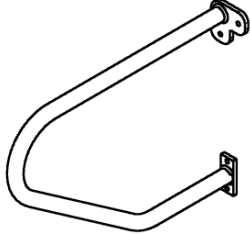


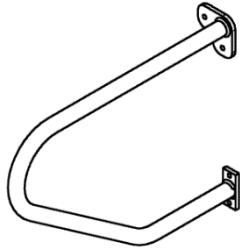
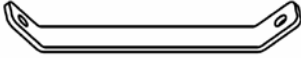

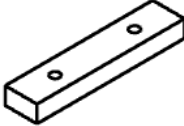

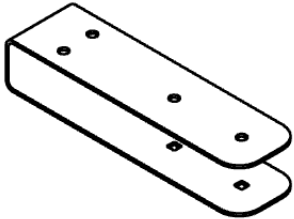



Ground anchors are recommended to meet High School and College regulations. Jaypro also strongly recommends ground anchors SFGA KIT.





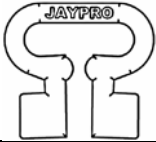


Call Jaypro Sports Equipment at 1-800-243-0533 during regular business hours for technical support.

www.jaypro.com

JAYPRO SPORTS
NOVA PREMIERE™ ADJUSTABLE
SGP-660AX (QTY: SINGLE GOAL)
(MAY BE PACKAGED IN PAIRS)

ITEM	IMAGE	DESCRIPTION	QTY
1		4" SOCCER CROSSBAR x 280" <i>P/N: SG-001X</i>	1
2		2" x 4" x 104" SOCCER BASE <i>P/N: SG-050B</i>	2
3		2" x 4" x 287" SOCCER REAR CROSSBAR <i>P/N: SG-049X</i>	1
4		4" SOCCER UPRIGHT RIGHT <i>P/N: SG-600USR</i>	1
5		4" SOCCER UPRIGHT LEFT <i>P/N: SG-600USL</i>	1
6		EUROPEAN BACKSTAY RIGHT <i>P/N: SG-EBS4R</i>	1
ITEM	IMAGE	DESCRIPTION	QTY

ITEM	IMAGE	DESCRIPTION	QTY
7		EUROPEAN BACKSTAY LEFT <i>P/N: SG-EBS4L</i>	1
8		SOCCER UPRIGHT BRACE <i>P/N: SGP-BRX</i>	2
9		3-1/4" LONG NUT BAR <i>P/N: AR5238</i>	2
10		6-1/2" LONG SPACER BLOCK <i>P/N: AR5239</i>	2
11		3-1/4" LONG SPACER BLOCK <i>P/N: AR5240</i>	2
12		BACKSTAY X-BAR BRACKET <i>P/N: AR5241</i>	2
13		3/8"-16 x 2 3/4" CARRIAGE BOLT, SS <i>P/N: HB5086</i>	4
14		3/8"-16 x 3/4" BUTTON HEAD, SS <i>P/N: HS5228</i>	4
15		3/8"-16 X 1 1/2" BUTTON HEAD, SS <i>P/N: HS5235</i>	4
ITEM	IMAGE	DESCRIPTION	QTY

ITEM	IMAGE	DESCRIPTION	QTY
16		3/8"-16 LOCK NYLON, SS P/N: <i>HN5003</i>	4
17		3/8"-16 x 1 1/4" BUTTON HEAD, SS P/N: <i>HS5225</i>	18
18		3/8" SPLIT LOCK WASHER, SS P/N: <i>HW2152</i>	26
19		3/8" FLAT SAE WASHER, SS P/N: <i>HW2151</i>	30
20		EASY TRACK NET CLIP 50/PKG P/N: <i>ENC-82450</i>	2
21		OFFICIAL SOCCER HEX NET WHITE PAIR P/N: <i>SN-HTTP-W</i>	1
22		J-HOOK STAKE SET OF 4 P/N: <i>SGA-91</i>	1

- Unpack all parts and check against parts list to ensure that all have been included.
- Inspect all parts for damage. Report any damages to the trucking company.

IMPORTANT NOTE:

The SGP-600AX official soccer goal with adjustable rear crossbar has been designed to fit completely under a football goalpost. It is highly recommended that the rear crossbar is securely anchored to the base of the goalpost using a suitable anchor kit.

OPTIONAL ANCHORS



Soccer / football anchor kit. Securely anchor your soccer goal to your football goal post. Fasten the crossbar of the soccer goal to the gooseneck. Protective lining on the bracket and hardware protects the finish on the goal post. SFGA-6 (6-5/8" OD) / SFGA-5 (5-9/16" OD) / SFGA-4 (4-1/2" OD)

IMPORTANT NOTICE:

- 1) BEFORE EACH USE CHECK EQUIPMENT FOR PROPER CONNECTING HARDWARE AND STRUCTURAL INTEGRITY. REPLACE DAMAGED OR MISSING HARDWARE IMMEDIATELY.
- 2) USE OF THIS EQUIPMENT OTHER THAN INTENDED MAY BE HAZARDOUS.
- 3) ALTERATION OR MODIFICATION OF THIS EQUIPMENT MAY BE HAZARDOUS AND RESULT IN INJURY. FOR REPAIR OR REPLACEMENT, CONTACT YOUR DEALER OR JAYPRO SPORTS.

***** ASSEMBLY INSTRUCTIONS REQUIRES 3 PEOPLE *****

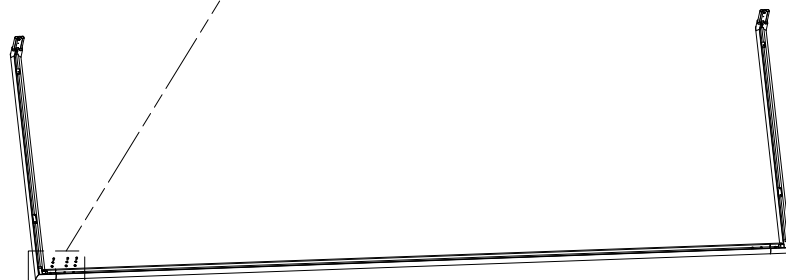
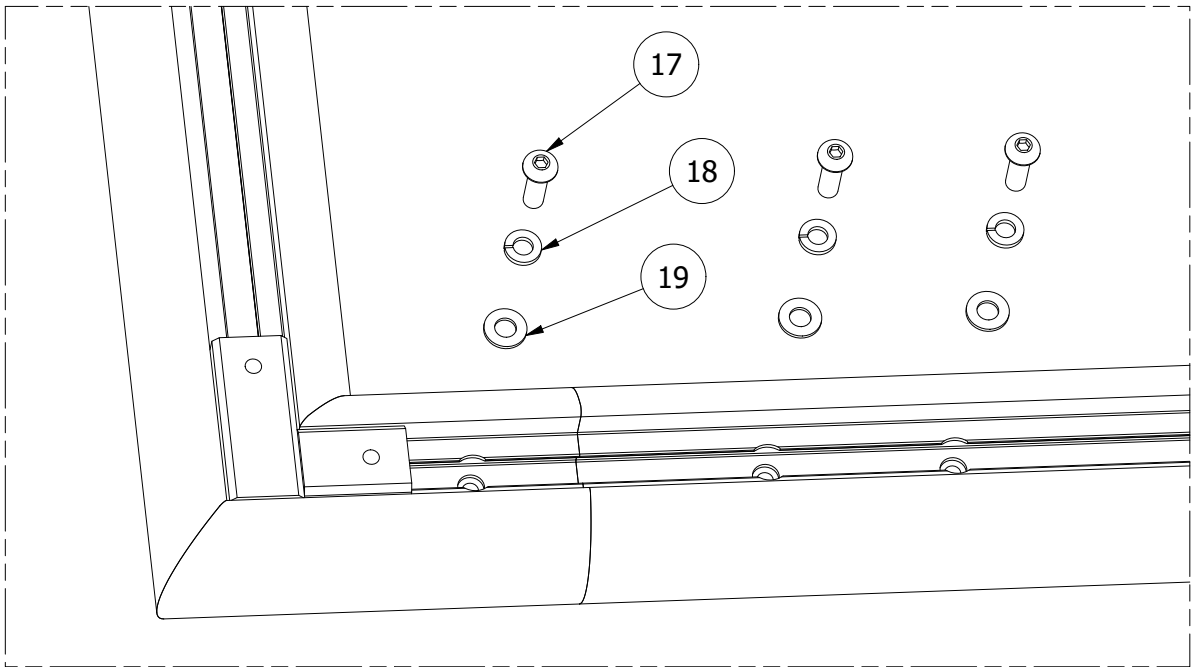
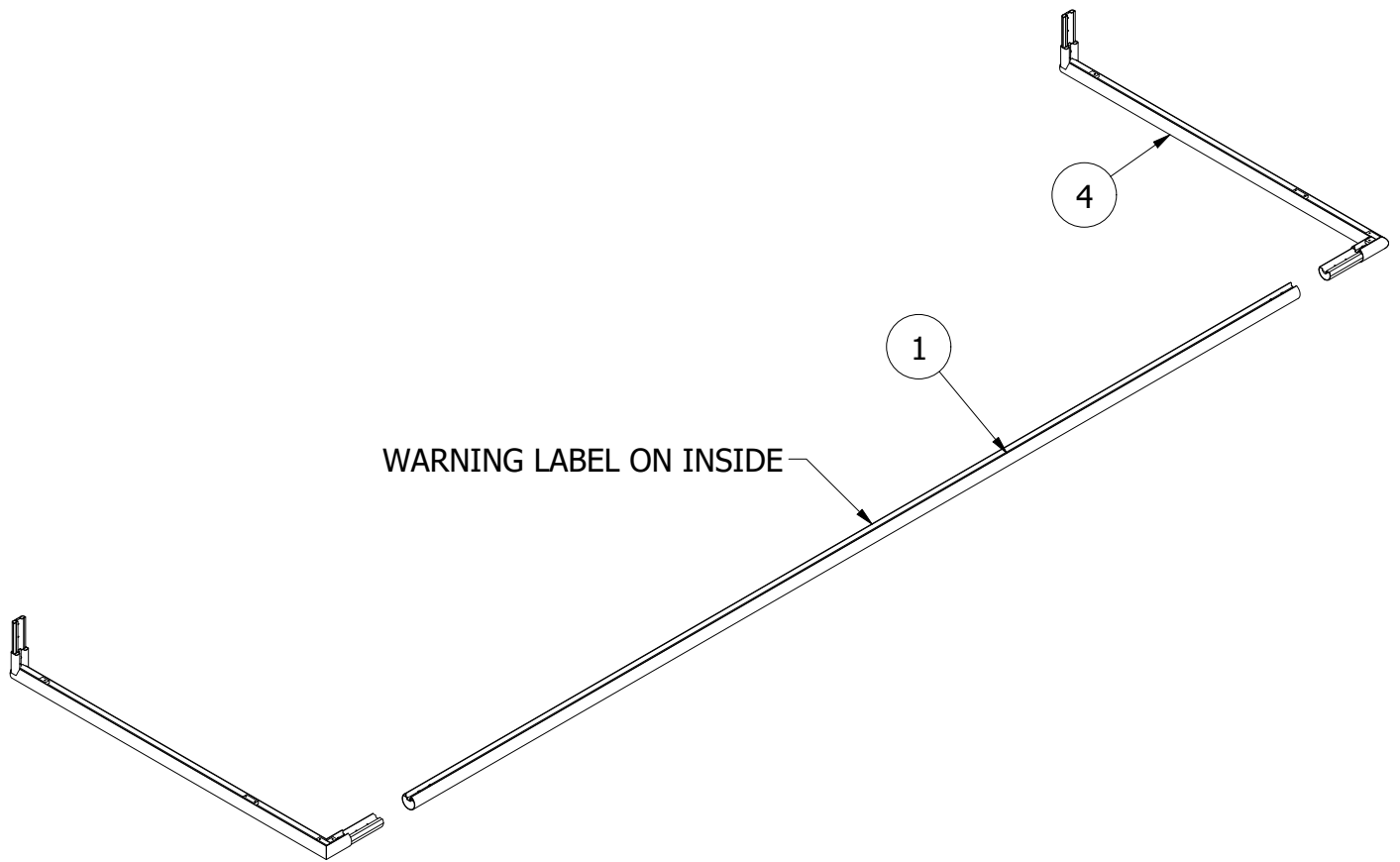
TOOLS REQUIRED:

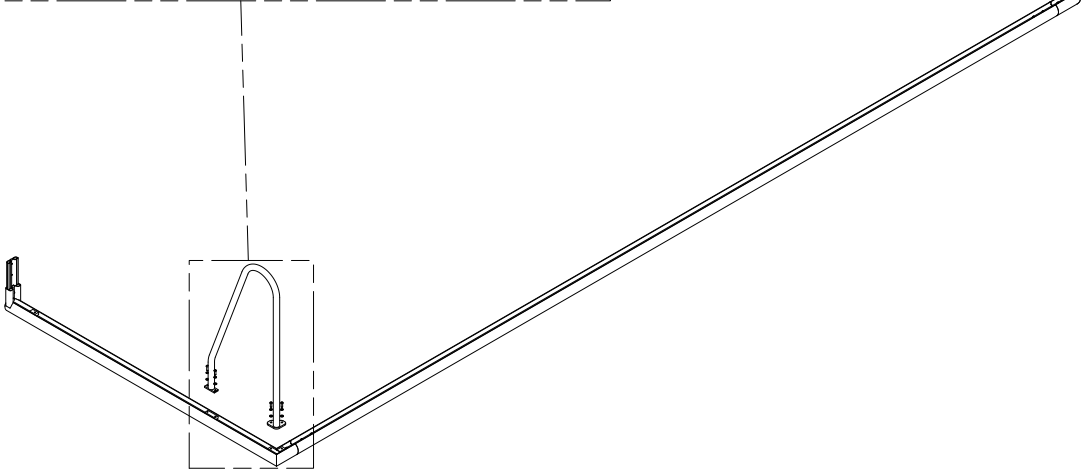
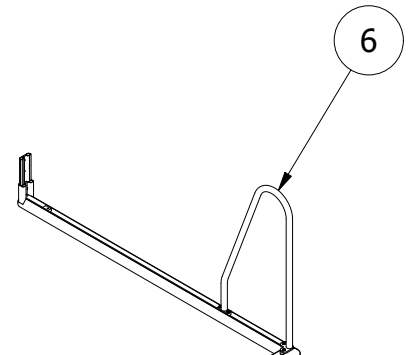
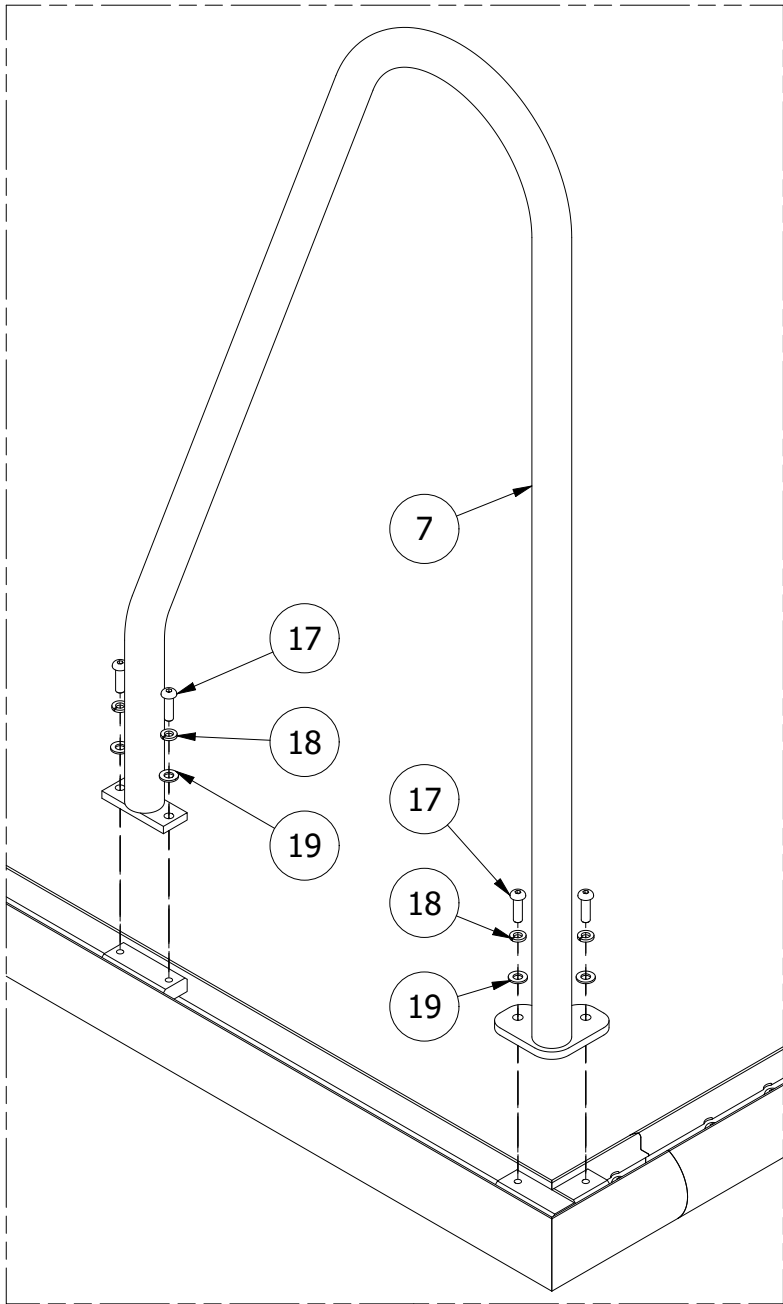
- (1) 9/16" Socket Wrench and Box Wrench
- (1) 7/32" Allen Wrench
- (1) Rubber Mallet
- (1) Step Ladder

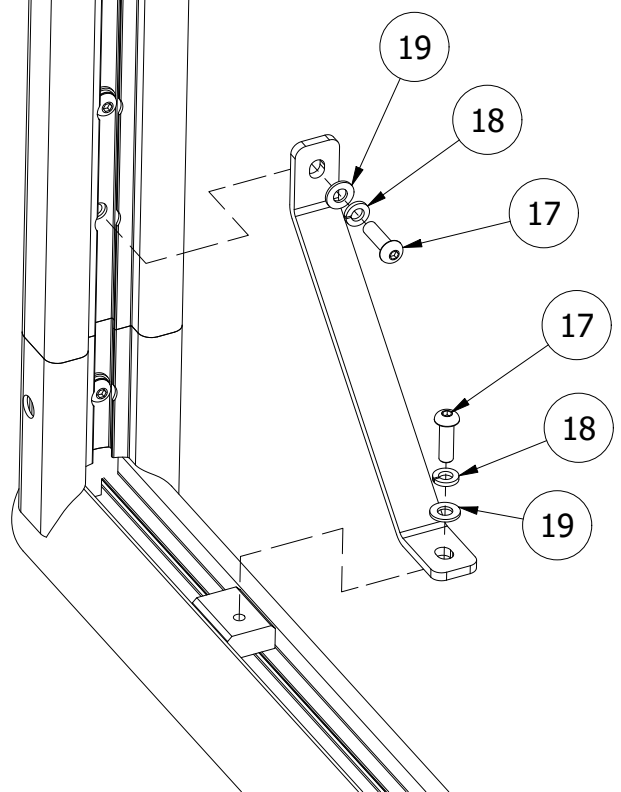
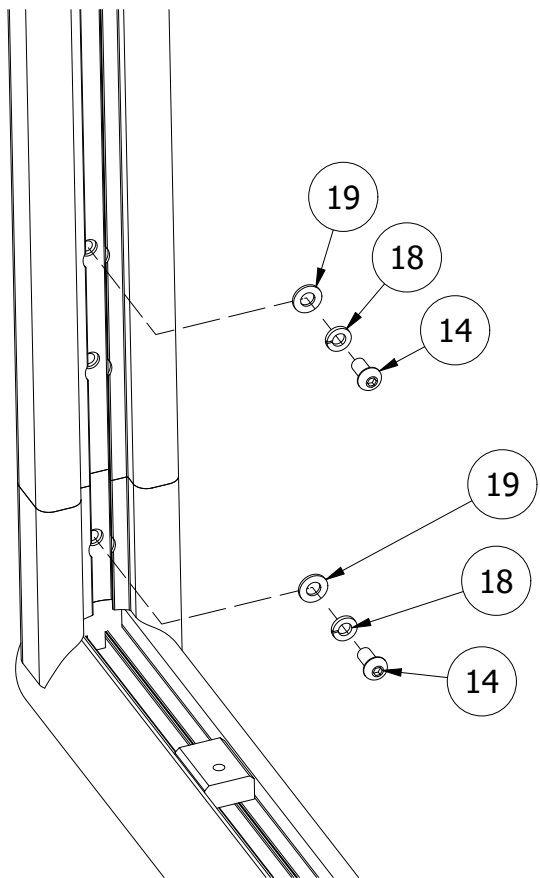
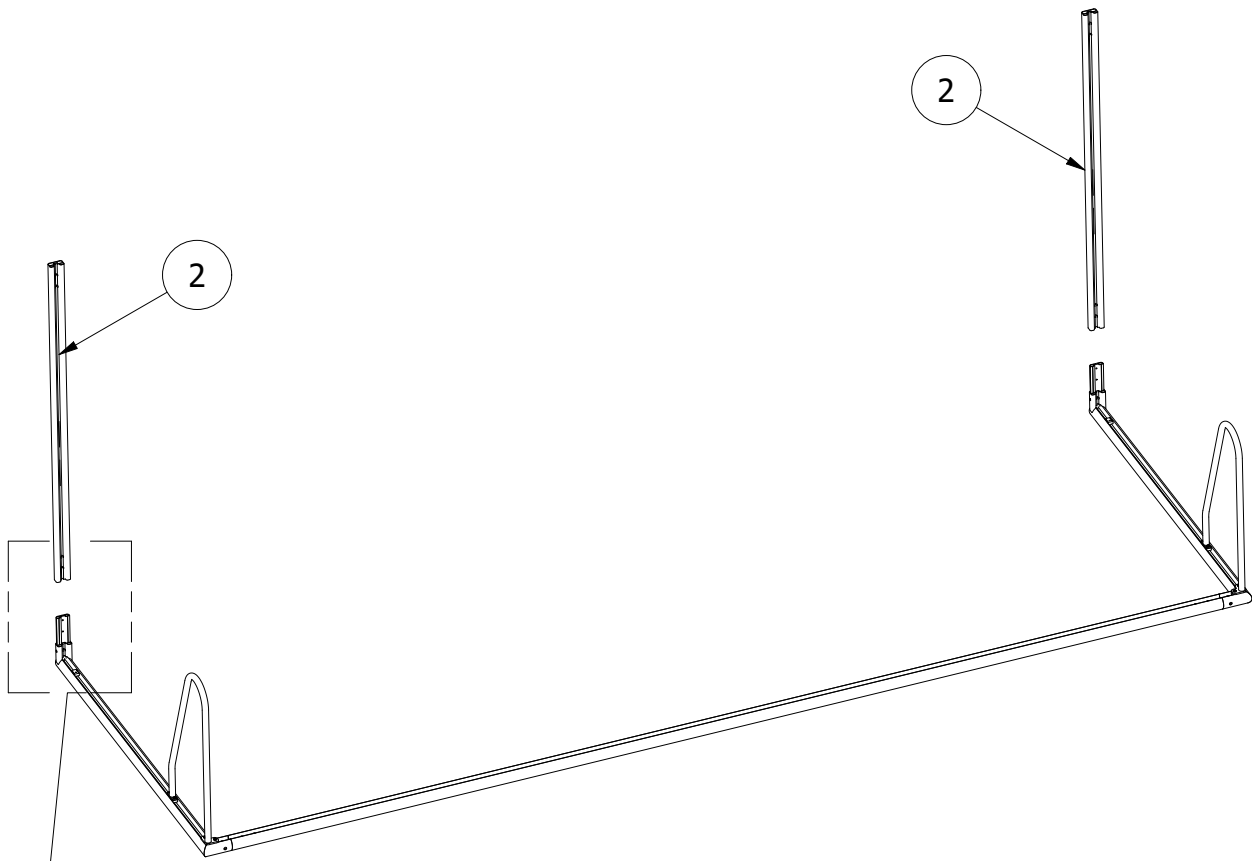
- Unpack all parts and check against parts list to ensure that all have been included.
- Inspect all parts for damage. Report any damages to the trucking company.

Front Goal Face Assembly:

1. Insert 4" crossbar x 280" long (1) into both left & right soccer uprights (4 & 5).
2. Install hardware loosely as shown.
3. Attach both European left & right backstays (6 & 7) on corner plate fittings as shown on uprights left & right (4 & 5).
4. Install hardware loosely as shown.
5. Insert 2" x 4" x 104" bases (2) into both left & right uprights (4 & 5).
6. Install hardware loosely as shown.
7. Align parts and tighten hardware.





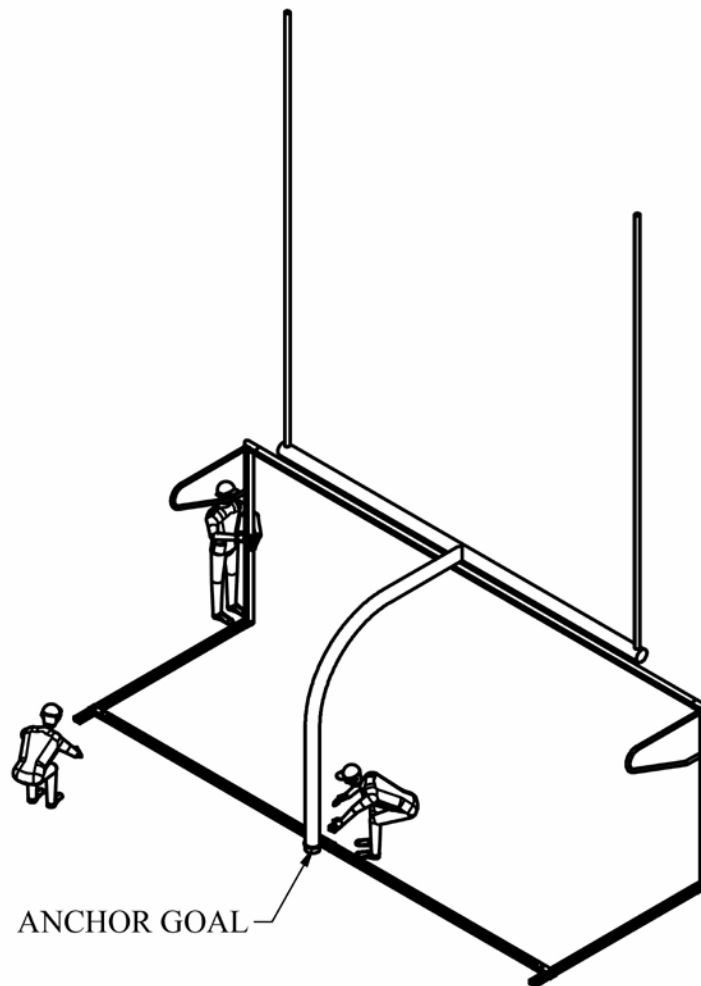


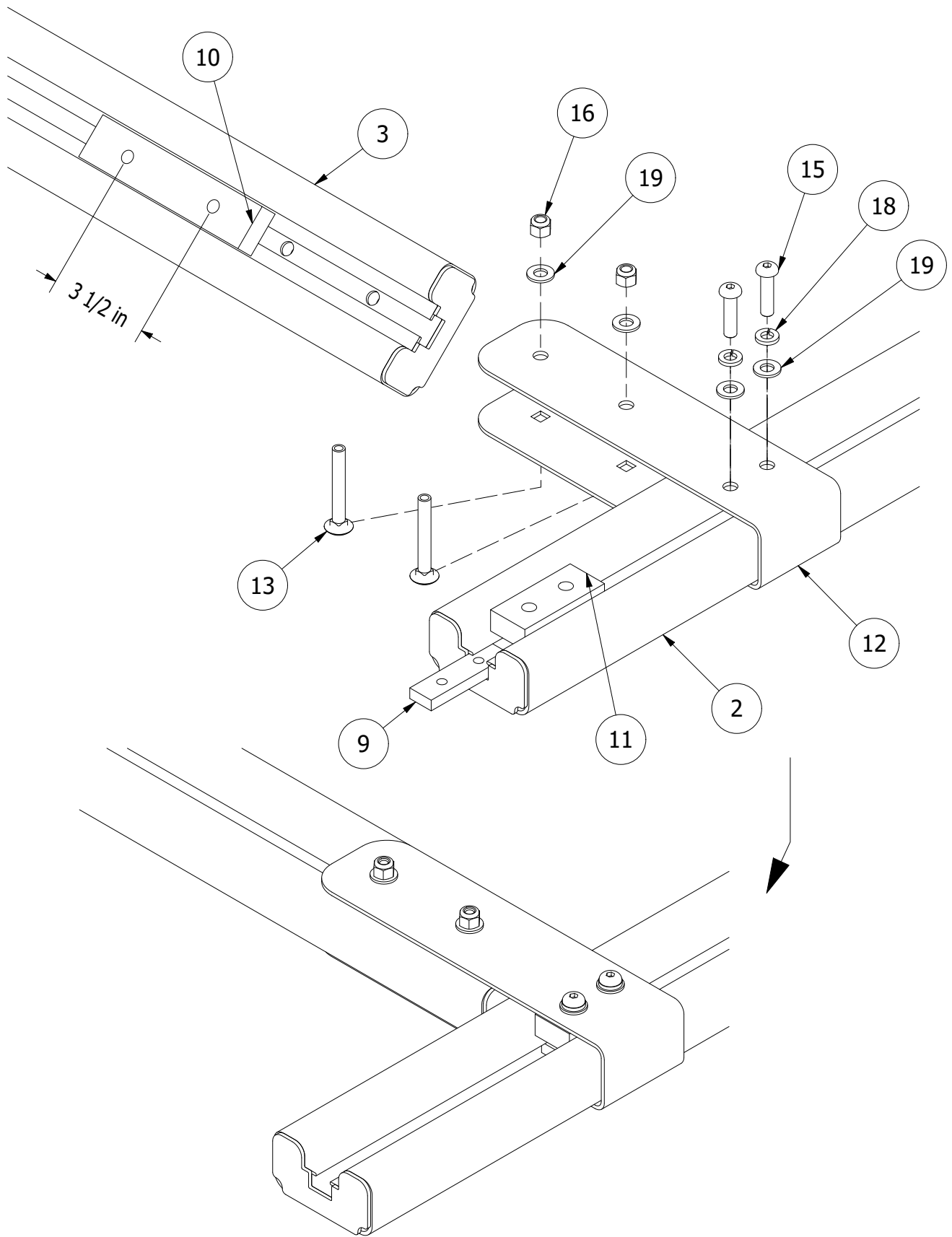
Bottom Goal Assembly:

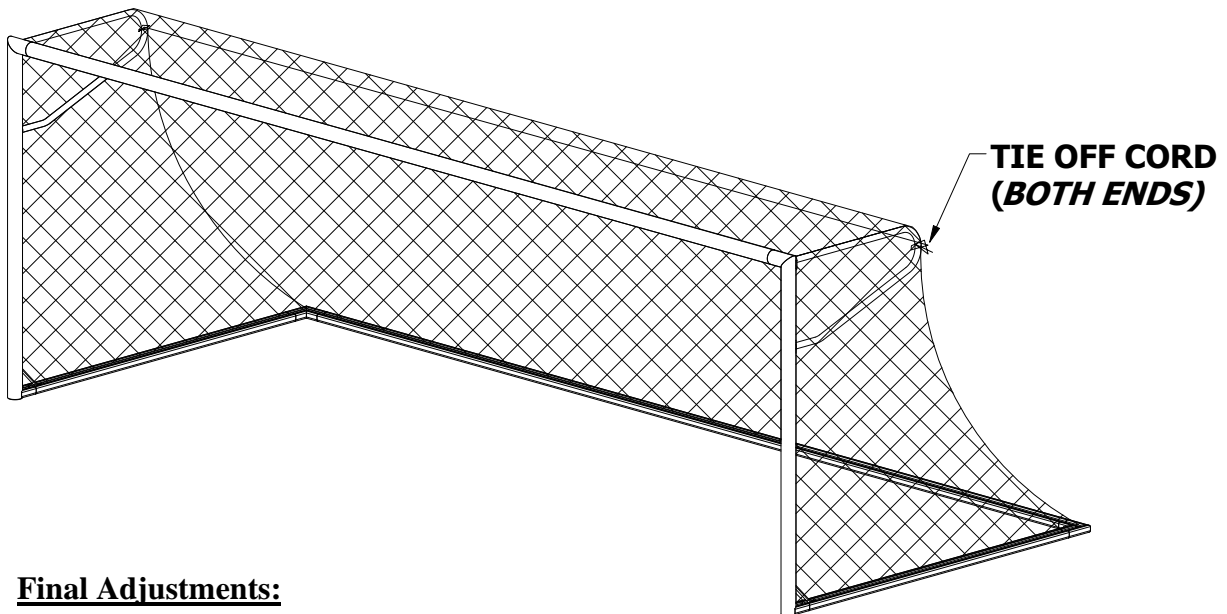
1. Stand front of soccer goal into the upright position. One person should securely hold the face of the goal in position.
 - a. **Note:** If the wheel kit is to be installed, slide the nut bars for the wheel kit into each base member.
2. Slide one 3-1/4" long nut bar (12) into each base member.
3. Assemble the rear soccer crossbar to the goal base member as shown and install hardware loosely.
4. Adjust the rear crossbar location as needed and secure the hardware.
5. Once parts are aligned tighten all hardware.

Anchor goal:

6. It is highly recommended that the rear crossbar be secured to the base of the goalpost with a soccer / football goal anchor kit. The correct SFGA kit depends on the size of the football gooseneck (see additional installation instructions for SFGA kit).







Final Adjustments:

- Check to make sure the soccer goal frame is properly aligned and square. Securely tighten all button head and hex head hardware.
- With the goal fully assembled, attach the net using the “*Easy Clip*” net attachment system. Use a step ladder to attach the net to the crossbar. Once complete, move the goal into the final playing position.
- Anchor soccer goal frame (SGA-91 included, see section on anchoring).

IMPORTANT NOTICE

The United States consumer product safety commission has adopted and published “*Guidelines For Movable Soccer Goal Safety*”. These guidelines offer information on the installation, use, and storage of full-size portable soccer goals and through these guidelines; it is the commission’s intent to help prevent serious injuries or death resulting from accidental soccer goal tip over.

Securely anchoring portable soccer goals, at all times, is one important and effective way to improve soccer goal safety. The proper selection of appropriate anchoring devices is dependent upon a number of factors and is unique to individual circumstances. Key elements to consider are:

- 1) Goal weight, inherent stability and type of construction;
- 2) Local field conditions and soil moisture content;
- 3) Expected usage level and overall degree of field supervision;
- 4) The need to relocate or remove the goal on a regular or continuing basis.

As a charter member of the **Coalition To Promote Soccer Goal Safety**, Jaypro endorses the efforts of the commission and others in this cause. Our trained sales staff is available to discuss the variety of goal anchors that we offer and to help you in making the best choice for your individual application.

Safety / Warning Labels:

Safety and Warning labels, as required to meet ASTM Standards, are an important component to any soccer goal. Place labels according to the diagram below. Always inspect goals before each use to ensure that all labels are in place and legible. Contact your dealer or Jaypro Sports for replacement labels.

Label Placement Instructions:



PART# LL1059 QTY: 1

1. PLACE ONTO THE UNDER SIDE OF THE CROSSBAR.



*APPLIED BY JAYPRO QTY: 2
NOTE: MODEL # MAY DIFFER

2. PLACE ON SIDE UPRIGHT NEAR BRACING SUPPORT



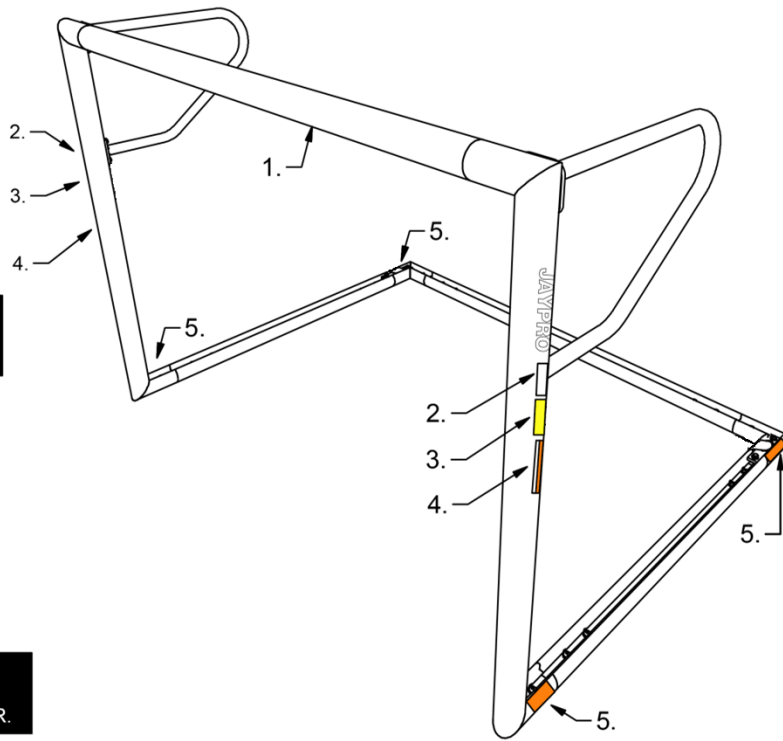
PART# SL0035 QTY: 2

3. PLACE ON SIDE UPRIGHT NEAR BRACING SUPPORT BELOW "ASTM INFO" STICKER.



PART# LL1086 QTY: 2

4. PLACE ON SIDE UPRIGHT NEAR BRACING SUPPORT BELOW "NEVER CLIMB" STICKER.



NOTE:
1) APPLY ALL LABELS AS SHOWN.
2) OFFICIAL RULES DO NOT ALLOW LABELS ON GOAL FACE.



PART# LL1085 QTY: 4

5. PLACE ON FRONT & REAR SIDES AT BASE OF THE GOAL.

***FOR ADDITIONAL STICKERS*
CONTACT JAYPRO SPORTS**

Anchoring Systems:

IMPORTANT – PORTABLE SOCCER GOALS SHOULD BE ANCHORED AT ALL TIMES.

There are three categories of anchors suitable for securing soccer goals.

Semi-Permanent In-Ground Anchors: SGA-60



Semi-permanent in-ground anchors are the most secure type of anchor, as they are not dependent on soil conditions or subject to improper placement or dislodging. The anchor itself is permanently cemented into the ground and the goal is securely bolted onto it.

Portable In-Ground Anchors: SAS-95, SGA-91 & SS-18

There are three types of portable in-ground anchors. The type of anchor required is dependent upon the type of soil condition encountered. The effectiveness of these anchors is a function of style and length.

- Auger style anchors, 18” or longer, are used in loose and sandy soils.
- J-Hook Stake anchors, 18” or longer, are used in firm and compressed soil types; such as loams, which are a class of soil composed of varying mixtures of sand, silt and clay.
- Spike anchors, 18” or longer, are used in firm to tightly compacted soils, such as clays. These anchors are 3/4” in diameter with serrated ends, and steel wire lanyard.



Auger
SAS-95

J-Hook
SGA-91

Spike
SS-18

Portable Surface Anchors: SWB-451, SGA-51 & SGA-50



SGA-50

SGA-51

SWB-451

Surface anchors are ideal for the newer synthetic surfaces or artificial fields, where an in-ground anchor is not feasible or desired. These types of anchors include sand bags, tethered anchor weights and sit upon anchor weights. These anchors are easy to use, but require consideration regarding the amount of weight used. The amount of counterweight necessary to meet the ASTM standards to prevent tipping is dependent on the size and geometry of the goal. The table below lists the amount of counterweight required for each goal. Counterweights should be placed upon the rear crossbar, located towards the two rear corners.